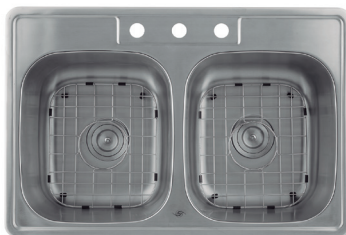




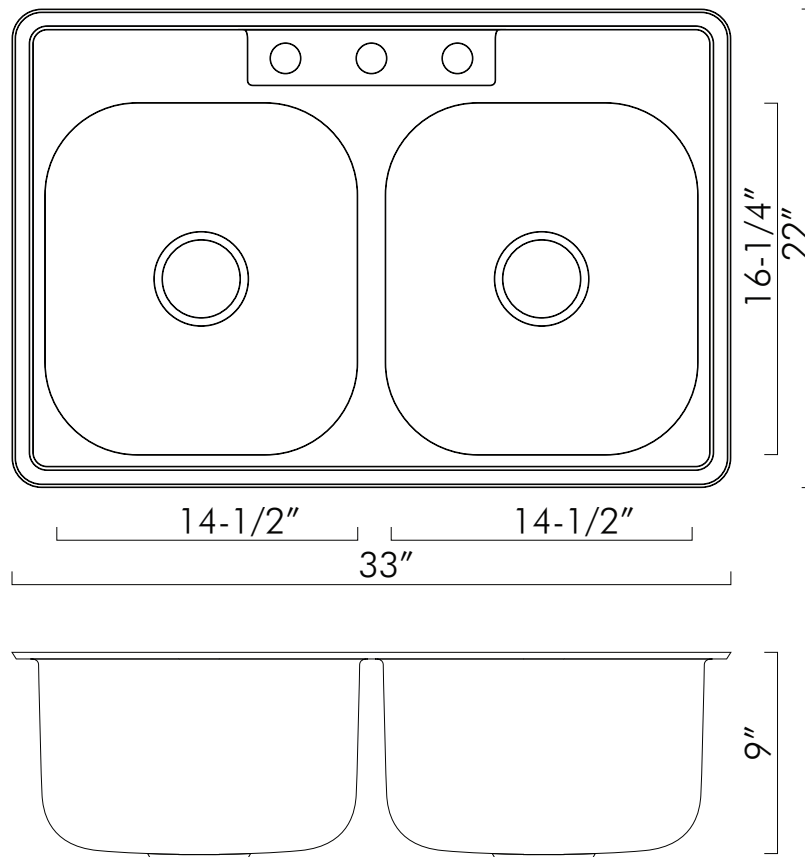
KA-OM3322



TOP MOUNT KITCHEN SINKS **SERIES**



www.daxib.com



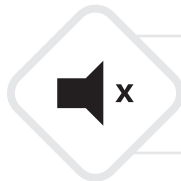
FEATURES

- Pressed sink
- Overmount
- 304 Stainless Steel
- 20 gauge
- Brushed Stainless Steel
- Size W 33" x H 22" x D 9"
- Standard 3-1/2" drain opening
- Undercoated and sound pads
- Mounting clips

ACCESSORIES

- Bottom grid not included (available)
- Stainless steel basket strainer not included (available)
- Stainless steel standard strainer not included (available)
- Dish rack not included (available)
- Grey silicone dish rack not included (available)





**TOP QUALITY
SOUNDPROOFING**

Thick rubber dampening pads absorb vibration and noise, ensuring quieter use.



**PROTECTIVE
UNDERCOATING**

Commercial-grade non-toxic undercoating provides extra soundproofing and prevents condensation buildup in the base cabinet

HANDMADE
BY ARTISANS

UNIQUELY
HAND CRAFTED
BY ARTISANS

**x SOUND
DAMPENING**

EXTRA-THICK
3 mm
RUBBER PADS

20G
THICK STEEL

DURABLE
1.2 mm STEEL
CONSTRUCTION

PREMIUM GRADE
304

18% CHROMIUM
10% NICKEL
COMPOSITION

HIGH QUALITY
DAX
WARRANTY
PRODUCTS

CONSULTING
AT **DAXIB.COM**





KITCHEN SINK **KA-OM3322**

MODEL	KA-OM3322
INNER BASIN WIDTH (in)	14-1/2" - 14-1/2"
INNER BASIN HEIGHT (in)	16-1/4"
HEIGHT	22"
DEPTH	9"
WIDTH	33"
BOTTOM GRIDS INCLUDED	No
BASIN SPLIT	50/50
BASKET STRAINER INCLUDED	No
COLANDER INCLUDED	No
DRAIN CONNECTION	3-1/2"
DRAIN PLACEMENT ON LEFT INNER	Center
DRAIN PLACEMENT ON RIGHT INNER	Center
FARMHOUSE	No
FAUCET HOLES	3
GAUGE	20
INSTALLATION TYPE	Overmount
MATERIAL	304 Stainless Steel
MINIMUM CABINET SIZE	X
MOUNTING HARDWARE INCLUDED	Yes
NUMBER OF BASINS	2
PRODUCT WEIGHT	22.0198 lb
SINK SHAPE	Rectangle
SOUND DAMPENING	Yes
STAINLESS STEEL GRADE	304
UPC APPROVED	Yes
SINK FINISH TYPE	Brushed Stainless Steel

For parts or sale requirements please contact our customer service department:



CS@daxib.com



1 888 685 8236

