



KA-2318R10



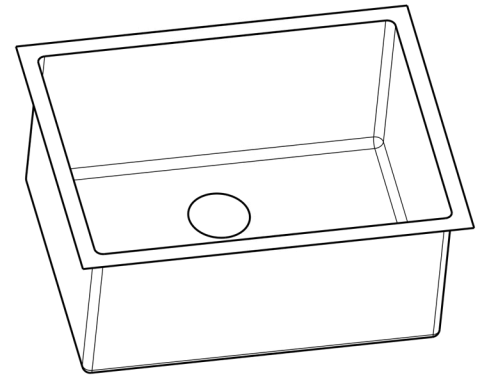
UNDERMOUNT KITCHEN SINKS **SERIES**



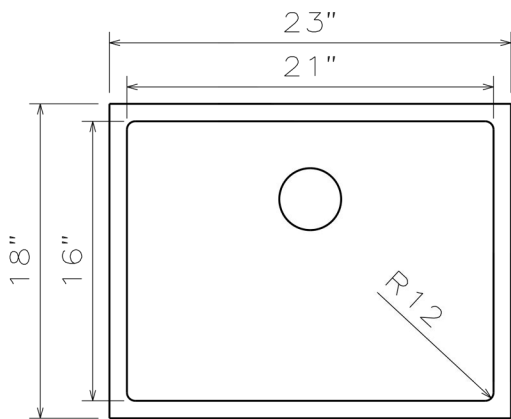
KA-2318R10



Section view A-A
Scale: 1:8



Isometric view
Scale: 1:8



Front view
Scale: 1:8

FEATURES

- Handmade sink
- 10 mm radius corner
- Undermount
- 304 Stainless Steel
- 18 gauge
- Brushed Stainless Steel
- Size W 23" x H 18" x D 10"
- Standard 3-1/2" drain opening
- Undercoated and sound pads
- Mounting clips and cutting template

ACCESSORIES


- Bottom grid included
- Stainless steel standard strainer included



KITCHEN SINK KA-2318R10

MODEL	KA-2318R10
INNER BASIN DEPTH (in)	X
INNER BASIN WIDTH (in)	X
INNER BASIN HEIGHT (in)	X
HEIGHT	18"
DEPTH	10"
WIDTH	23"
BOTTOM GRID INCLUDED	Yes
BASIN SPLIT	No
BASKET STRAINER INCLUDED	No
COLANDER INCLUDED	No
DRAIN CONNECTION	3-1/2"
DRAIN PLACEMENT	Center
FARMHOUSE	No
FAUCET HOLES	No
GAUGE	18
INSTALLATION TYPE	Undermount
MATERIAL	Stainless Steel
MINIMUM CABINET SIZE	X
MOUNTING HARDWARE INCLUDED	No
NUMBER OF BASINS	1
SINK SHAPE	Rectangular
SOUND DAMPENING	No
STAINLESS STEEL GRADE	304
UPC APPROVED	No
SINK FINISH TYPE	Brushed

For parts or sale requirements please contact our customer service department:

 CS@daxib.com

 1 888 685 8236