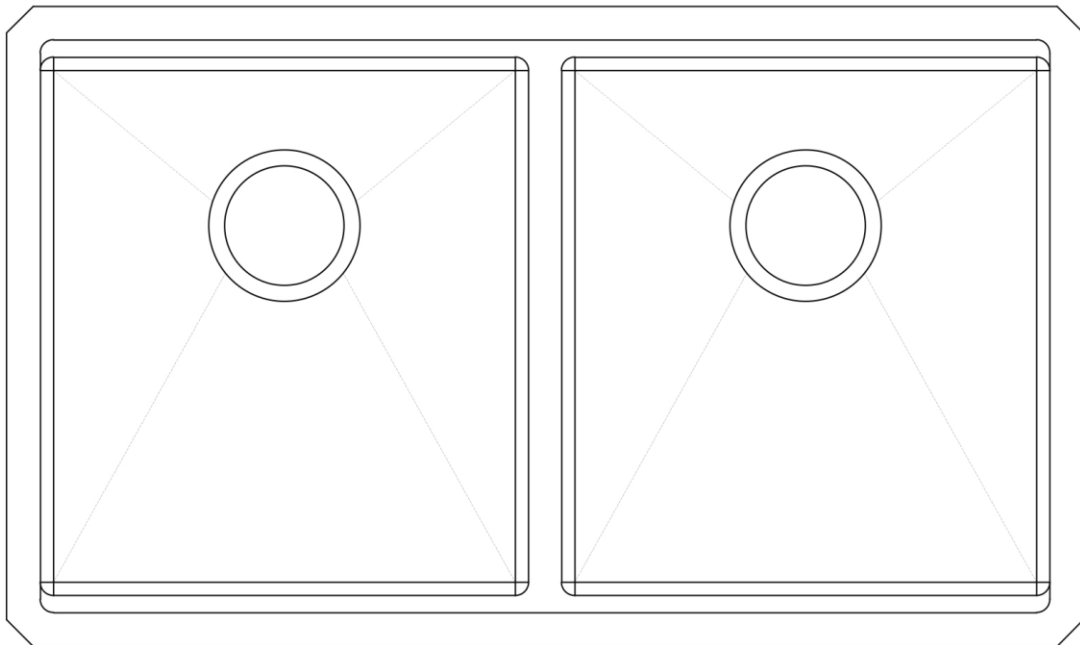




**DOUBLE BOWL UNDER MOUNT
KITCHEN SINK**

DX-4820-R10



Purchase Date _____



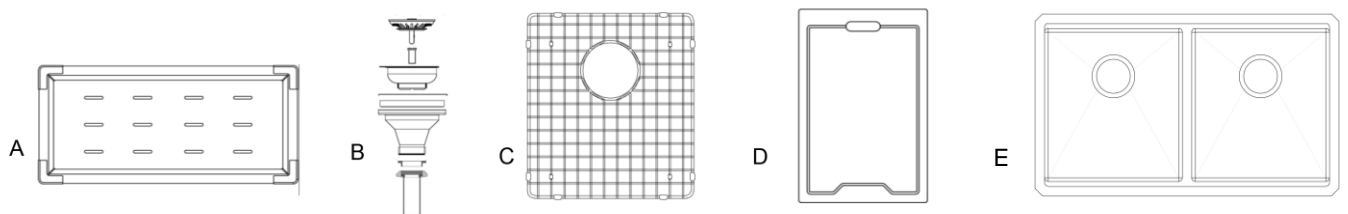
Questions, problems, missing parts? Before returning to your retailer, call our customer service department at 1-888-685-8236. You could also contact us at cs@daxib.com or visit www.daxib.com.

TABLE OF CONTENTS

Package Contents	2
Hardware Contents	3
Safety Information	3
Warning	3
Preparation	3
Tools Required (Not Included).....	4
Installation Instructions.....	5-9
Care and Maintenance.....	10
Warranty.....	11

PACKAGE CONTENTS

Make sure that you have all necessary parts by checking the parts list. If any part is missing or damaged, please contact us for a replacement.



PART	DESCRIPTION	QUANTITY
A	Colander	1
B	Strainer	2
C	Bottom Grid	2
D	Cutting Board	1
E	Sink	1

HARDWARE CONTENTS

Note: Hardware not shown to actual size.



BB

PART	DESCRIPTION	QUANTITY
BB	Under Mount Clips	12

SAFETY INFORMATION

Please read and understand this entire manual before attempting to assemble, operate or install the product.

- Installation must be done by qualified person.
- Protect the entire surface during installation.

WARNING

Please don't let the Children use the tooling to install the sink.
Risk of personal injury. Metal surface are sharp and can cause severe cuts. Use gloves and handle sink edges carefully.

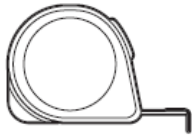
PREPARATION

Before beginning assembly of product, make sure all parts are present. Compare parts with package contents list and hardware contents list. If any part is missing or damaged, do not attempt to assemble the product.

Estimated Assembly Time: 60 minutes

Tools Required for Assembly (not included): measuring tape, safety goggles, Phillips Screwdriver, pencil, Hacksaw, Saber saw or Jig saw, electric drill, wrenches, silicone sealant, flathead screwdriver and etc.

TOOLS REQUIRED (NOT INCLUDED)



Measuring
Tape



Safety
Goggles



Philips
Screwdriver



Pencil



Hacksaw



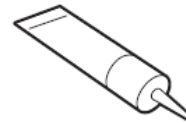
Saber Saw
or Jig Saw



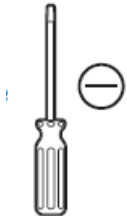
Electric
Drill



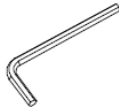
Wrenches



Silicone
Sealant



Flathead
Screwdriver



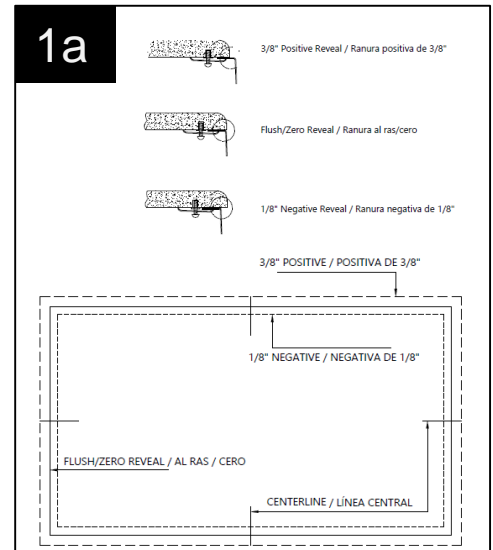
Hexagon
Wrench

INSTALLATION INSTRUCTIONS

Step 1 : Sink Installation (Undermount Installation)

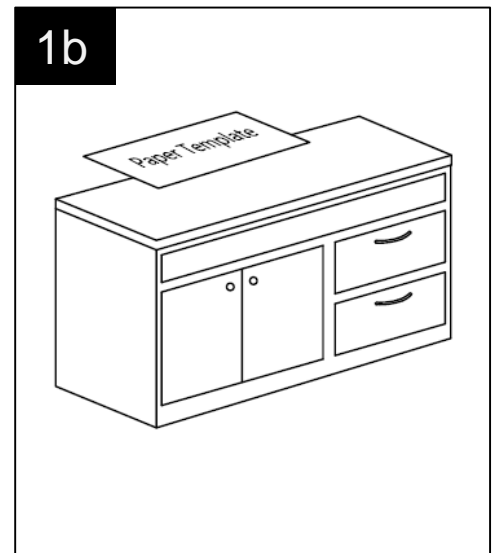
1a. Determine reveal type

- Use scissors to cut along the line of the paper template for your desired reveal type (Negative, Positive, or Flush Reveal).



1b. Position Template

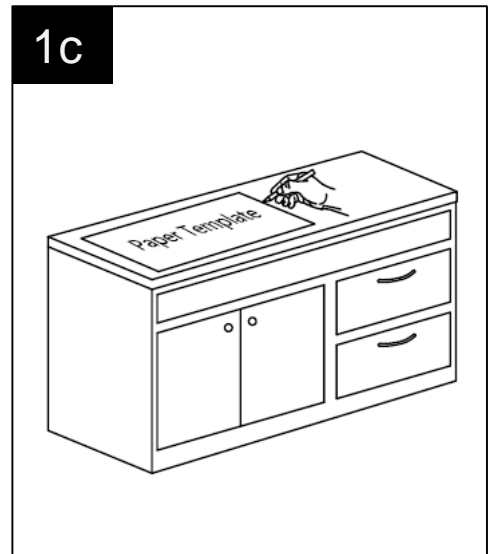
- Check the cut-out template against the actual sink to ensure a proper sized cut-out.
- Place the cut-out template in the desired location on the countertop.



INSTALLATION INSTRUCTIONS

1c. Trace Template

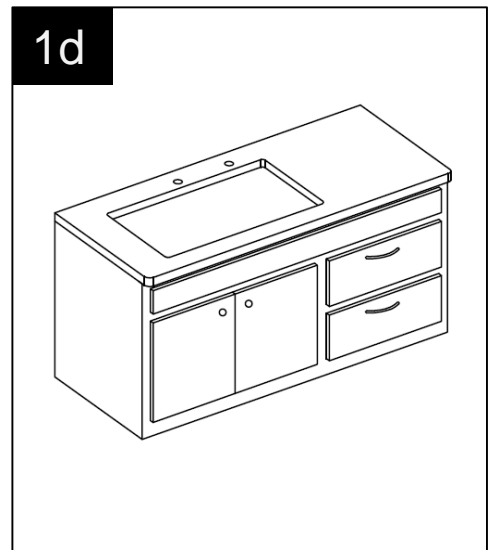
- Trace template on countertop with a pencil.



1d. Cut Countertop

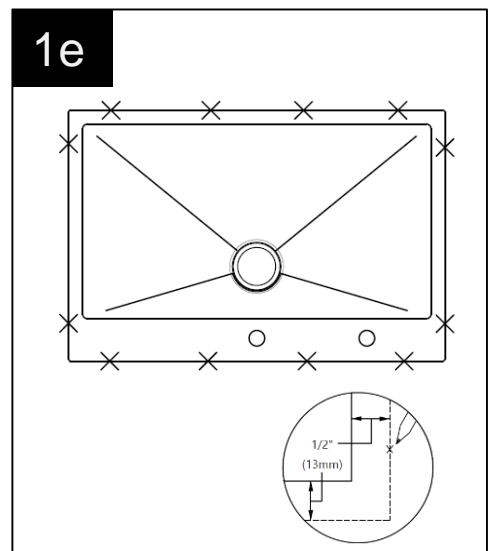
- Cut the opening in the countertop by carefully following the traced line.

NOTE: Please use the appropriate saw that best fits your countertop material.



1e. Set up mounting brackets

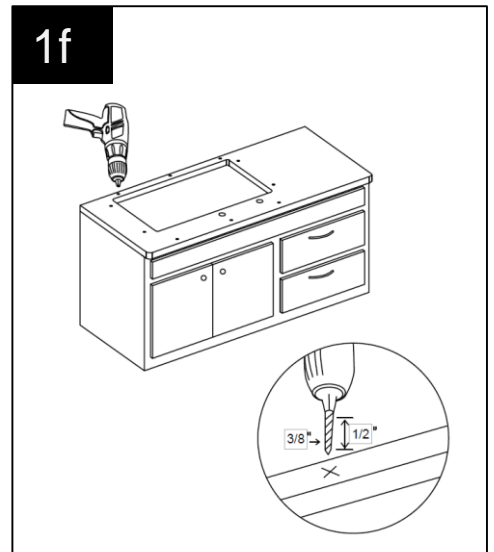
- Turn countertop over and align sink with countertop. Decide location for mounting brackets.
- Mounting holes should be 1/2" from edge of sink.



INSTALLATION INSTRUCTIONS

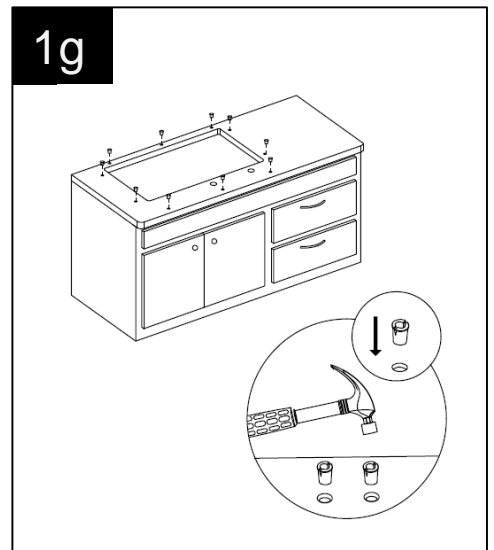
1f. Drill hole in countertop

- Drill 3/8" diameter x 1/2" deep hole in the countertop.



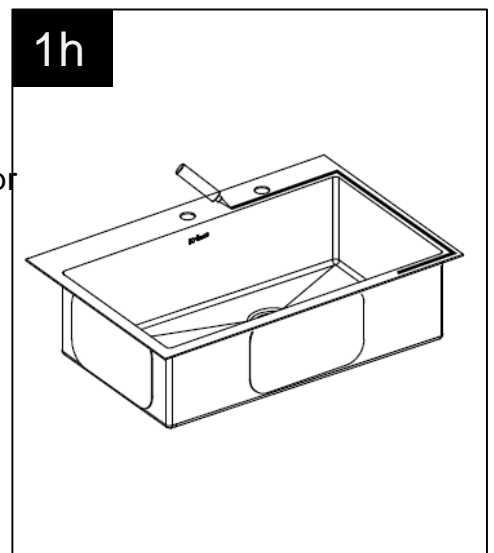
1g. Install anchors

- Insert anchors into drilled holes and lightly tap with a hammer
- until flush.



1h. Secure sink to countertop

- Use a bead of silicone (or preferred adhesive) around the rim of the sink. Check the alignment of the sink to the cutout in the countertop. Place sink over cutout hole and press



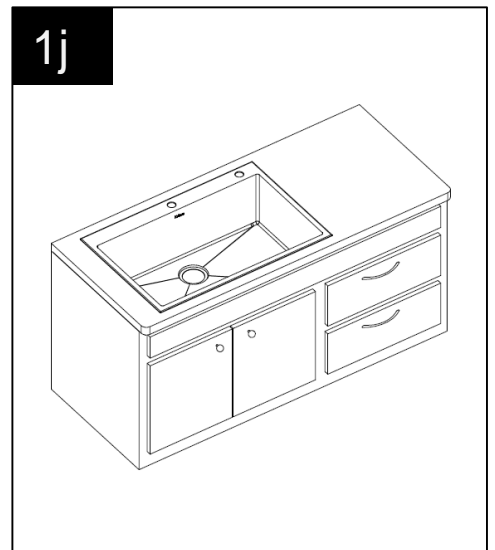
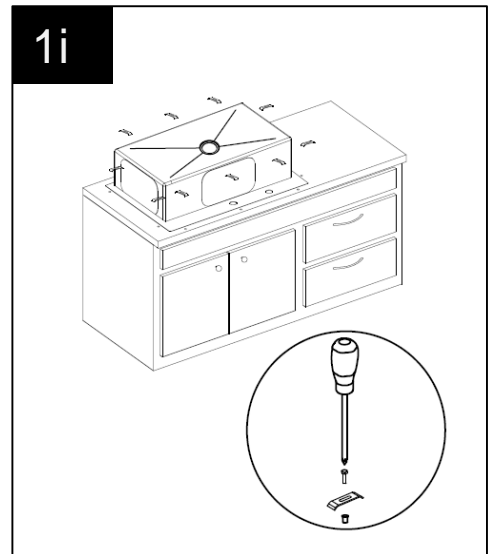
INSTALLATION INSTRUCTIONS

1i. Attach mounting hardware

- Attach mounting hardware to secure bowl. Remove excess sealant from inside lip.
- Allow sealant to set for 30 to 60 minutes.

1j. Install Plumbing Fixtures

- Connect strainer to sink. Connect trap (not included) to strainer. Connect water supply connections (not included) to the faucet.
- Run water into sink and check for leaks.

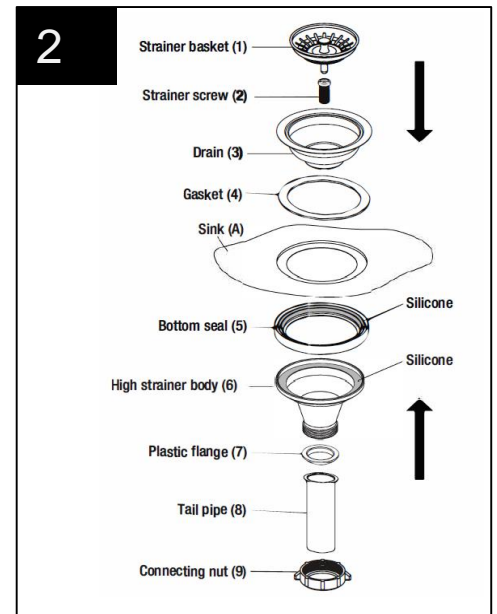


INSTALLATION INSTRUCTIONS

Step 2 : Strainer Installation

- 2a. Position the drain (3) and the gasket (4) into the drain opening of the sink. Silicone or plumbing putty may be used instead of the gasket (4).
- 2b. Remove any major surface irregularities from around the bottom of the drain opening.
- 2c. Fill both grooves of the bottom seal (5) with silicone sealant (not supplied).
- 2d. Push the bottom seal (5) with the grooves against the bottom of the sink such that it is evenly seated.
- 2e. Put a small bead of silicone around the flange of the high strainer body (6).
- 2f. Press the high strainer body (6) into the bottom seal (5) and secure components with the strainer screw (2).
- 2g. Tighten the strainer screw (2) until all gaps are eliminated and all the components are tightly seated flat against each other.
- 2h. Wipe off excess sealant and allow it to cure as suggested by the sealant manufacturer before connecting your plumbing.
- 2i. Insert the plastic flange (7) into the tail pipe (8), and secure them to the high strainer body (6) using the connecting nut (9).
- 2j. Insert the strainer basket (1) into the drain (3).

Note: If you are installing a garbage disposer (not supplied), do not install the strainer.



CARE AND MAINTENANCE

Daily, regular cleaning to remove dirt and prevent staining is recommended. Use liquid dish detergent, water and a soft household sponge.

Mild, non-abrasive cleaners can be used with a nylon scrub pad. To ensure a uniform appearance in a stainless-steel sink surface, rinse with water and wipe down the sink with a soft, dry cloth. Drying the sink will prevent water spots caused by time in the water.

Remove stubborn stains from lime or calcium deposits by pouring a little warm vinegar or vinegar-based cleaner into the sink and allow it to sit for a few minutes. Rinse with clean water and dry.

Scratches are inevitable during your usage over time. Use a nylon pad with an iron free abrasive polishing compound. Follow the original polish lines to blend out the scratch in a small area. Be careful not to overdo as aggressive scrubbing will result in a bright spot.

DO NOT use strong abrasive cleaners, metal scrub pads, or steel wool. These will scratch the surface.

DO NOT leave rubber mats or sponges inside the sink. Water trapped below could lead to stains.

DO NOT let food with a high salt content sit inside the sink for prolonged periods of time.

DO NOT allow chlorine bleach to sit inside a stainless-steel sink for more than 1 hour.

DO NOT allow drain cleaners to come into contact with the sink surface.

DO NOT pour paint in your sink. The chemicals in acrylic paint will react with sinks if allowed to sit over 24 hours and will produce permanent marks. For latex based paints, remove any residue immediately using a paint remover manufactured by the same brand.

Consult the paint remover recommendations before using on the sink. For all sinks, we also recommend nail polish remover, rubbing alcohol or an acetone-based paint remover to eliminate paint residue.

Rust spots – Stainless steel does not rust. Rust stains are the result of iron particles introduced by water, cookware, and steel wool pads that react with water to create rust. Metal cleaners will remove rust spots.

Food stains – Depending on the severity of the stain, use a bleach and water solution or pour the bleach onto a cloth and cover the stain. Allow the bleach to sit for at least 1/2 hour and then clean with dish detergent and water.

WARRANTY

WHAT IS COVERED

DAX products are manufactured with superior quality standards and workmanship and are backed by our below warranty.

- Limited lifetime warranty for kitchen sink.
- One-year limited warranty for strainer.

DAX products are warranted to the original consumer purchaser to be free of defects in materials or workmanship. We will repair or replace any product or parts that proves defective. Proof of purchase (original sales receipt) from the original consumer purchaser must be made available for all warranty claims. The warranty commences from the initial date of purchase. This warranty extends to the original owner or end-user and is not transferable to a subsequent owner.

WHAT IS NOT COVERED

This warranty excludes improper installation/modification, damages from misuse/abuse, improper care or maintenance, scratches due to use or normal wear and tear.

This warranty excludes all industrial, commercial & business usage, whose purchasers are hereby, extended a one-year limited warranty from the date of purchase, with all other terms of this warranty applying except the duration of warranty.

This warranty does not cover labor charges or costs of removal and reinstallation of said product.

This warranty does not allow recovery of incidental or consequential damages, such as loss of use, delay, property damage, or other consequential damages, and accepts no liability for such damages.