



DR12-H01



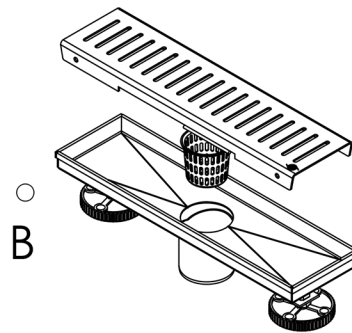
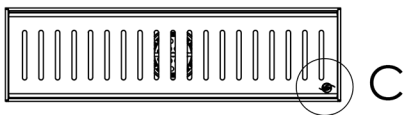
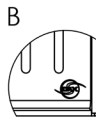
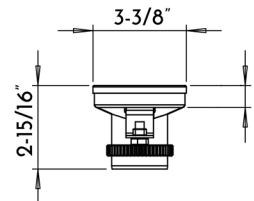
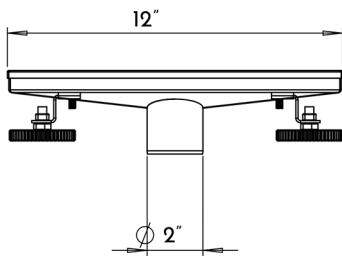
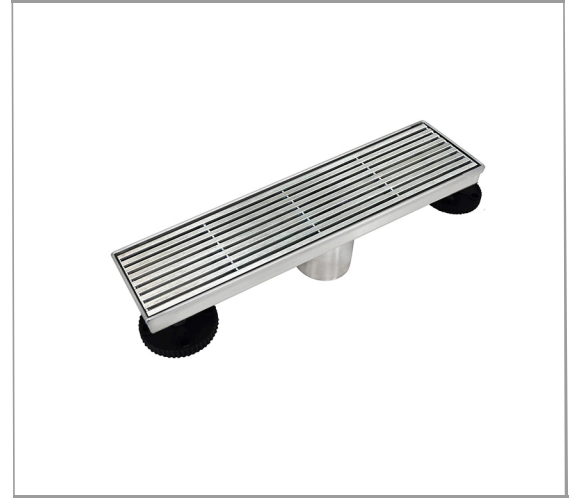
DRAIN SYSTEMS **SERIES**





FEATURES

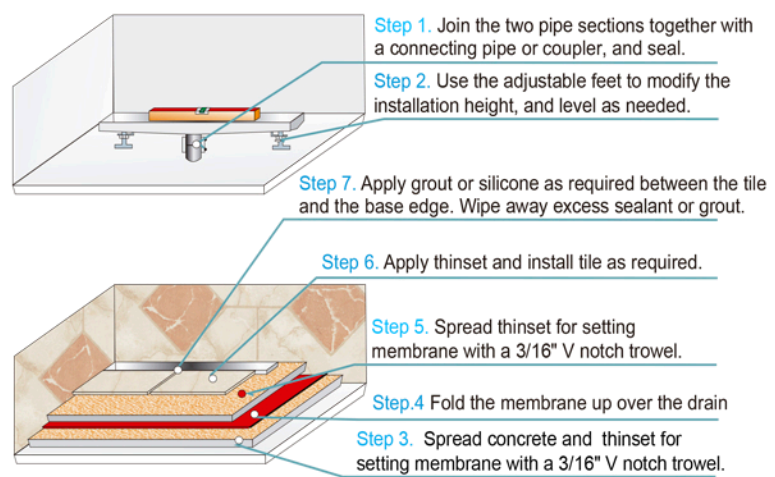
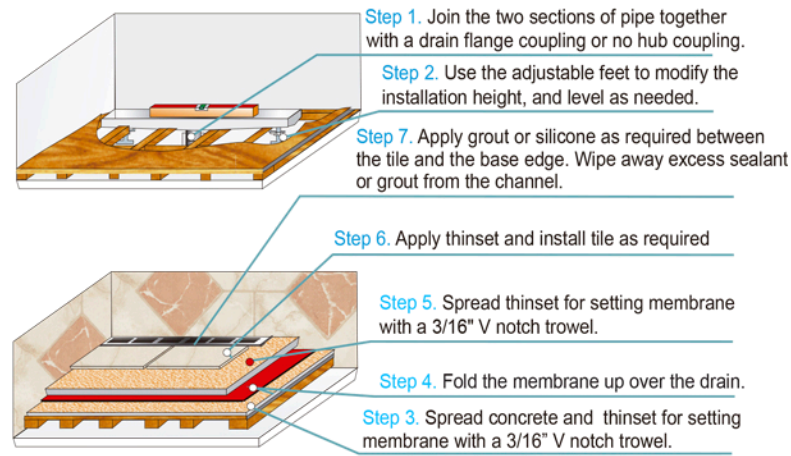
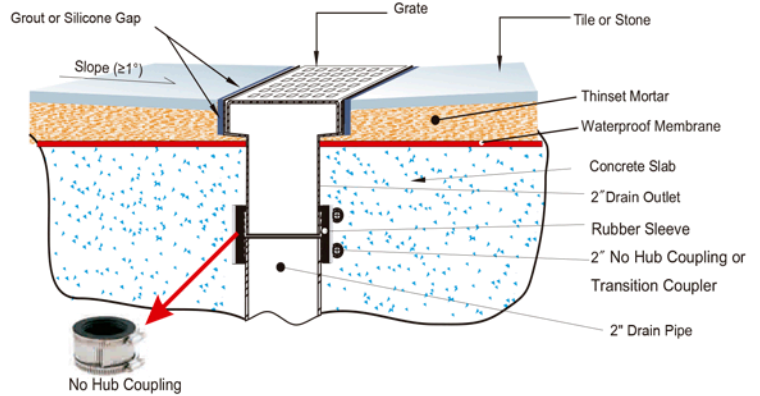
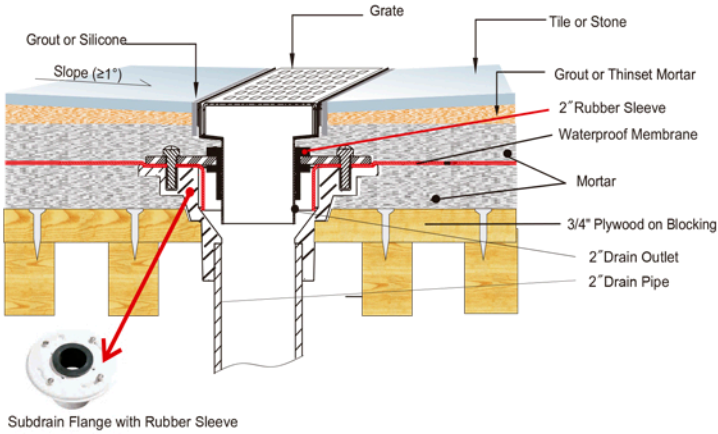
- Material: Stainless Steel
- Finish: Stainless Steel
- Size: W 12" x H 2-15/16" x D 13/16"
- Outside Diameter: 2"
- Flow Capability: 45L/M
- cUPC Approved





For Wood Slab

For Concrete Slab



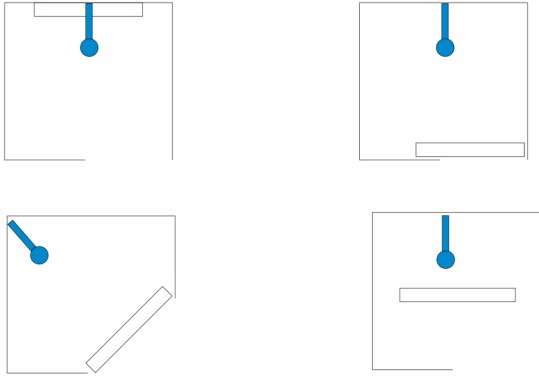
NOTE: Follow local plumbing codes, use listed subdrain flange meeting ASME A 112.18.2 standards.

NOTE: Follow local plumbing codes, use listed no hub coupling meeting ASME A 112.18.2 standards.





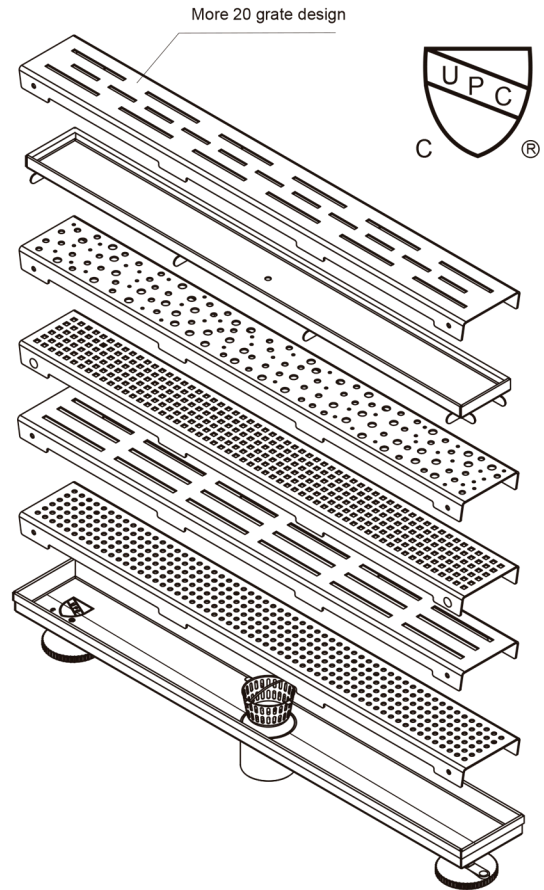
Installation Location & Notes:



1. Made of genuine stainless steel.
2. The shower tray can be installed in a new or existing shower. The floor should have enough space for the trap and drain area so the two can be properly connected.
3. The shower channel trench envelope should be "blocked out" with wood blocking while pouring the concrete slab to allow the shower channel to be installed separately from the main structural floor slab.
4. The pipe stub should be fully accessible to allow the transition coupler to be installed prior to the finished concrete pour around the shower channel body.
5. The tiles should be installed taking into account the slope of the shower floor in the direction of the drain trench. The tiles should be 1mm higher than the trench and drains so that no puddle forms in the shower tray.

Linear Shower Drain

by stainless steel



For parts or sale requirements
please contact our customer service department:

 CS@daxib.com

 1 888 685 8236