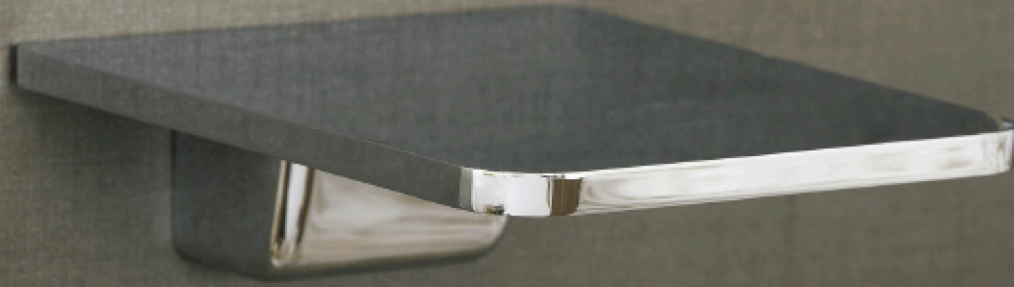


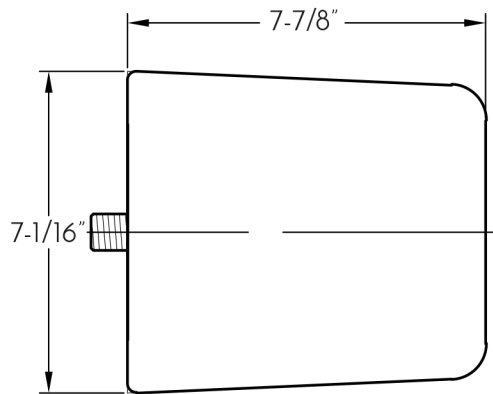
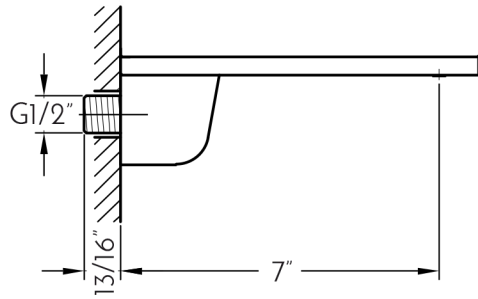


DAX-Z25-CR



BATHTUB FILLERS SPOUTS **SERIES**





FEATURES

- Tub Filler Spout
- Brass body
- Chrome finish



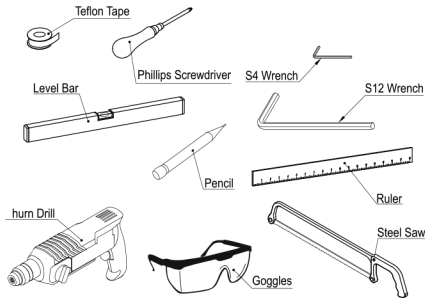


BATHTUB FILLER SPOUT **DAX-Z25-CR**

MODEL	D-Z25
FINISH	CHROME
CONNECTION SIZE	1/2"
SPOUT REACH	7"
WIDTH	7-1/16"
LENGTH	7-7/8"
MATERIAL	BRASS

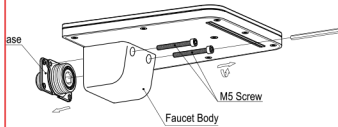


01



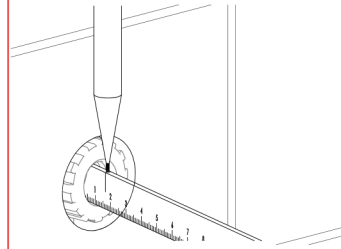
Prepare and check the following tools.

02



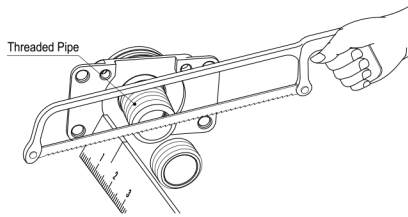
Unscrew the M5 screw with S4 wrench. Remove the base from the faucet body.

03



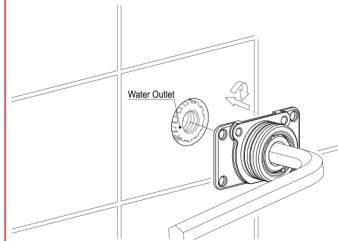
Measure the thread depth of pipe joint with a ruler based on the wall face.

04



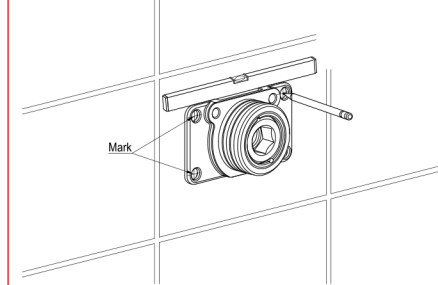
Measure the length of the threaded pipe by ruler. Make sure the length of thread is less than the depth of pipe joint. Otherwise, the excess part should be sawed off from the threaded pipe.

05



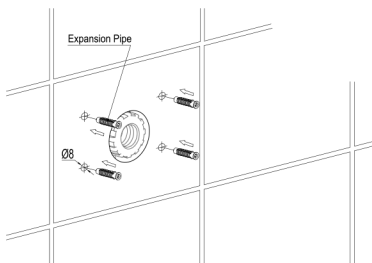
Screw the base into the water outlet.

06



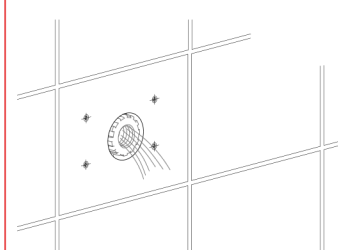
Calibrate the base with level bar. Make marks on the four mounting holes of the base.

07



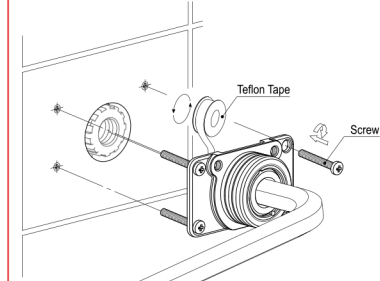
Remove the base. Drill $\varnothing 8$ holes at the location marked. Insert expansion pipes into holes.

08



Run water to get rid of mud, sand and other debris.

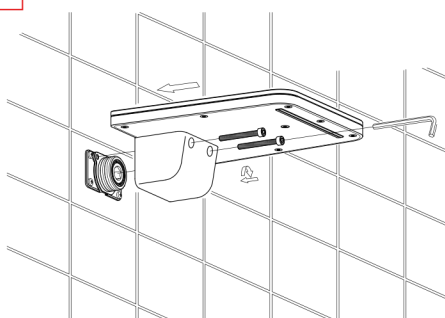
09



Wrap the teflon tape around the threaded pipe of base. Screw the base into the water outlet and make the base close to the wall face. Tighten the base with self-tapping screws.

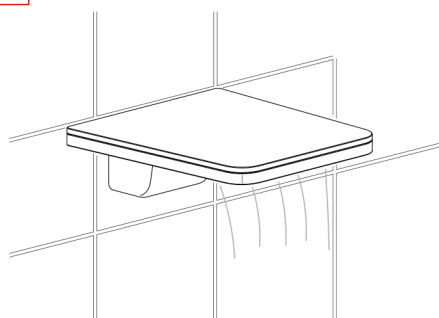


10



Fix the faucet body to the base with M5 screw.

11



Run water for inspection.

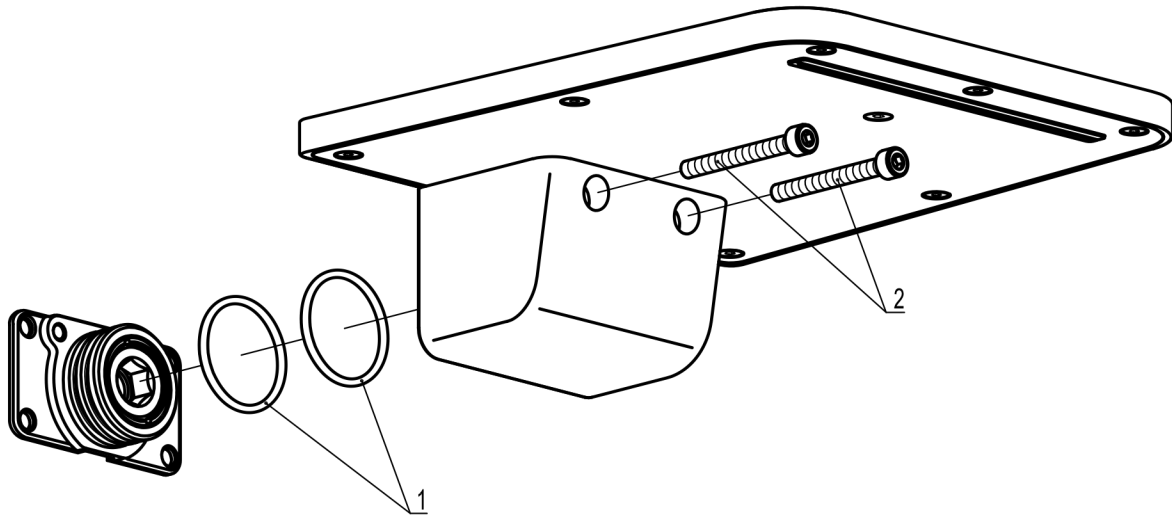


DIAGRAM NUMBER	DAX SKU	TITLE DESCRIPTION
1	MF 3325	Ø 1-1/8" x 1/8" "O" ring
2	FH TL-10545	M5X45 Internal hex socket head cap screw

For parts or sale requirements please contact our customer service department:



CS@daxib.com



1 888 685 8236