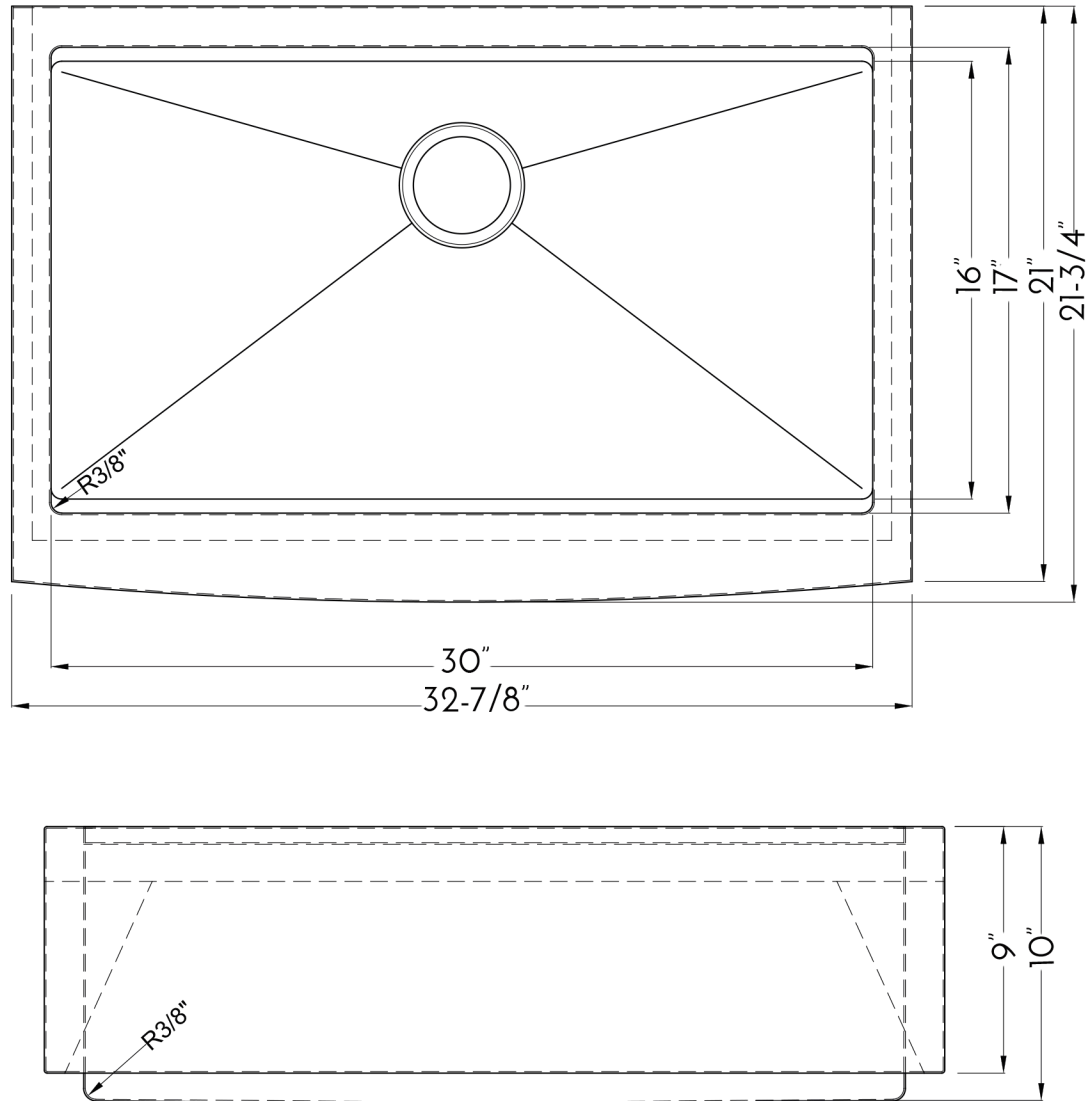




DAX-WS3321-R10



UNDERMOUNT KITCHEN SINKS **SERIES**



FEATURES

- 304 Stainless Steel
- 16 Gauge
- Brushed Finish
- Single Bowl
- Sound Dampening
- Apron Installation

ACCESSORIES

- Strainer included
- Bottom Grid included
- Basin rack included
- Wooden cutting board included
- Colander included

**KITCHEN SINK DAX-WS3321-R10**

OVER ALL SINK SIZE (in)	32-7/8" x 21-3/4" x 10"
INNER BASIN WIDTH (in)	16"
INNER BASIN LENGHT (in)	28"
LENGHT	32-7/8"
DEPTH	10"
WIDTH	21-3/4"
BOTTOM GRIDS INCLUDED	Yes
BASIN SPLIT	No
BASKET STRAINER INCLUDED	Yes
COLANDER INCLUDED	Yes
DRAIN CONNECTION	X
DRAIN PLACEMENT	Rear
FARM HOUSE	Yes
FAUCET HOLES	No
GAUGE	16g
INSTALATION TYPE	Apron
MATERIAL	304 Stainless Steel
MINIMUM CABINET SIZE	X
MOUNTING HARDWARE INCLUDED	Yes
NUMBER OF BASINS	One
PRODUCT WEIGHT	37.47 lb
SINK SHAPE	Rectangular
SOUND DAMPENING	Yes
STAINLESS STEEL GRADE	304
UPC APPROVED	No
SINK FINISH TYPE	Brushed

For parts or sale requirements
please contact our customer service department:



CS@daxib.com



1 888 685 8236