

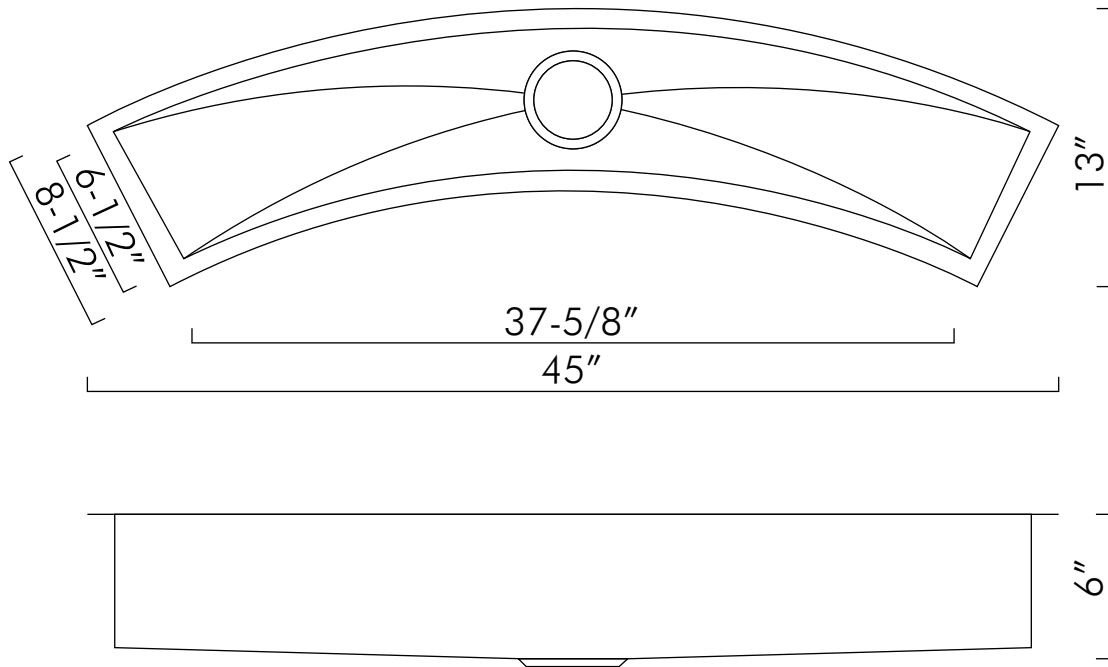


DAX-SQ-4512-C



BAR KITCHEN SINKS **SERIES**





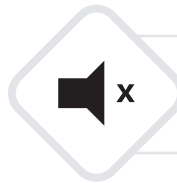
FEATURES

- Handmade sink
- 0mm radius corner
- Undermount
- 304 Stainless Steel
- 16 gauge
- Brushed Stainless Steel
- Size W 45" x H 13" x D 6"
- Standard 3-1/2" drain opening
- Undercoated and sound pads
- Mounting clips and cutting template

ACCESSORIES

- Stainless steel basket strainer not included (available)
- Stainless steel standard strainer not included (available)
- Grey silicone dish rack not included (available)





**TOP QUALITY
SOUNDPROOFING**

Thick rubber dampening pads absorb vibration and noise, ensuring quieter use.



**PROTECTIVE
UNDERCOATING**

Commercial-grade non-toxic undercoating provides extra soundproofing and prevents condensation buildup in the base cabinet

HANDMADE
BY ARTISANS

UNIQUELY
HAND CRAFTED
BY **ARTISANS**

x SOUND
DAMPENING

EXTRA-THICK
3 mm
RUBBER PADS

16G
THICK STEEL

DURABLE
1.5 mm STEEL
CONSTRUCTION

PREMIUM GRADE
304

18% CHROMIUM
10% NICKEL
COMPOSITION

HIGH QUALITY
DAX
WARRANTY
PRODUCTS

CONSULTING
AT **DAXIB.COM**





KITCHEN SINK DAX-SQ-4512-C

| MODEL | DAX-SQ-4512-C |
|----------------------------|---------------------|
| INNER BASIN WIDTH (in) | 37-5/8" |
| INNER BASIN HEIGHT (in) | 8-1/2" |
| HEIGHT | 13" |
| DEPTH | 6" |
| WIDTH | 45" |
| BOTTOM GRIDS INCLUDED | no |
| BASIN SPLIT | no |
| BASKET STRAINER INCLUDED | no |
| COLANDER INCLUDED | no |
| DRAIN CONNECTION | 3-1/2" |
| DRAIN PLACEMENT INNER | center |
| FARMHOUSE | no |
| FAUCET HOLES | no |
| GAUGE | 16 |
| INSTALLATION TYPE | Undermount |
| MATERIAL | 304 Stainless Steel |
| MINIMUM CABINET SIZE | X |
| MOUNTING HARDWARE INCLUDED | yes |
| NUMBER OF BASINS | 1 |
| PRODUCT WEIGHT | 27.0243 lb |
| SINK SHAPE | rectangle |
| SOUND DAMPENING | yes |
| STAINLESS STEEL GRADE | 304 |
| UPC APPROVED | yes |
| SINK FINISH TYPE : | brushed |

For parts or sale requirements please contact our customer service department:



CS@daxib.com



1 888 685 8236

