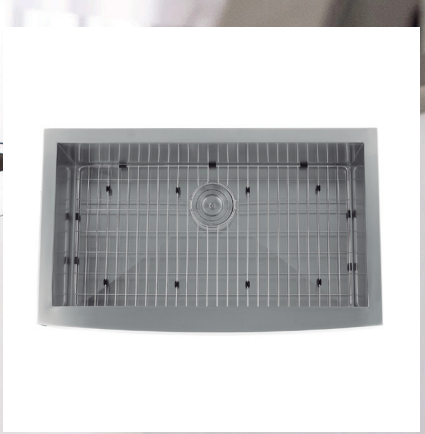


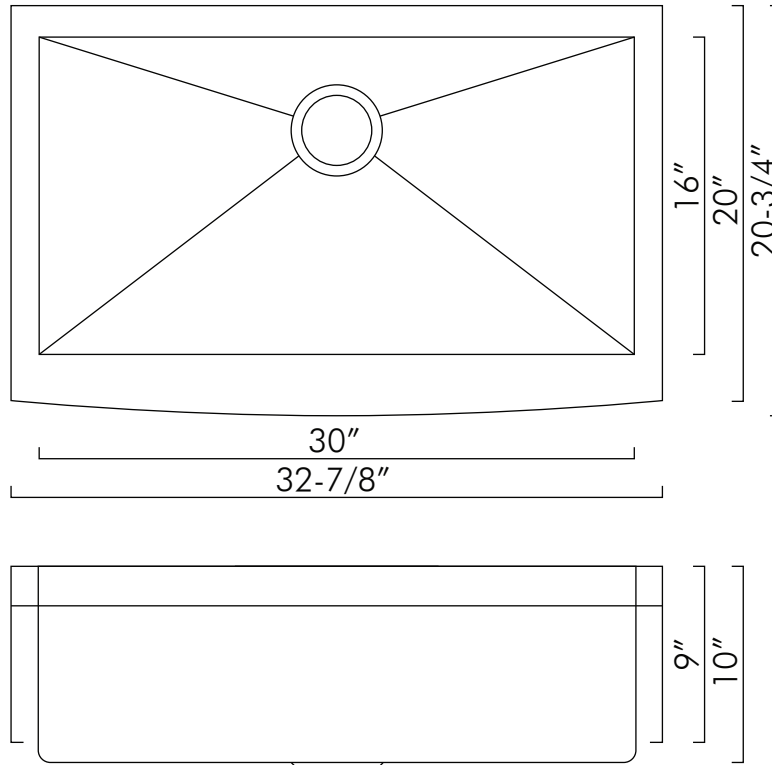


DAX-SQ-3321



FARMHOUSE KITCHEN SINKS **SERIES**





FEATURES

- Handmade sink
- 0mm radius corner
- Undermount or overmount
- 304 Stainless Steel
- 16 gauge
- Brushed Stainless Steel
- Size W 32-7/8" x H 20-3/4" x D 10"
- Standard 3-1/2" drain opening
- Undercoated and sound pads
- Mounting clips and cutting template

ACCESSORIES

- Bottom grid included
- Stainless steel basket strainer (1 pc included)
- Stainless steel standard strainer not included (available)
- Round stainless steel colander included
- Square stainless steel colander not included (available)
- Grey silicone dish rack not included (available)





KITCHEN SINK DAX-SQ-3321

MODEL	DAX-SQ-3321
INNER BASIN DEPTH (in)	9"
INNER BASIN WIDTH (in)	16"
INNER BASIN HEIGHT (in)	30"
HEIGHT	10"
DEPTH	20-3/4"
WIDTH	32-3/4"
BOTTOM GRIDS INCLUDED	yes
BASIN SPLIT	no
BASKET STRAINER INCLUDED	yes
COLANDER INCLUDED	yes
DRAIN CONNECTION	3-1/2"
DRAIN PLACEMENT INNER	center
FARMHOUSE	yes
FAUCET HOLES	no
GAUGE	16
INSTALLATION TYPE	Undermount/Overmount
MATERIAL	304 Stainless Steel
MOUNTING HARDWARE INCLUDED	yes
NUMBER OF BASINS	1
PRODUCT WEIGHT	62.0557 lb
SINK SHAPE	rectangle
SOUND DAMPENING	yes
STAINLESS STEEL GRADE	304
UPC APPROVED	yes
SINK FINISH TYPE	brushed

For parts or sale requirements please contact our customer service department:

 CS@daxib.com

 1 888 685 8236

