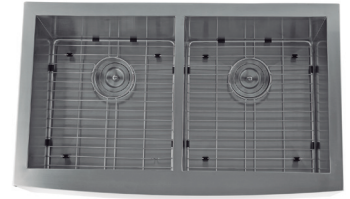
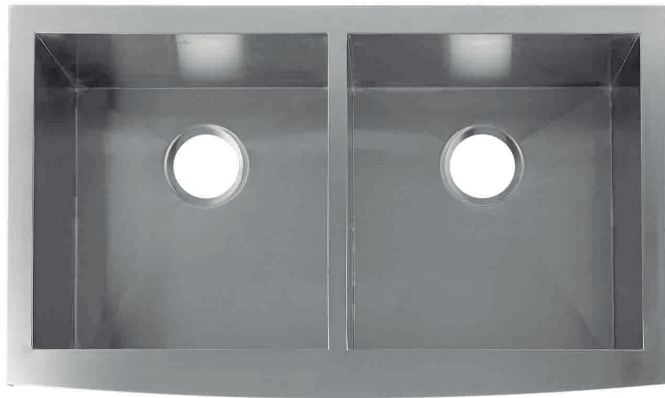


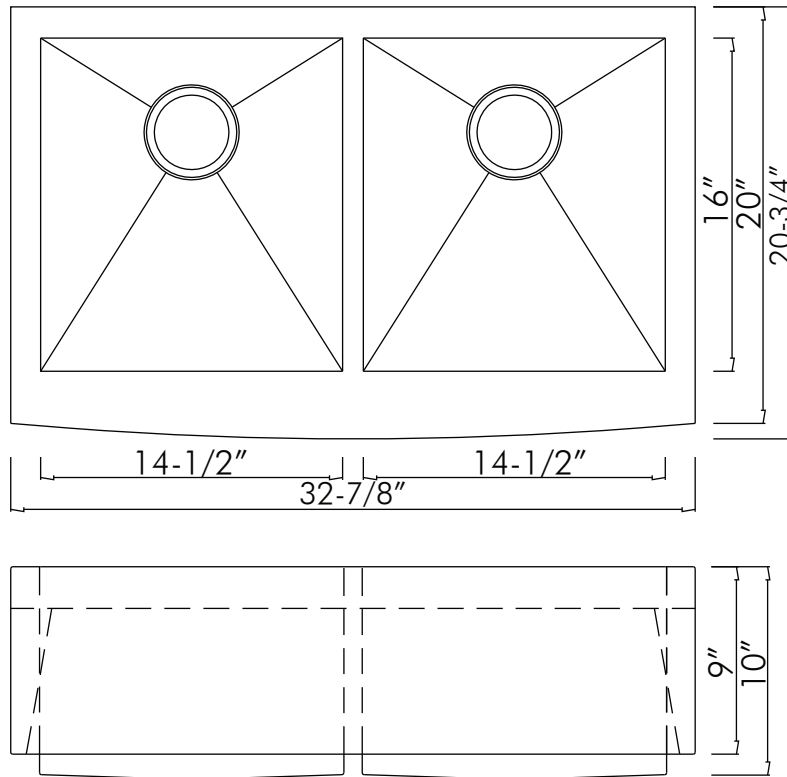


DAX-SQ-3320F



FARMHOUSE KITCHEN SINKS **SERIES**





FEATURES

- Handmade sink
- 0mm radius corner
- Undermount or overmount
- 304 Stainless Steel
- 16 gauge
- Brushed Stainless Steel
- Size W 32-7/8" x H 20-3/4" x D 10"
- Standard 3-1/2" drain opening
- Undercoated and sound pads
- Mounting clips and cutting template

ACCESSORIES

- Bottom grid included
- Stainless steel basket strainer (1 pc included)
- Stainless steel standard strainer not included (available)
- Round stainless steel colander included
- Square stainless steel colander not included (available)
- Grey silicone dish rack not included (available)





KITCHEN SINK DAX-SQ-3320F

MODEL	DAX-SQ-3320F
INNER BASIN WIDTH (in)	14-1/2" - 14-1/2"
INNER BASIN HEIGHT (in)	16"
LENGTH	20"
DEPTH	10"
WIDTH	33"
BOTTOM GRIDS INCLUDED	Yes
BASIN SPLIT	50/50
BASKET STRAINER INCLUDED	Yes
COLANDER INCLUDED	Yes
DRAIN CONNECTION	3-1/2"
DRAIN PLACEMENT ON LEFT INNER	Back
DRAIN PLACEMENT ON RIGHT INNER	Back
FARMHOUSE	Yes
FAUCET HOLES	No
GAUGE	16
INSTALLATION TYPE	Undermount or overmount
MATERIAL	304 Stainless Steel
MINIMUM CABINET SIZE	X
MOUNTING HARDWARE INCLUDED	Yes
NUMBER OF BASINS	2
PRODUCT WEIGHT	66.0593 lb
SINK SHAPE	Rectangle
SOUND DAMPENING	Yes
STAINLESS STEEL GRADE	304
SINK FINISH TYPE	Brushed
UPC APPROVED	Yes

For parts or sale requirements please contact our customer service department:

 CS@daxib.com

 1 888 685 8236

