



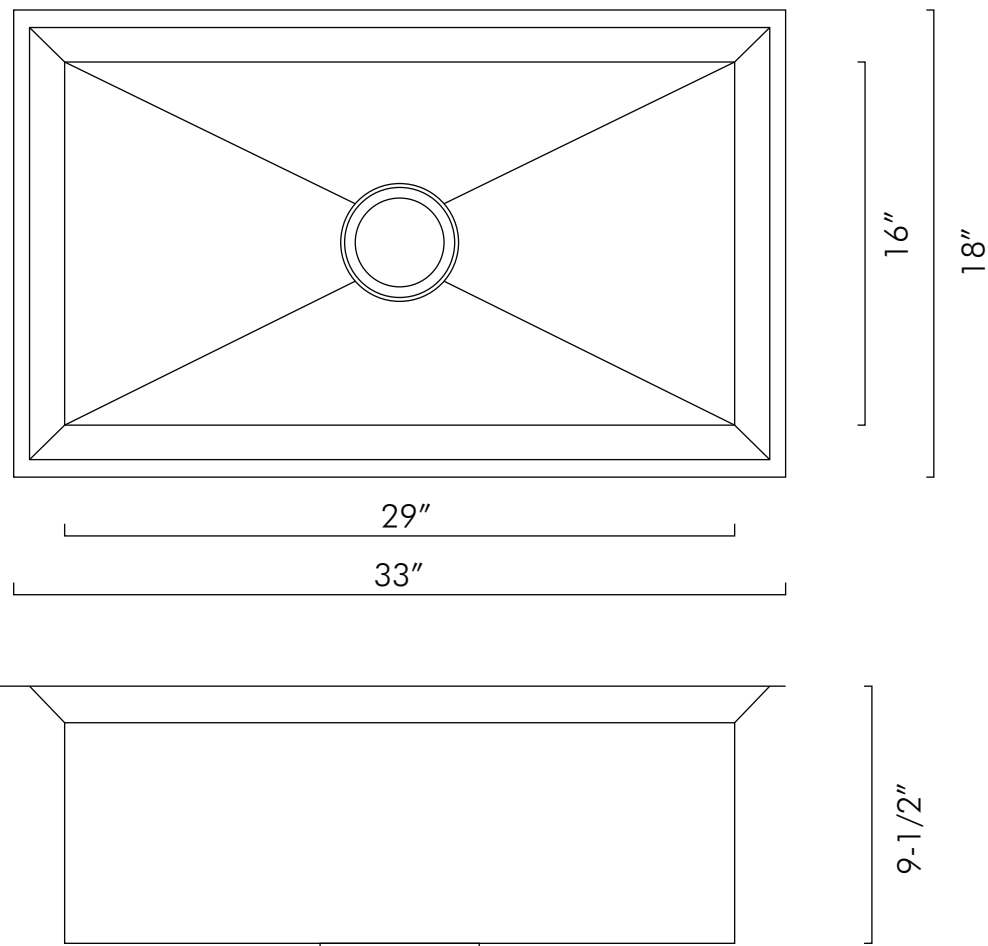
DAX-SQ-3318



UNDERMOUNT KITCHEN SINKS **SERIES**



www.daxib.com



FEATURES

- Handmade sink
- 0mm radius corner
- Undermount
- 304 Stainless Steel
- 16 gauge
- Brushed Stainless Steel - Chrome 45° lip
- Size W 33" x H 18" x D 9-1/2"
- Standard 3-1/2" drain opening
- Undercoated and sound pads
- Mounting clips and cutting template

ACCESSORIES

- Grey silicone dish rack not included (available)





KITCHEN SINK **DAX-SQ-3318**

INNER BASIN DEPTH (in)	X
INNER BASIN WIDTH (in)	29"
INNER BASIN HEIGHT (in)	16"
HEIGHT	18"
DEPTH	9-1/2"
WIDTH	33"
BOTTOM GRIDS INCLUDED	No
BASIN SPLIT	No
BASKET STRAINER INCLUDED	No
COLANDER INCLUDED	No
DRAIN CONNECTION	3-1/2"
DRAIN PLACEMENT	Center
FARMHOUSE	No
FAUCET HOLES	No
GAUGE	16
INSTALLATION TYPE	Undermount
MATERIAL	304 Stainless Steel
MINIMUM CABINET SIZE	X
MOUNTING HARDWARE INCLUDED	Yes
NUMBER OF BASINS	1
SINK SHAPE	Rectangular
SOUND DAMPENING	Yes
STAINLESS STEEL GRADE	304
UPC APPROVED	Yes
SINK FINISH TYPE	Brushed

For parts or sale requirements please contact our customer service department:

 CS@daxib.com

 1 888 685 8236

