



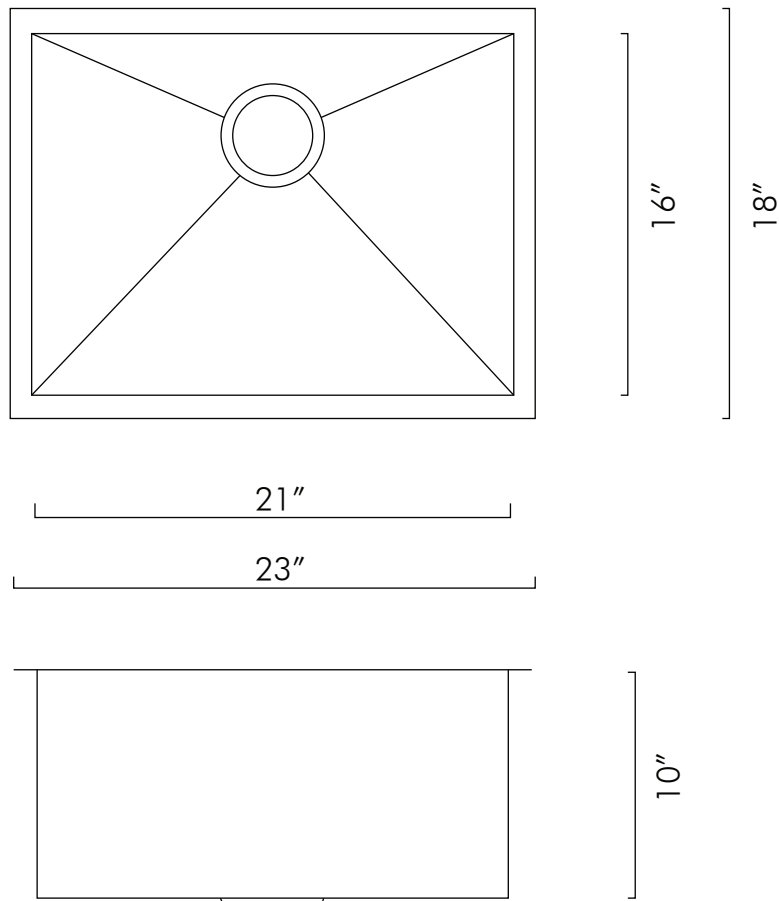
DAX-SQ-2318



UNDERMOUNT KITCHEN SINKS **SERIES**



www.daxib.com



FEATURES

- Handmade sink
- 0mm radius corner
- Undermount
- 304 Stainless Steel
- 16 gauge
- Brushed Stainless Steel
- Size W 23" x H 18" x D 10"
- Standard 3-1/2" drain opening
- Undercoated and sound pads
- Mounting clips and cutting template

ACCESSORIES

- Bottom grid included
- Stainless steel basket strainer (1 pc included)
- Stainless steel standard strainer not included (available)
- Round stainless steel colander included
- Square stainless steel colander not included (available)
- Grey silicone dish rack not included (available)





KITCHEN SINK **DAX-SQ-2318**

| | |
|----------------------------|---------------------|
| INNER BASIN DEPTH (in) | X |
| INNER BASIN WIDTH (in) | 21" |
| INNER BASIN HEIGHT (in) | 16" |
| HEIGHT | 18" |
| DEPTH | 10" |
| WIDTH | 23" |
| BOTTOM GRIDS INCLUDED | Yes |
| BASIN SPLIT | No |
| BASKET STRAINER INCLUDED | Yes |
| COLANDER INCLUDED | Yes |
| DRAIN CONNECTION | 3-1/2" |
| DRAIN PLACEMENT | Back |
| FARMHOUSE | No |
| FAUCET HOLES | No |
| GAUGE | 16 |
| INSTALLATION TYPE | Undermount |
| MATERIAL | 304 Stainless Steel |
| MINIMUM CABINET SIZE | X |
| MOUNTING HARDWARE INCLUDED | Yes |
| NUMBER OF BASINS | 1 |
| SINK SHAPE | Rectangular |
| SOUND DAMPENING | Yes |
| STAINLESS STEEL GRADE | 304 |
| UPC APPROVED | Yes |
| SINK FINISH TYPE | Brushed |

For parts or sale requirements please contact our customer service department:

 CS@daxib.com

 1 888 685 8236

