



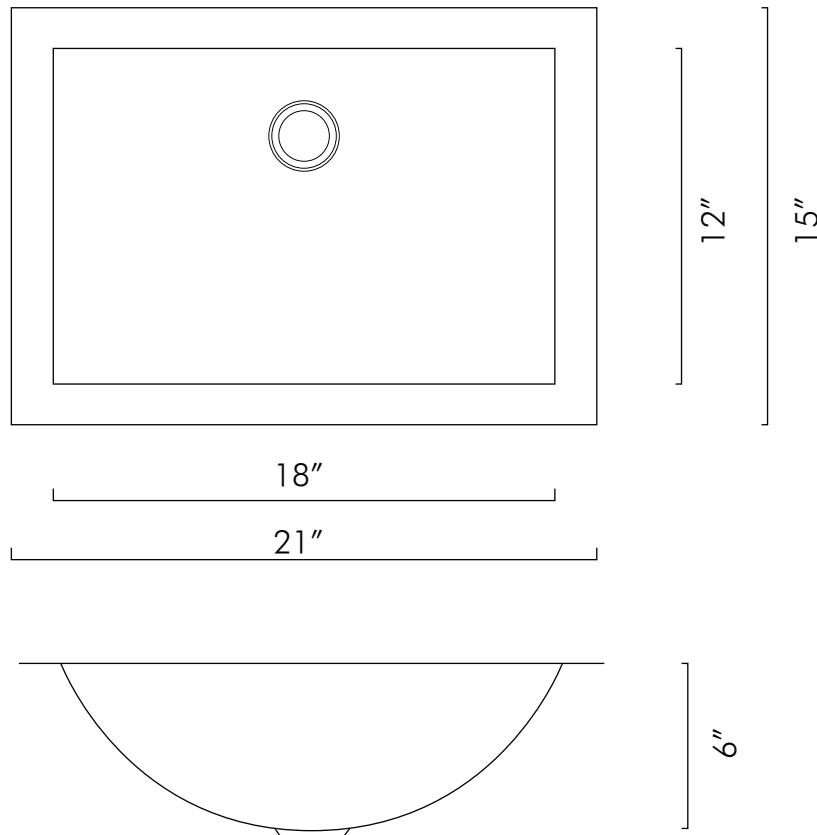
DAX-SQ-114



UNDERMOUNT KITCHEN SINKS **SERIES**



www.daxib.com



FEATURES

- Handmade sink
- 0mm radius corner
- Undermount
- 304 Stainless Steel
- 18 gauge
- Brushed Stainless Steel
- Size W 21" x H 15" x D 6"
- 2" drain opening
- Undercoated and sound pads
- Mounting clips and cutting template

ACCESSORIES

- Grey silicone dish rack not included (available)





KITCHEN SINK **DAX-SQ-114**

INNER BASIN DEPTH (in)	X
INNER BASIN WIDTH (in)	18"
INNER BASIN HEIGHT (in)	12"
HEIGHT	15"
DEPTH	6"
WIDTH	21"
BOTTOM GRIDS INCLUDED	No
BASIN SPLIT	No
BASKET STRAINER INCLUDED	No
COLANDER INCLUDED	No
DRAIN CONNECTION	2-5/8"
DRAIN PLACEMENT	Back
FARMHOUSE	No
FAUCET HOLES	No
GAUGE	18
INSTALLATION TYPE	Undermount
MATERIAL	304 Stainless Steel
MINIMUM CABINET SIZE	X
MOUNTING HARDWARE INCLUDED	Yes
NUMBER OF BASINS	1
SINK SHAPE	Rectangular
SOUND DAMPENING	Yes
STAINLESS STEEL GRADE	304
UPC APPROVED	Yes
SINK FINISH TYPE	Brushed

For parts or sale requirements please contact our customer service department:



CS@daxib.com



1 888 685 8236

