



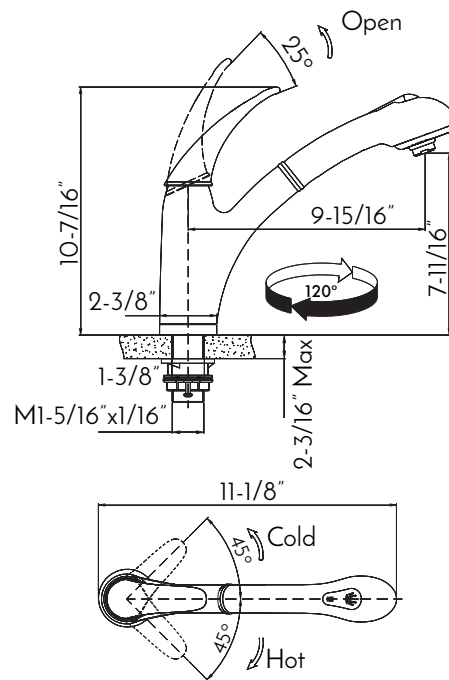
DAX-S1516



KITCHEN FAUCETS SERIES



[www.daxib.com](http://www.daxib.com)



## FEATURES

- Pull out shower head
- Brushed stainless steel finish
- 304 stainless steel body casting
- Dual sprayer
- Stainless steel shower head
- Ceramic cartridge
- Flow rate 2.2 GPM
- Height 10-7/16"
- Installation hole 1-3/8"
- Water lines and mounting parts included





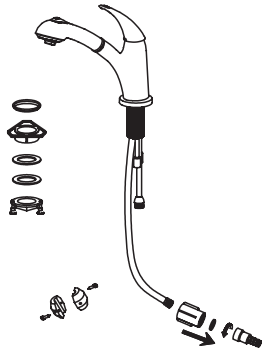
**KITCHEN FAUCET DAX-S1516**

MODEL	DAX-S1516
ADA	NA
UPC APPROVED	YES
ANSI APPROVED	NA
ASME APPROVED	NA
WATERSENSE CERTIFIED	NA
NSF APPROVED	YES
CONNECTION SIZE	G9/16
FAUCET HOLE SIZE	NA
FAUCETS HOLE	NA
FAUCET TYPE	Aerator-Spray
FLOW RATE (GPM)	2.2 gpm
HANDLE STYLE	Top Lever
NUMBER OF HANDLES	1
HOSE LENGTH	23-5/8"
INSTALLATION TYPE	Deck mount
MATERIAL	SUS304
FINISH	Brushed stainless steel
PULL OUT SPRAY	Aerator-Spray
PRE-RINSE	NA
SIDESPRAY	NA
SPOUT REACH	9-15/16"
SPOUT SWIVEL	360°
SPOUT TYPE	Flat throw
CARTRIDGE TYPE	Ceramic
MAX DECK THICKNESS	2"
INCLUDED COMPONENTS	Water lines and mounting parts included

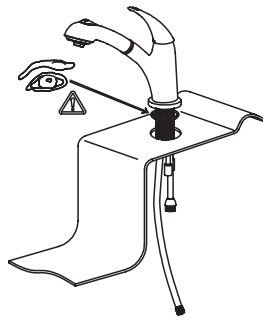




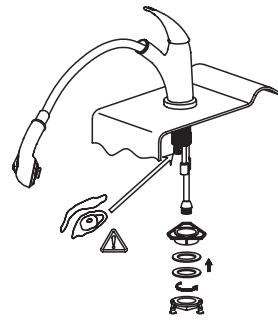
01



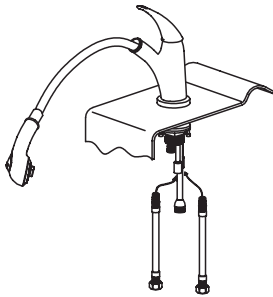
02



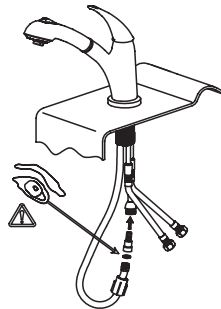
03



04



05



06

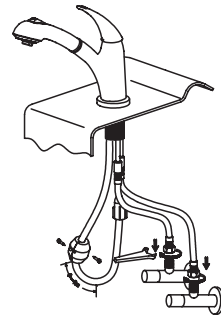
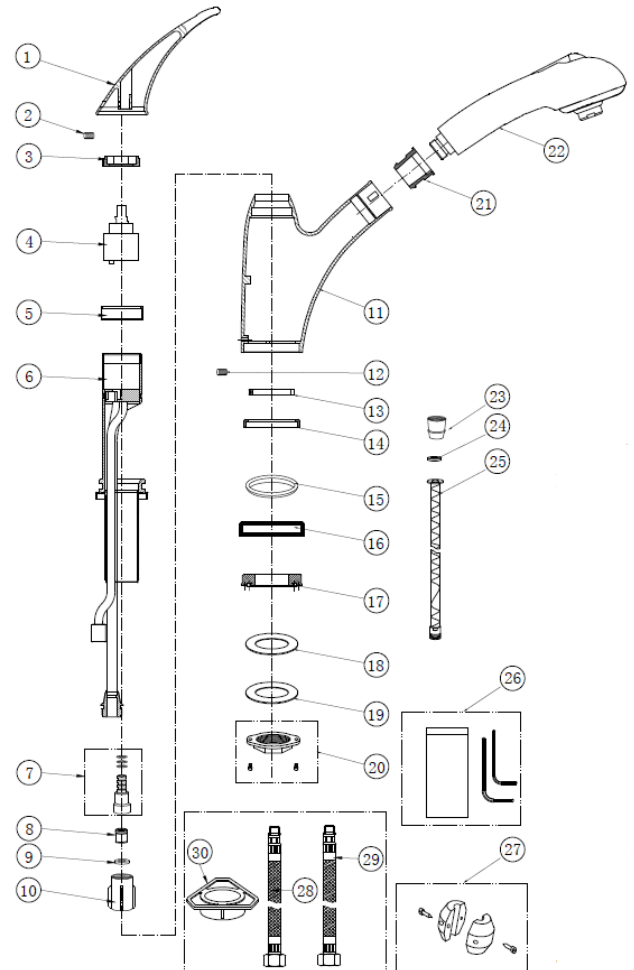




DIAGRAM NUMBER	DAX SKU	TITLE DESCRIPTION
1	190009057	Handle For DAX-S1516
2	190004081	Screw M5X3(304)
3	190008871	Cover
4	190004166	Cartridge
5	190001025	Sleeve,Plastic
6	190009033	Mandrel assembly
7	190010565	Connector assembly
8	190013118	Check valve
9	190004088	Rubber ring
10	190001503	Quick clamping sleeve
11	190009576	Body
12	190004252	Screw
13	190001002	Ring
14	190001001	Sleeve,Plastic
15	190009610	Rubber ring
16	190001244	Casting
17	190007511	Rubber ring
18	190004111	Rubber ring
19	190000798	Plate
20	190010566	Screw nut assembly
21	190009575	Sleeve
22	190011361	Shower assembly
23	190001449	Guide sleeve
24	190004085	Rubber ring
25	190005530	Hose
26	190011426	Allen wrench kit
27	190012832	Weight
28	190005546	Hose 61.3CM
29	190006629	Hose 61.3CM
30	190002413	Plastic Fixed Set



For parts or sale requirements please contact our customer service department: [CS@daxib.com](mailto:CS@daxib.com) 1 888 685 8236

