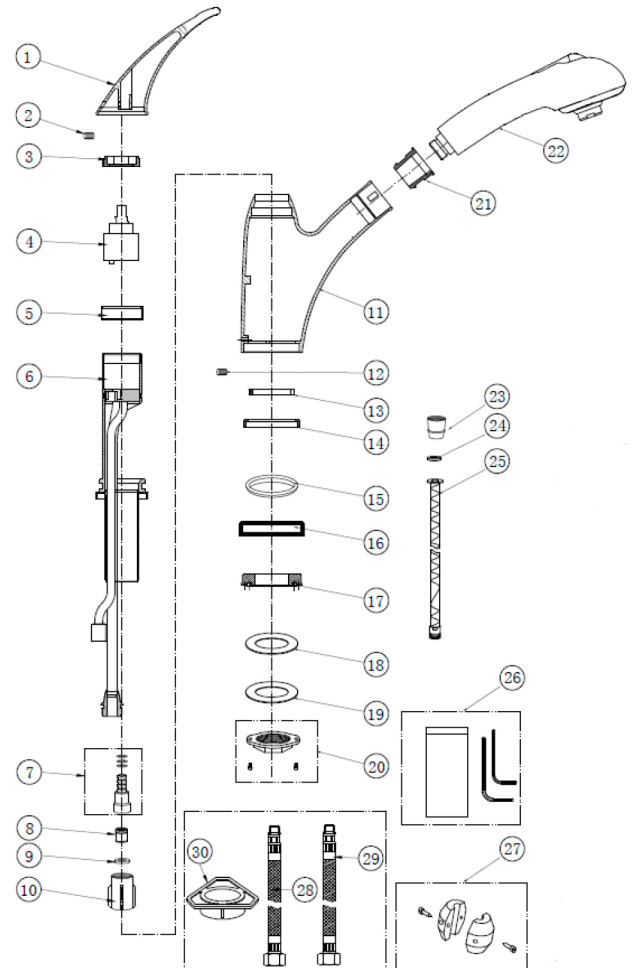




DIAGRAM NUMBER	DAX SKU	TITLE DESCRIPTION
1	190009057	Handle For DAX-SI516
2	190004081	Screw M5X3(304)
3	190008871	Cover
4	190004166	Cartridge
5	190001025	Sleeve,Plastic
6	190009033	Mandrel assembly
7	190010565	Connector assembly
8	190013118	Check valve
9	190004088	Rubber ring
10	190001503	Quick clamping sleeve
11	190009576	Body
12	190004252	Screw
13	190001002	Ring
14	190001001	Sleeve,Plastic
15	190009610	Rubber ring
16	190001244	Casting
17	190007511	Rubber ring
18	190004111	Rubber ring
19	190000798	Plate
20	190010566	Screw nut assembly
21	190009575	Sleeve
22	190011361	Shower assembly
23	190001449	Guide sleeve
24	190004085	Rubber ring
25	190005530	Hose
26	190011426	Allen wrench kit
27	190012832	Weight
28	190005546	Hose 61.3CM
29	190006629	Hose 61.3CM
30	190002413	Plastic Fixed Set



For parts or sale requirements please contact our customer service department:

 CS@daxib.com

 1 888 685 8236

