

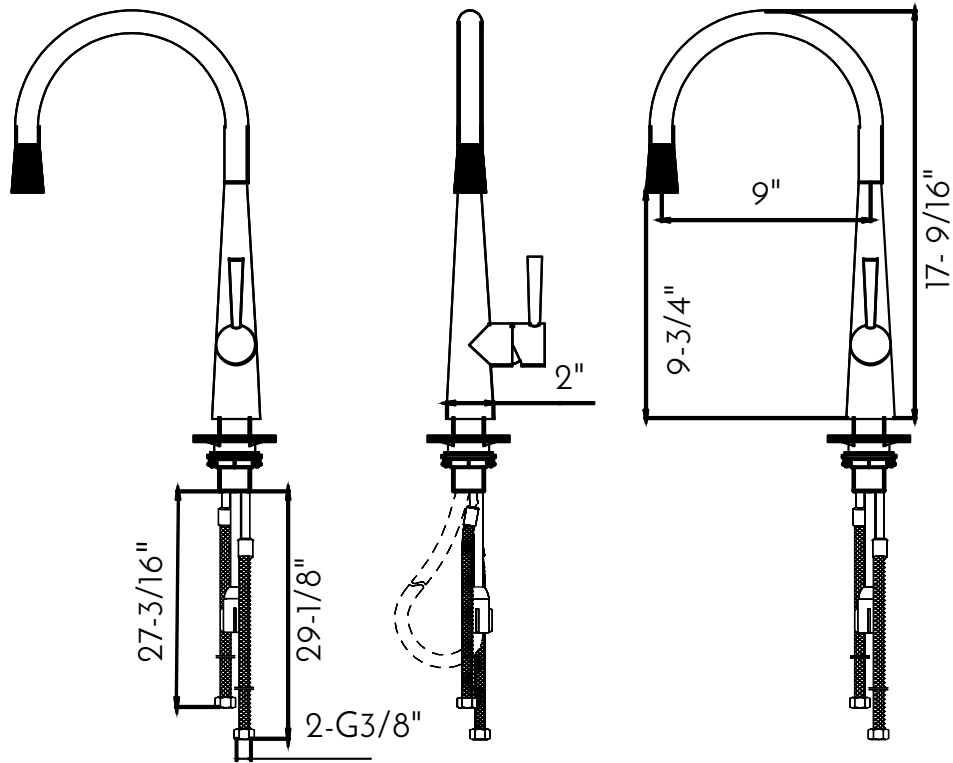


DAX-S1087P



KITCHEN FAUCETS SERIES





FEATURES

- Pull down shower head
- Brushed stainless steel finish
- 304 stainless steel body casting
- Single sprayer
- Stainless steel shower head
- Ceramic cartridge
- Flow rate 2.2 GPM
- Height 17- 9/16"
- Installation hole 1-3/8"
- Water lines and mounting parts included





KITCHEN FAUCET **DAX-S1087P**

MODEL	DAX-S1087P
ADA	NA
UPC APPROVED	YES
ANSI APPROVED	NA
ASME APPROVED	NA
WATERSENSE CERTIFIED	NA
NSF APPROVED	YES
CONNECTION SIZE	G9/16
FAUCET HOLE SIZE	NA
FAUCETS HOLE	NA
FAUCET TYPE	Nozzle
FLOW RATE (GPM)	≤2.2GPM
HANDLE STYLE	Side lever
NUMBER OF HANDLES	1
WATER LINES LENGTH	23-5/8"
INSTALLATION TYPE	Deck mount
MATERIAL	304
FINISH	Brushed stainless steel
PULL OUT SPRAY	Nozzle
PRE-RINSE	NA
SIDESPRAY	NA
SPOUT REACH	9"
SPOUT SWIVEL	360°
SPOUT TYPE	High throw
CARTRIDGE TYPE	Ceramic
MAX DECK THICKNESS	2"
INCLUDED COMPONENTS	Water lines and mounting parts



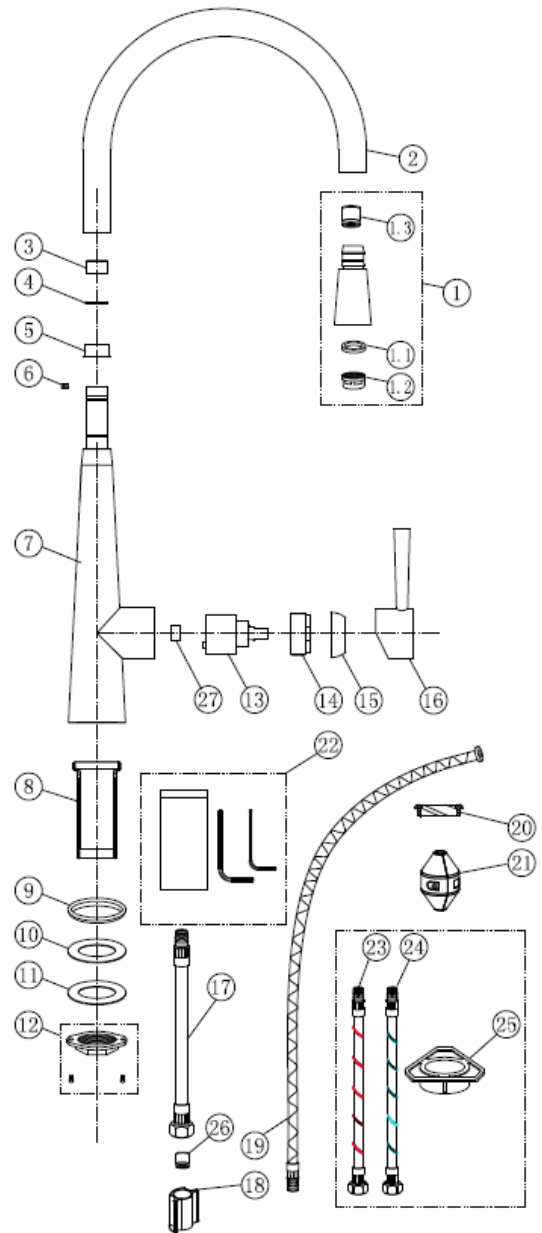


	<p>01</p>	<p>02</p>
<p>03</p>	<p>04</p>	<p>05</p>
<p>06</p>	<p>i</p>	







DIAGRAM NUMBER	DAX SKU	TITLE DESCRIPTION
1	190011843	S1087P,Shower
1.1	190004107	Washer
1.2	190004165	Neoperl Aerator
1.3	190013153	Check valve
2	190002526	Spout assembly
3	190001340	Sleeve,Plastic
4	190004090	Rubber ring
5	190001965	Ring,Plastic
6	190004658	Screw
(1) 7	190014132	Tube assembly,body
(1) 8	190013933	Shank
9	190008246	Rubber ring
10	190004111	Rubber ring
11	190000798	Plate
12	190010566	Screw nut assembly
13	190004166	Cartridge
14	190004083	Press Cover
15	190013018	Cover
16	190011841	Handle Cover Assembly
(1) 17	190013208	Hose
18	190013360	Plastic



For parts or sale requirements please contact our customer service department:

 CS@daxib.com
 1 888 685 8236

