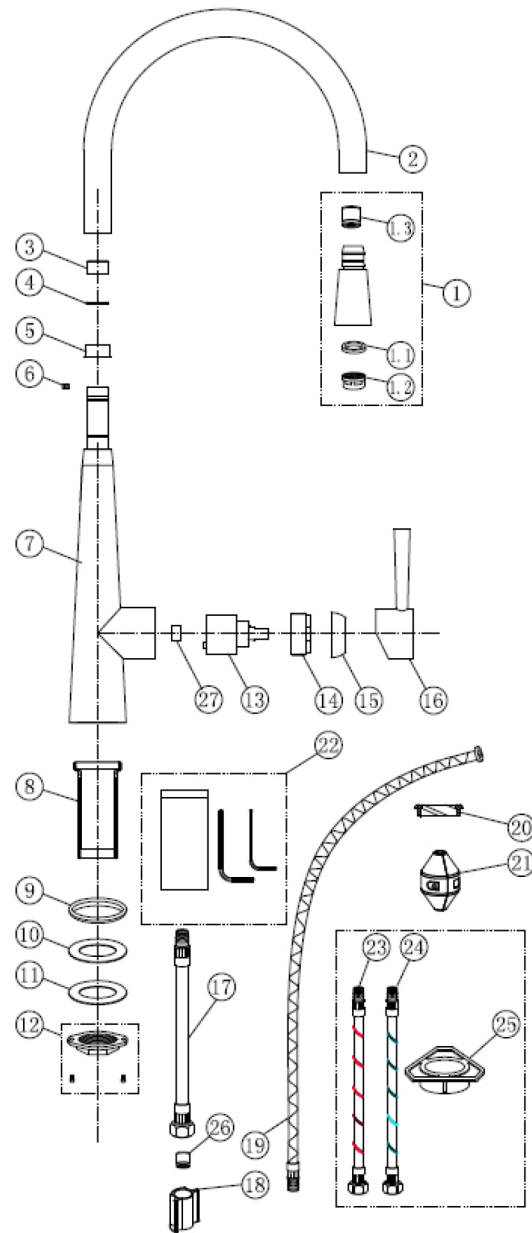




DIAGRAM NUMBER	DAX SKU	TITLE DESCRIPTION
1	190011843	SI087P,Shower
1.1	190004107	Washer
1.2	190004165	Neoperl Aerator
1.3	190013153	Check valve
2	190002526	Spout assembly
3	190001340	Sleeve,Plastic
4	190004090	Rubber ring
5	190001965	Ring,Plastic
6	190004658	Screw
(I) 7	190014132	Tube assembly,body
(I) 8	190013933	Shank
9	190008246	Rubber ring
10	190004111	Rubber ring
11	190000798	Plate
12	190010566	Screw nut assembly
13	190004166	Cartridge
14	190004083	Press Cover
15	190013018	Cover
16	190011841	Handle Cover Assembly
(I) 17	190013208	Hose
18	190013360	Plastic
19	190005530	Hose
20	190004053	Plastic Sleeve
21	190012832	Weight
22	190011426	Allen Wrench Kit
(I) 23	190012683	Hose
(I) 24	190012682	Hose
25	190002413	Plastic Fixed Set
26	190013118	Check valve
(I) 27	190007530	Restrictor



For parts or sale requirements please contact our customer service department:

CS@daxib.com

1 888 685 8236

