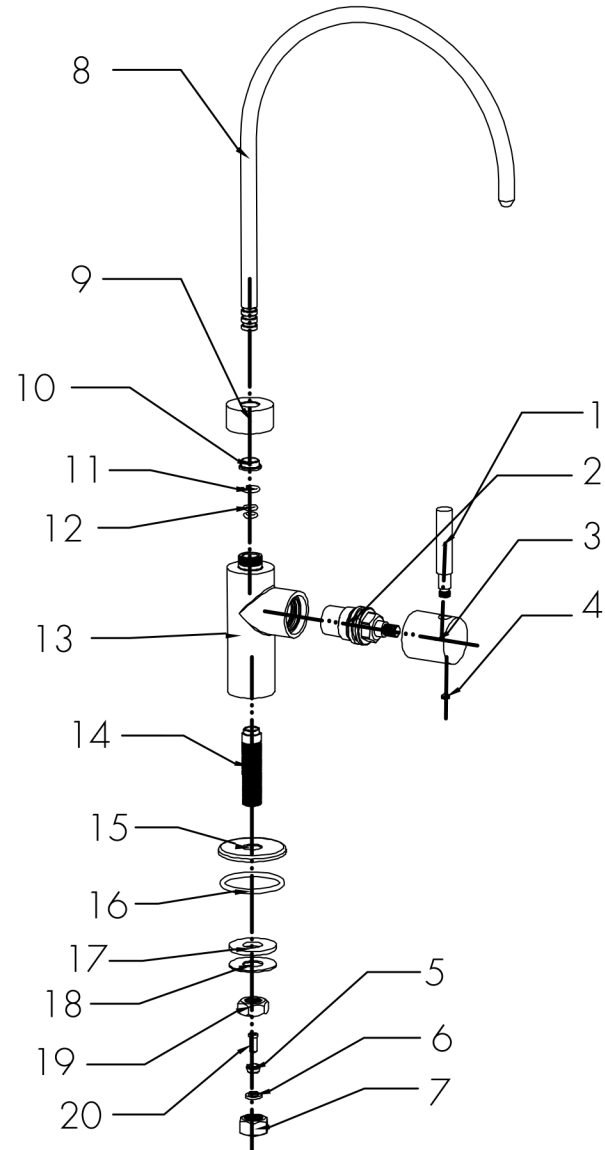




DIAGRAM NUMBER	DAX SKU	TITLE DESCRIPTION
1	0 542	Drinking water plastic pipe
2		quick spool SL15TA27
3	b0004	Water dispenser handle
4		M5x4 allen screw
5	0 542	Drinking water pipe plastic fixed grain
6	0 539	Water dispenser rubber gasket 11x5x4
7	0 537	Hex nut 17 hexagonal stick
8	2161	Water dispenser
9	0 866	Straight body water dispenser gland
10	0 529	Drinking water faucet fixed plastic ring
11	0 530	Drinking water faucet fixed plastic ring
12		O plastic 9x5x2
13	b0001	Water dispenser
14	0 535	Water dispenser screw
15	b0007	Ornaments cover
16		O plastic 41x35x3
17		Flat rubber
18	0 540	Stainless steel washer
19		Hex nut
20	0 541	Plastic pipe fixed grain



For parts or sale requirements please contact our customer service department:

CS@daxib.com

1 888 685 8236

