

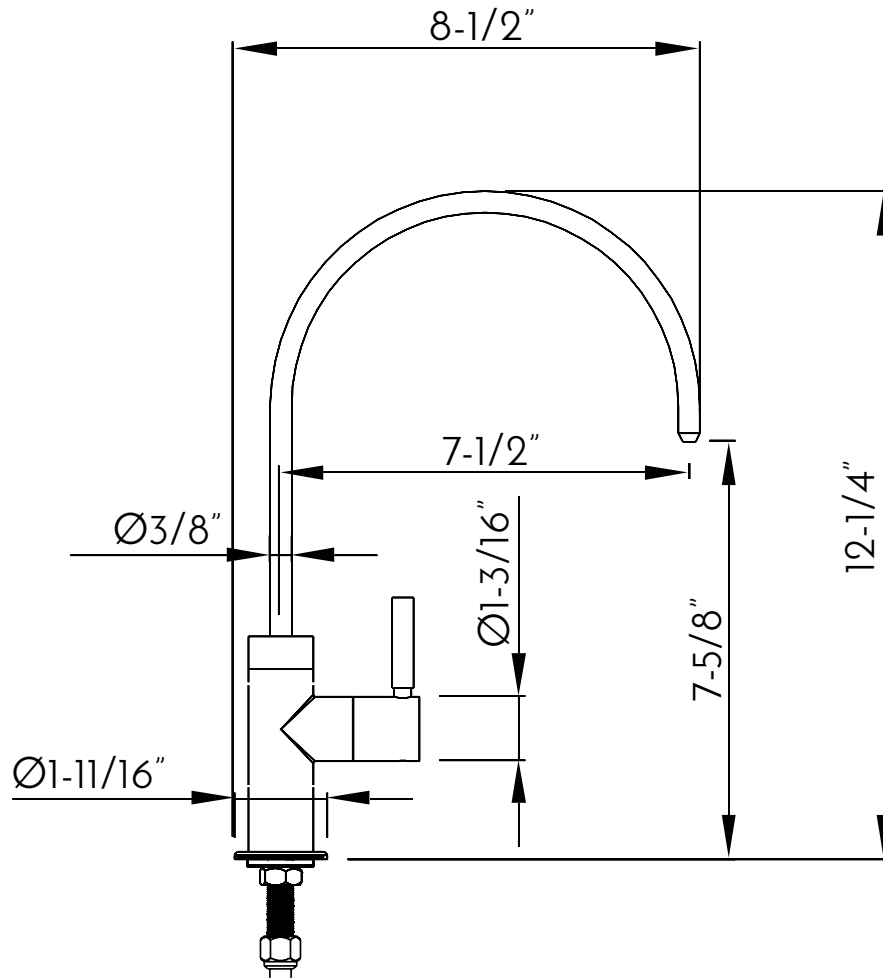


DAX-PJ-01



KITCHEN FAUCETS SERIES





FEATURES

- Fixed shower head
- Brushed stainless steel finish
- 304 stainless steel body casting
- Single sprayer
- Ceramic cartridge
- Height 12-1/4"
- Installation hole 9/16"





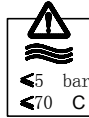
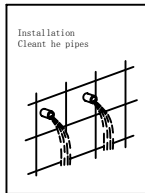
KITCHEN FAUCET **DAX-PJ-01**

MODEL	DAX-PJ-01
UPC APPROVED	NO
ANSI APPROVED	NO
ASME APPROVED	NO
WATERSENSE CERTIFIED	NO
NSF APPROVED	PASSED
CONNECTION SIZE	M12
FAUCET HOLE SIZE	9/16"
FAUCETS HOLE	1 handle
FAUCET TYPE	Net-drink faucet
HANDLE STYLE	Lever handle
NUMBER OF HANDLES	1
SIDESPRAY	SIDE
HOSE LENGTH	NO
INSTALLATION TYPE	Deck mounted
MATERIAL	304 Stainless steel
FINISH	Brushed stainless steel
SPOUT REACH	7-1/2"
SPOUT SWIVEL	Fixed
SPOUT TYPE	Standard spout
CARTRIDGE TYPE	Ceramic
MAX DECK THICKNESS	1-3/8"
INCLUDED COMPONENTS	NO

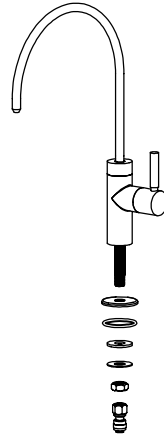




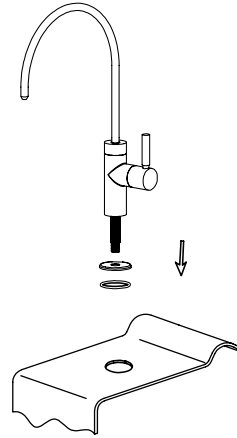
01



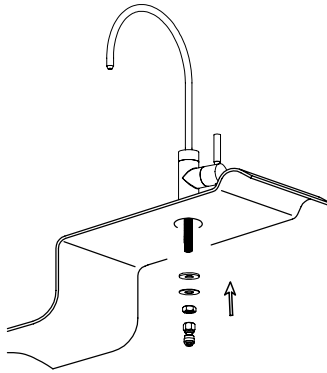
02



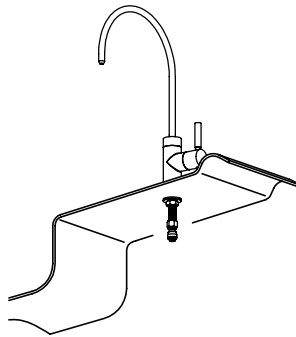
03



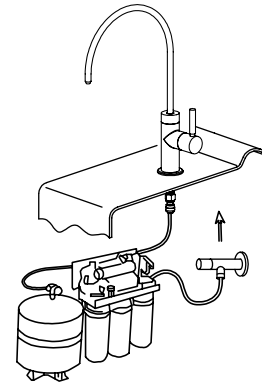
04



05



06



07

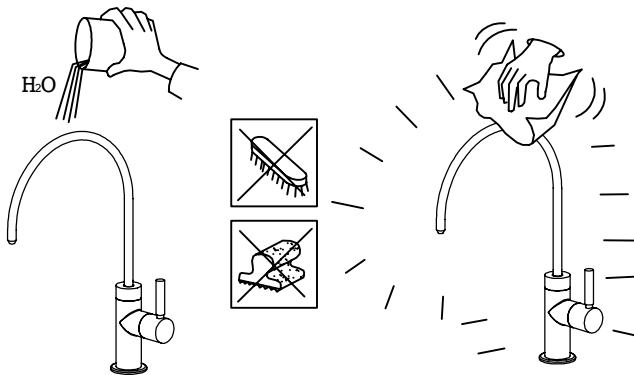
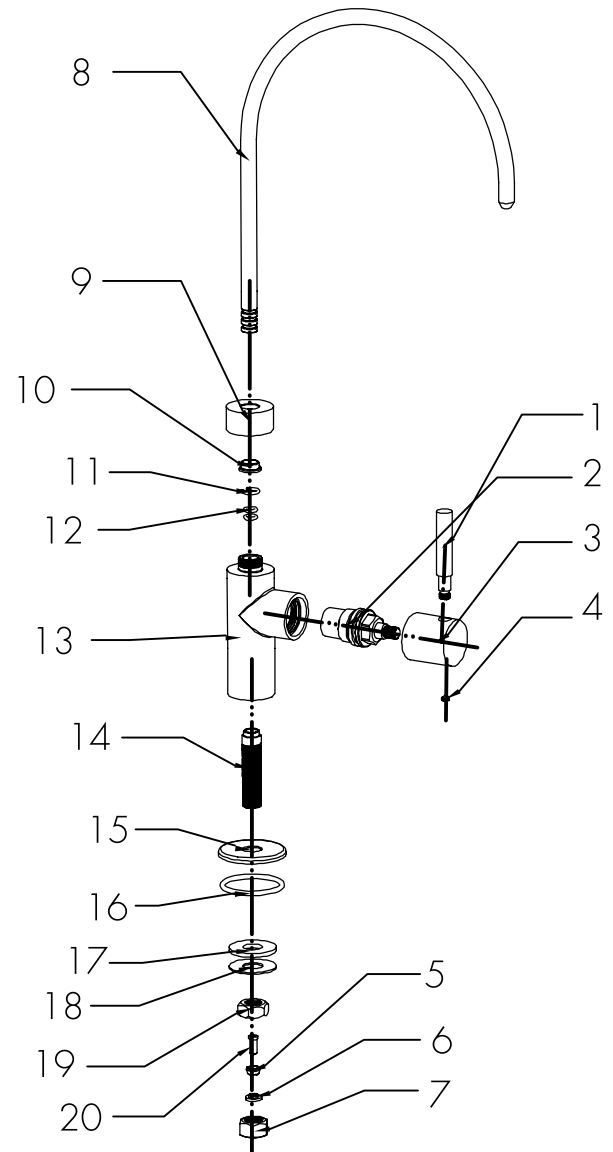




DIAGRAM NUMBER	DAX SKU	TITLE DESCRIPTION
1	0 542	Drinking water plastic pipe
2		quick spool SL15TA27
3	b0004	Water dispenser handle
4		M5x4 allen screw
5	0 542	Drinking water pipe plastic fixed grain
6	0 539	Water dispenser rubber gasket 11x5x4
7	0 537	Hex nut 17 hexagonal stick
8	2161	Water dispenser
9	0 866	Straight body water dispenser gland
10	0 529	Drinking water faucet fixed plastic ring
11	0 530	Drinking water faucet fixed plastic ring
12		O plastic 9x5x2
13	b0001	Water dispenser
14	0 535	Water dispenser screw
15	b0007	Ornaments cover
16		O plastic 41x35x3
17		Flat rubber
18	0 540	Stainless steel washer
19		Hex nut
20	0 541	Plastic pipe fixed grain



For parts or sale requirements please contact our customer service department:

 CS@daxib.com

 1 888 685 8236

