



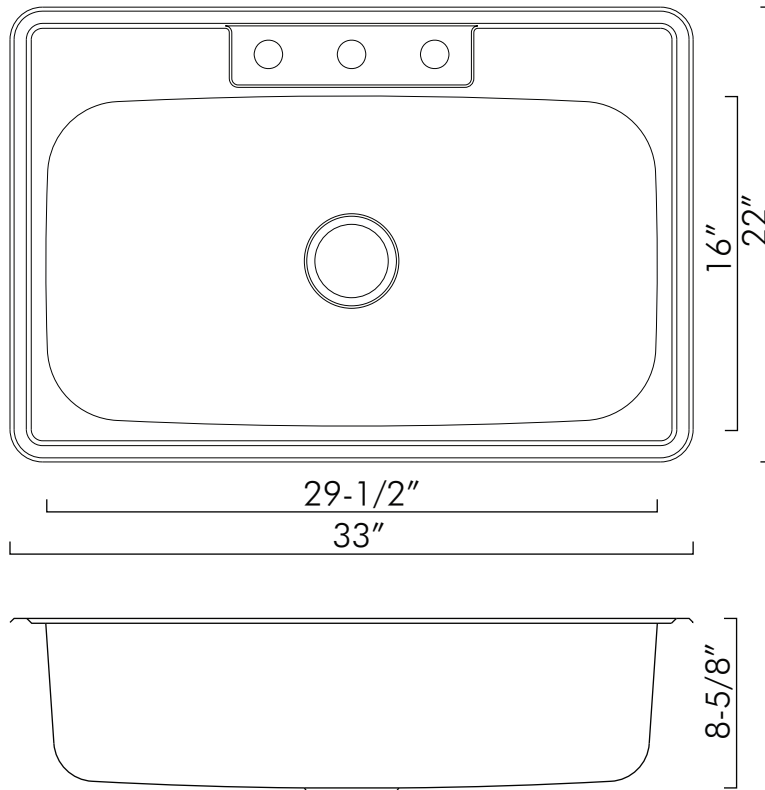
DAX-OM-3323



TOP MOUNT KITCHEN SINKS SERIES



[www.daxib.com](http://www.daxib.com)



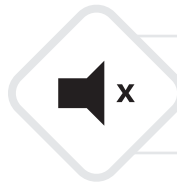
## FEATURES

- Pressed sink
- Overmount
- 304 Stainless Steel
- 20 gauge
- Brushed Stainless Steel
- Size W 33" x H 22" x D 8-5/8"
- Standard 3-1/2" drain opening
- Undercoated and sound pads
- Mounting clips

## ACCESSORIES

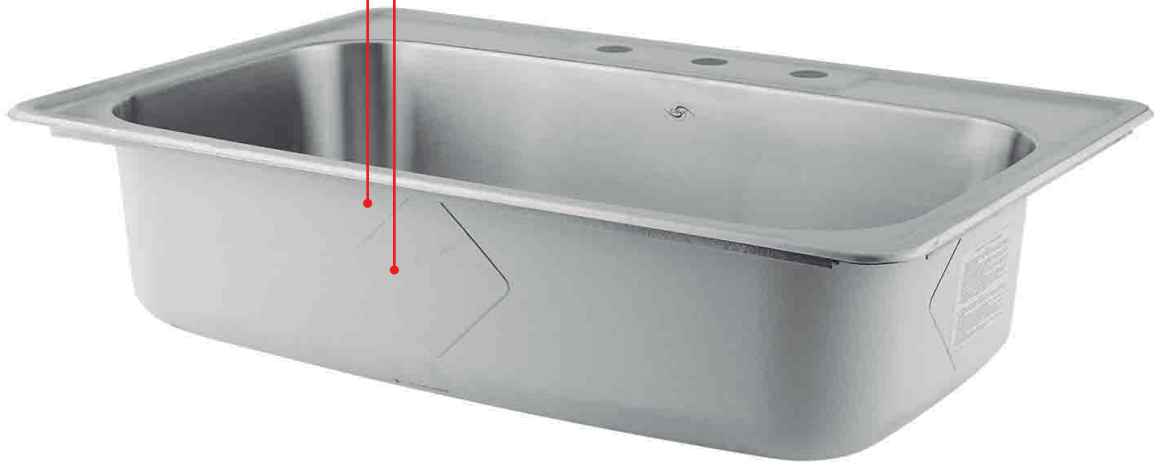
- Bottom grid not included (available)
- Stainless steel basket strainer not included (available)
- Stainless steel standard strainer not included (available)
- Dish rack not included (available)
- Grey silicone dish rack not included (available)





**TOP QUALITY  
SOUNDPROOFING**

Thick rubber dampening pads absorb vibration and noise, ensuring quieter use.



**PROTECTIVE  
UNDERCOATING**

Commercial-grade non-toxic undercoating provides extra soundproofing and prevents condensation buildup in the base cabinet

**HANDMADE**  
BY ARTISANS

UNIQUELY  
HAND CRAFTED  
BY ARTISANS

**x SOUND  
DAMPENING**

**EXTRA-THICK**  
3 mm  
RUBBER PADS

**20G**  
THICK STEEL

DURABLE  
**1.2 mm STEEL**  
CONSTRUCTION

PREMIUM GRADE  
**304**

**18% CHROMIUM**  
**10% NICKEL**  
COMPOSITION

**HIGH QUALITY**  
**DAX**  
**WARRANTY**  
PRODUCTS

CONSULTING  
AT **DAXIB.COM**





KITCHEN SINK **DAX-OM-3323**

MODEL	DAX-OM-3323
INNER BASIN WIDTH (in)	29-1/2"
INNER BASIN HEIGHT (in)	16"
HEIGHT	22"
DEPTH	8-5/8"
WIDTH	33"
BOTTOM GRIDS INCLUDED	No
BASIN SPLIT	No
BASKET STRAINER INCLUDED	No
COLANDER INCLUDED	No
DRAIN CONNECTION	3-1/2"
DRAIN PLACEMENT	Center
FARMHOUSE	No
FAUCET HOLES	3
GAUGE	20
INSTALLATION TYPE	Overmount
MATERIAL	304 Stainless Steel
MINIMUM CABINET SIZE	X
MOUNTING HARDWARE INCLUDED	Yes
NUMBER OF BASINS	1
PRODUCT WEIGHT	22.0198 lb
SINK SHAPE	Rectangle
SOUND DAMPENING	Yes
STAINLESS STEEL GRADE	304
UPC APPROVED	Yes
SINK FINISH TYPE	Brushed Stainless Steel

For parts or sale requirements please contact our customer service department:



[CS@daxib.com](mailto:CS@daxib.com)



1 888 685 8236

