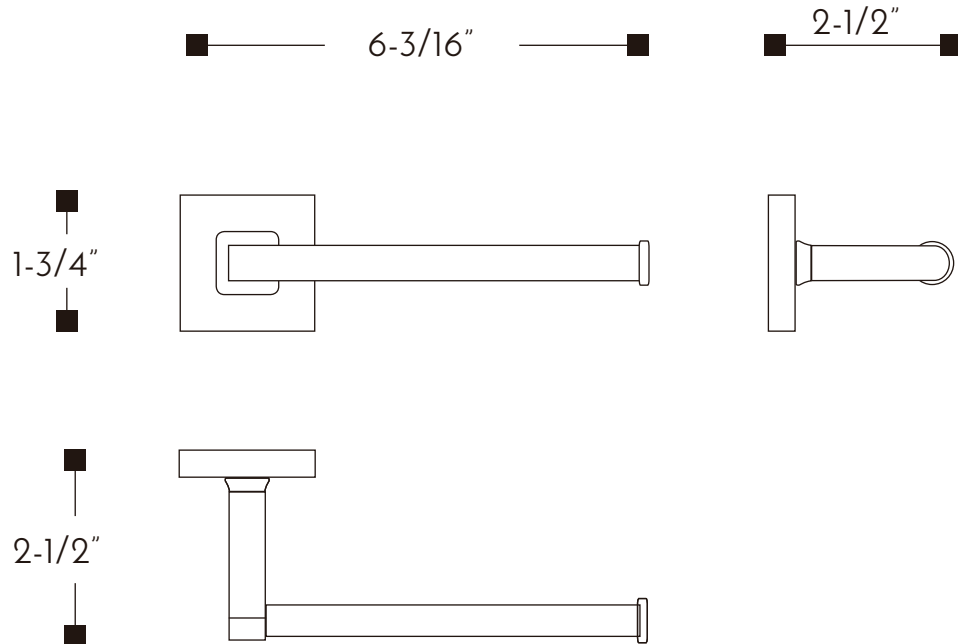




DAX-GDC160156-BN



TOILET PAPER HOLDERS **SERIES**

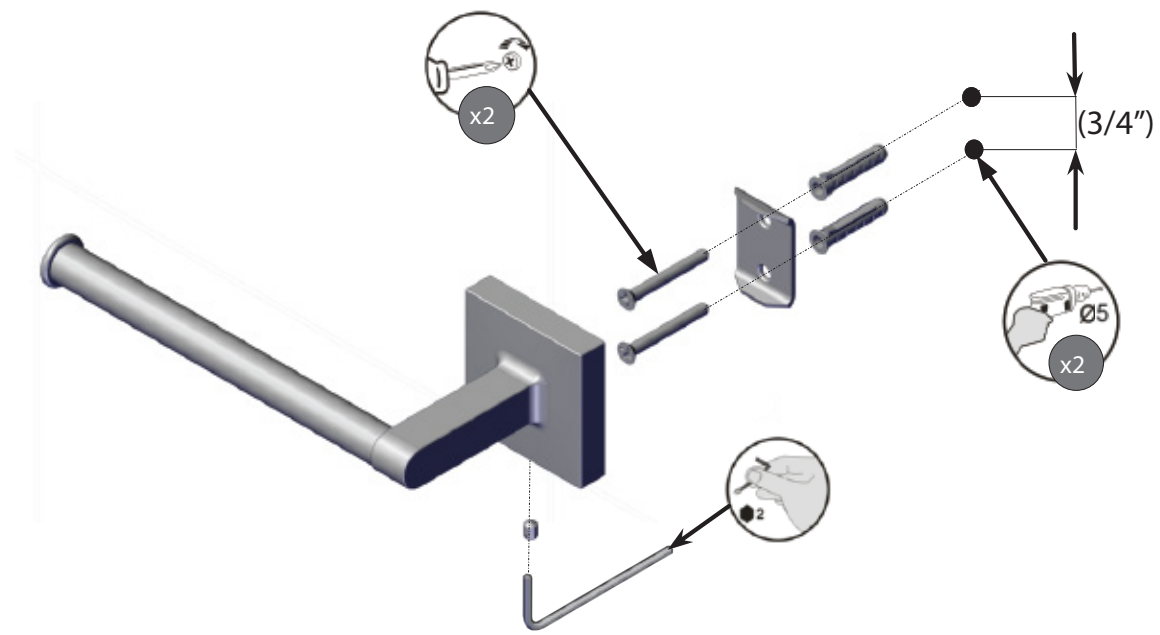


FEATURES

- Brass body
- Brushed nickel finish
- Wall mount
- Mounting parts included



X2	X2	X1	X1	X1



For parts or sale requirements please contact our customer service department:

CS@daxib.com

1 888 685 8236