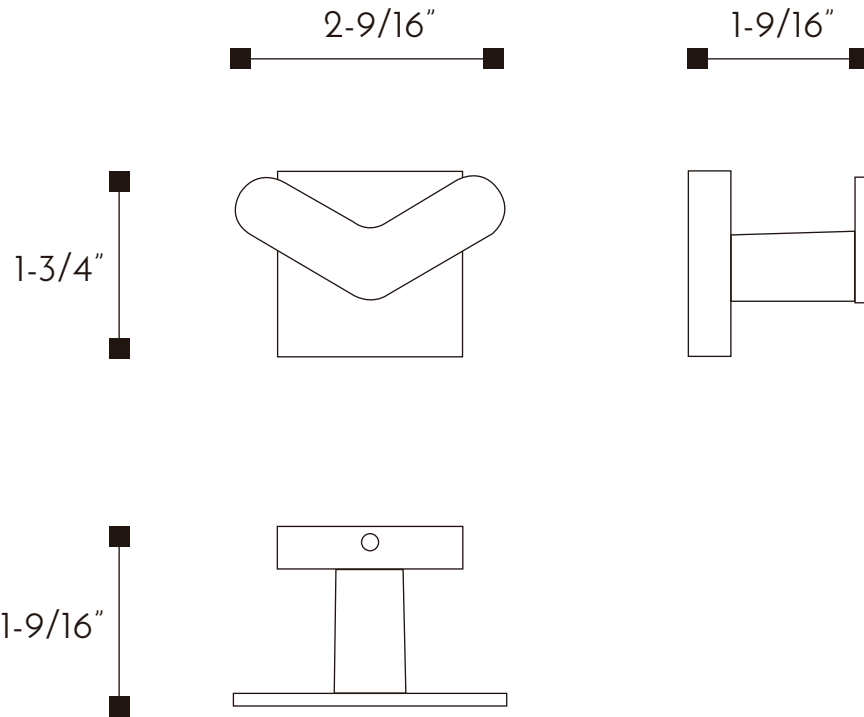




DAX-GDC160122-BN

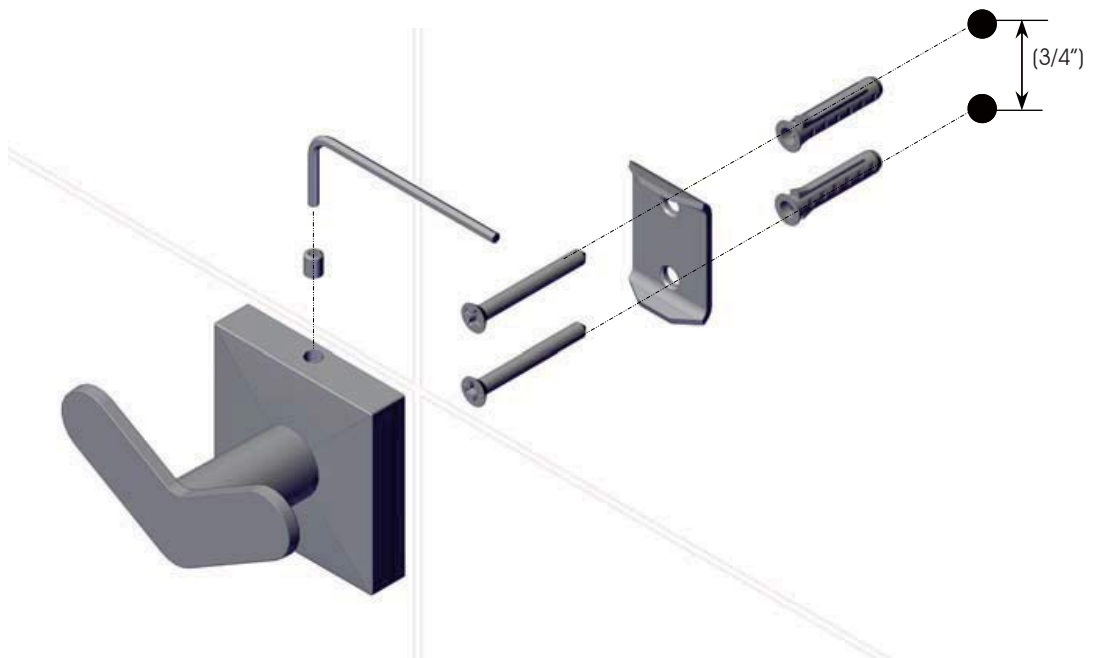
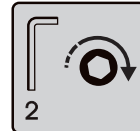
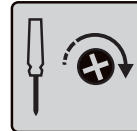
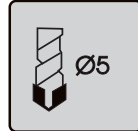
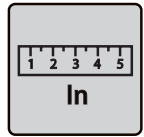


TOWEL HOLDERS **SERIES**



FEATURES

- Brass body
- Brushed nickel finish
- Wall mount
- Mounting parts included



For parts or sale requirements please contact our customer service department:



CS@daxib.com



1 888 685 8236