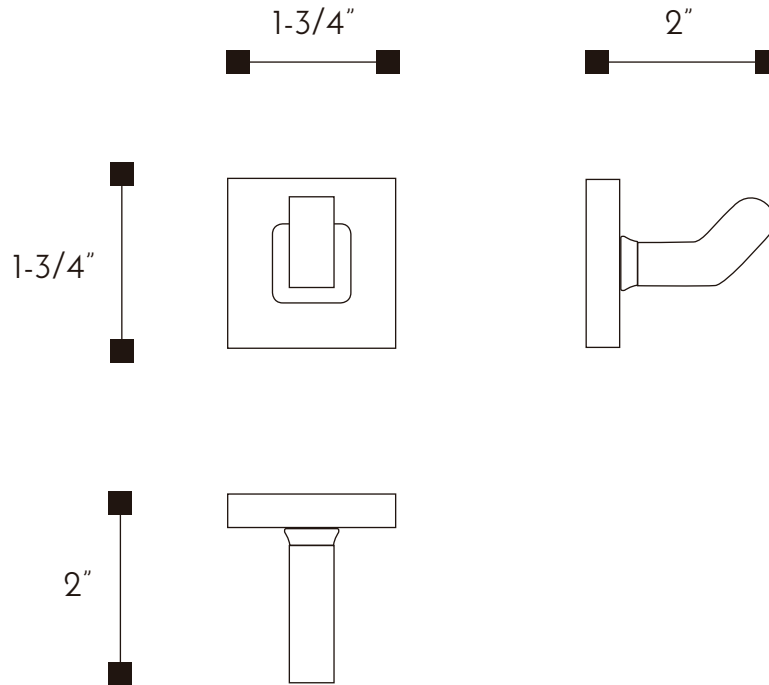




DAX-GDC160121-BN



TOWEL HOLDERS **SERIES**



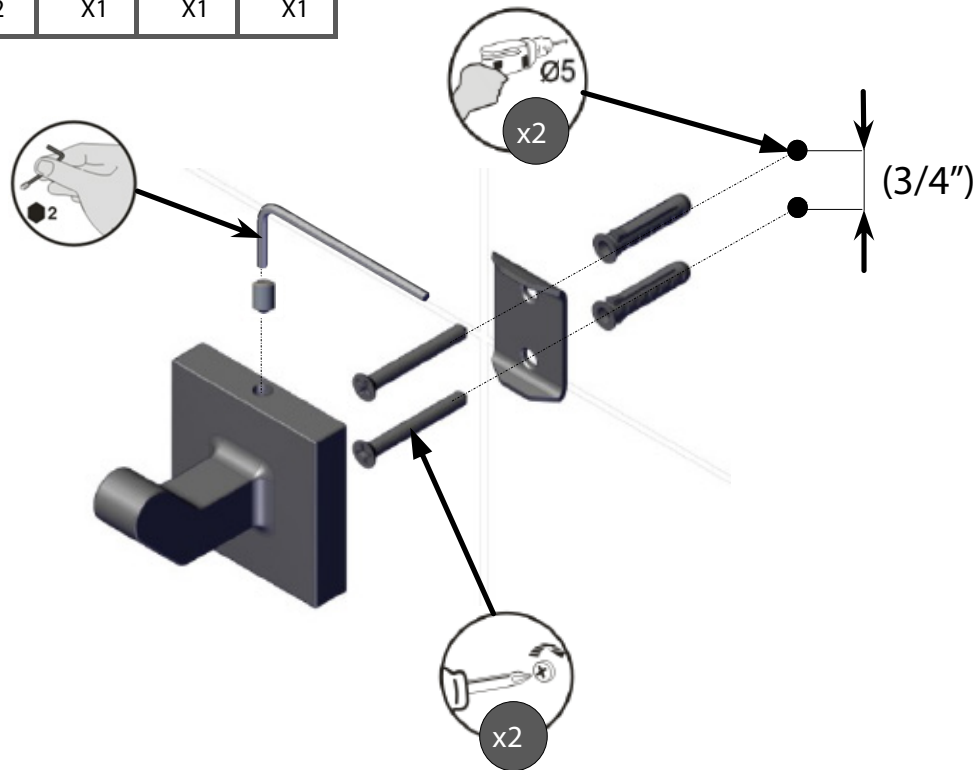
## FEATURES

---

- Brass body
- Brushed nickel finish
- Wall mount
- Mounting parts included



X2	X2	X1	X1	X1



For parts or sale requirements please contact our customer service department:

[CS@daxib.com](mailto:CS@daxib.com)

1 888 685 8236