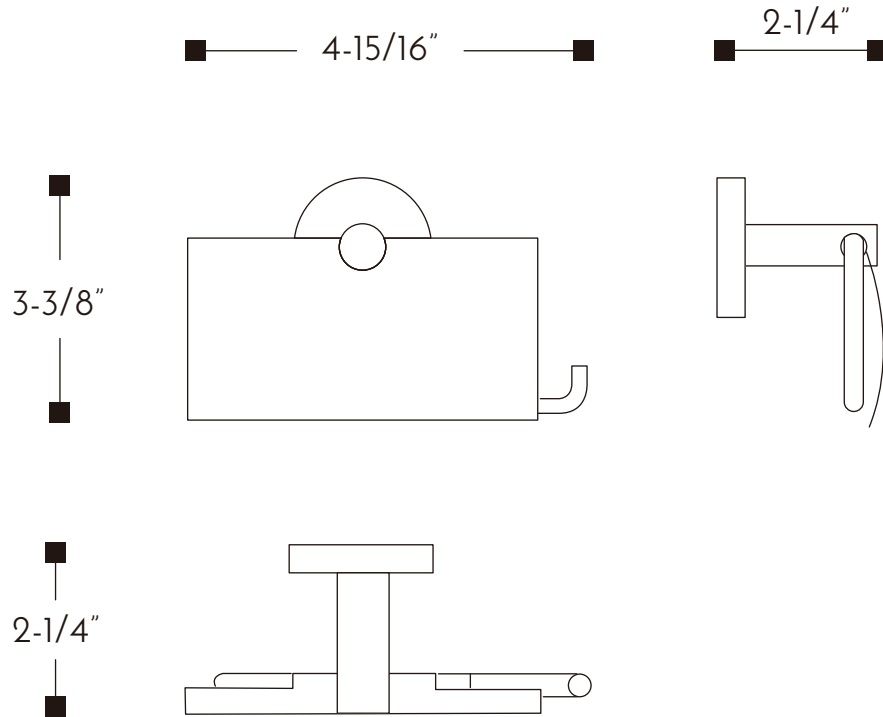




DAX-GDC120159-CR




TOILET PAPER HOLDERS **SERIES**

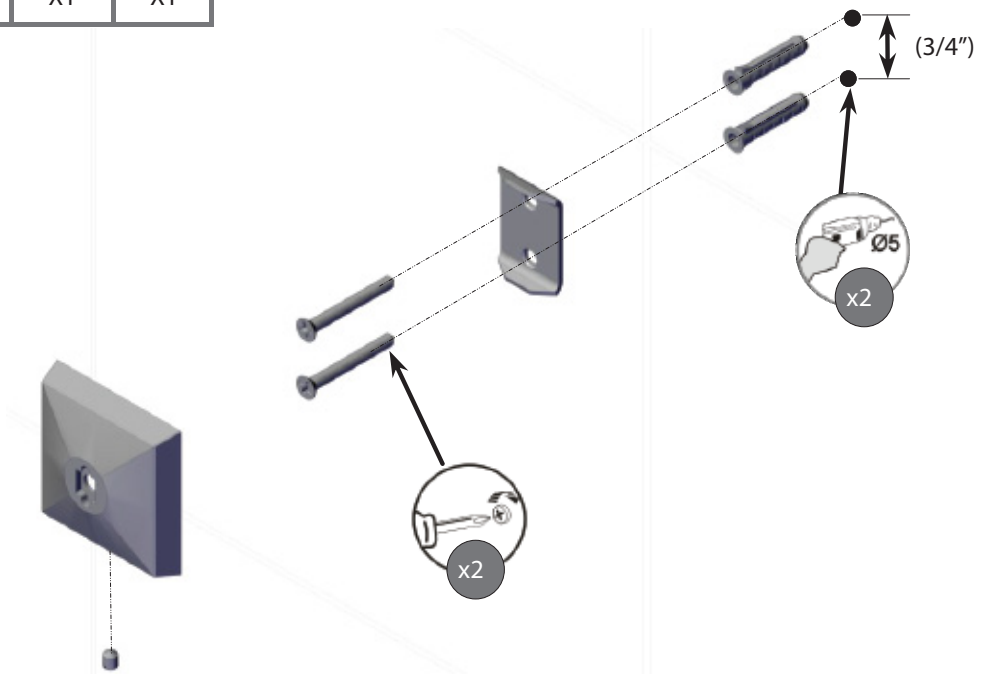


## FEATURES

- Brass body
- Chrome finish
- Wall mount
- Mounting parts included



			
X2	X2	X1	X1



For parts or sale requirements please contact our customer service department:

 [CS@daxib.com](mailto:CS@daxib.com)

 1 888 685 8236