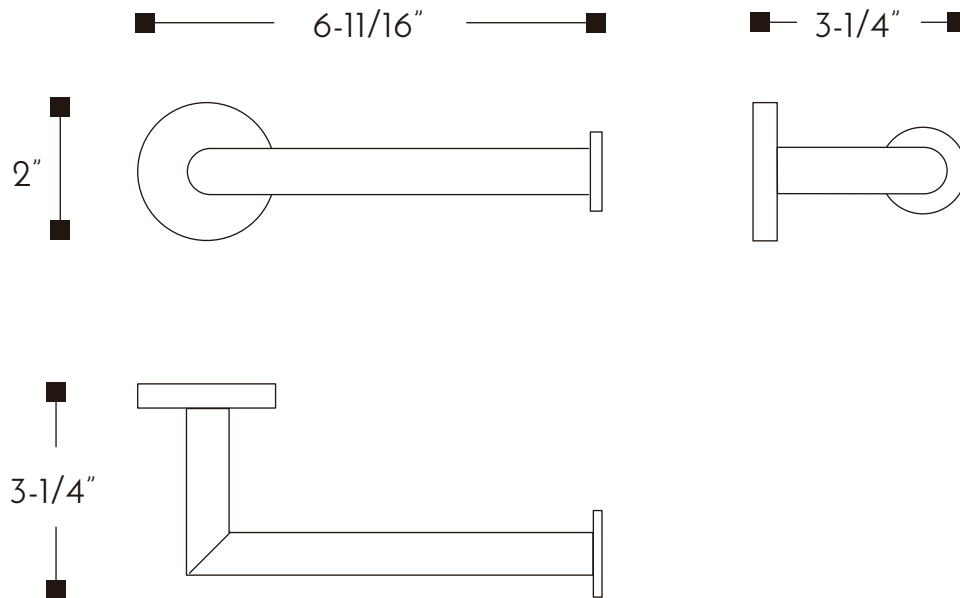




DAX-GDC120156-CR



TOILET PAPER HOLDERS **SERIES**

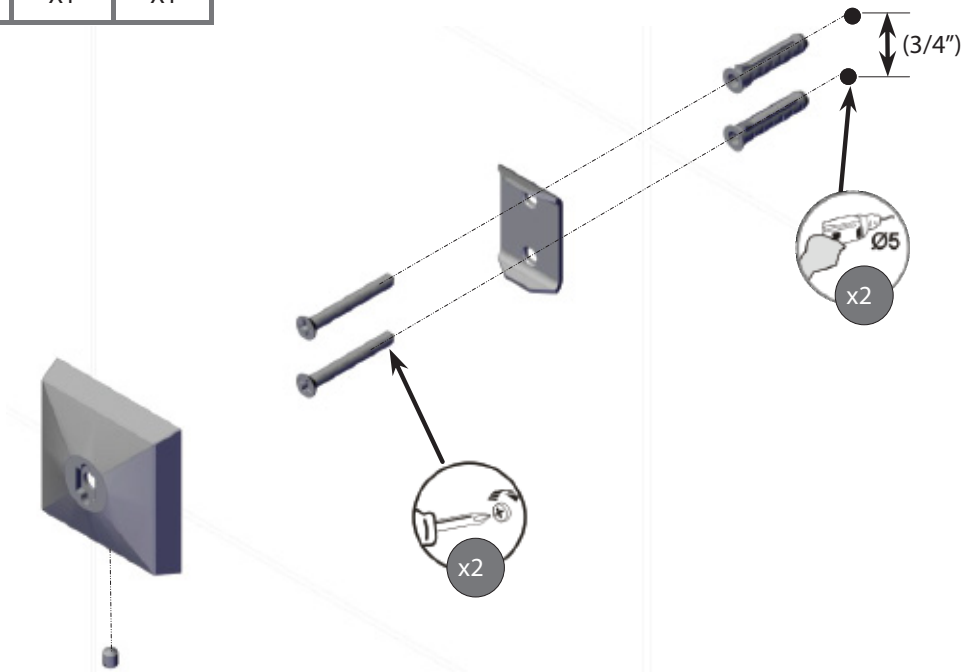


FEATURES

- Brass body
- Chrome finish
- Wall mount
- Mounting parts included



			
X2	X2	X1	X1



For parts or sale requirements please contact our customer service department:



CS@daxib.com



1 888 685 8236