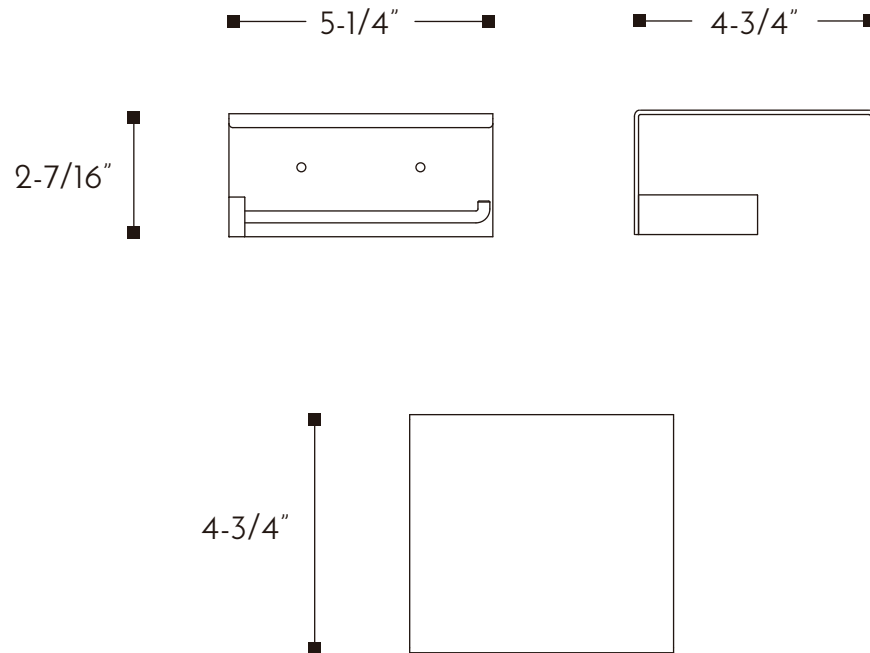




DAX-GDC060159-BN

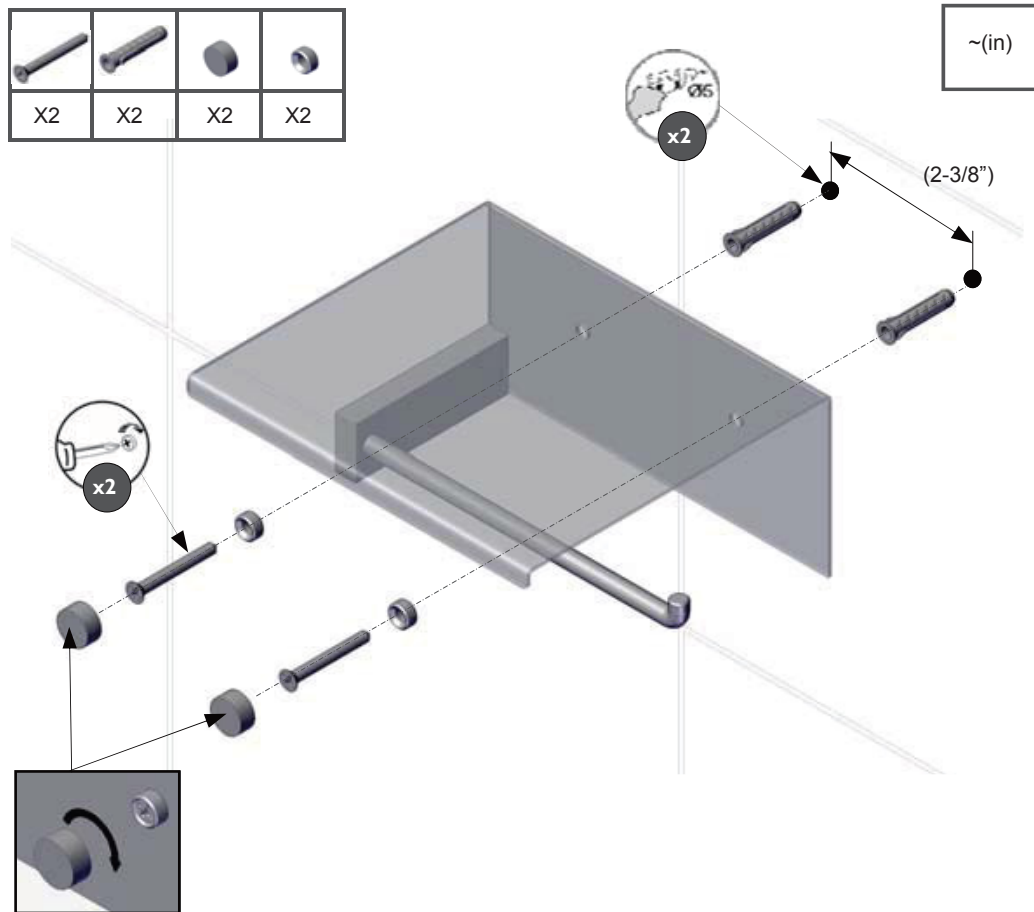


TOILET PAPER HOLDERS **SERIES**



FEATURES

- Brass body
- Brushed nickel finish
- Wall mount
- Mounting parts included



For parts or sale requirements please contact our customer service department:

CS@daxib.com

1 888 685 8236