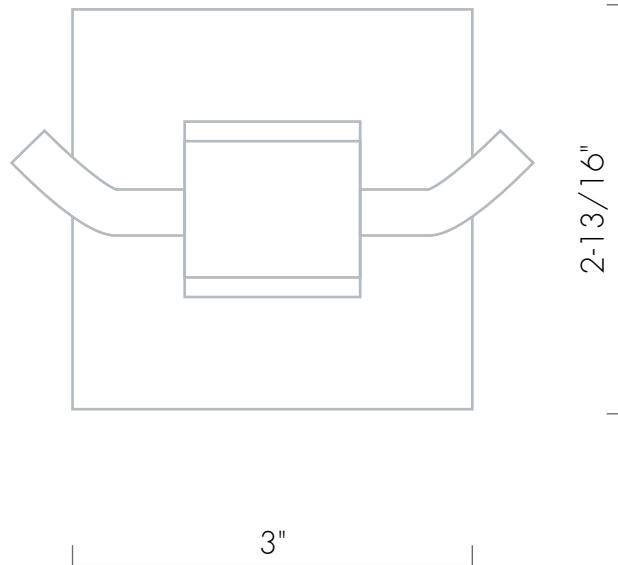




DAX-G0110-S



TOWEL HOLDERS **SERIES**



## FEATURES

- Wall mount
- Stainless steel

### TOWEL HOLDER **DAX-G0110-S**

MATERIAL	Stainless steel 304 grade
DEPTH	NA
HEIGHT	2-13/16"
LENGHT	3"
PRODUCT WEIGHT	0.2 Lbs
WIDTH	1-5/8"
FINISH	Satin
ITEMS INCLUDED	Some screw accessories
INSTALLATION TYPE	Wall mounted