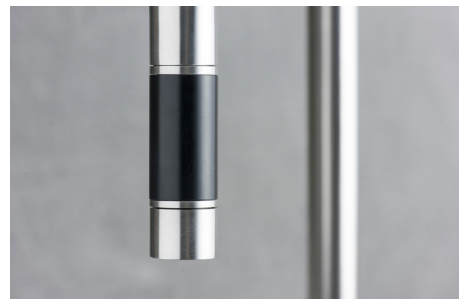




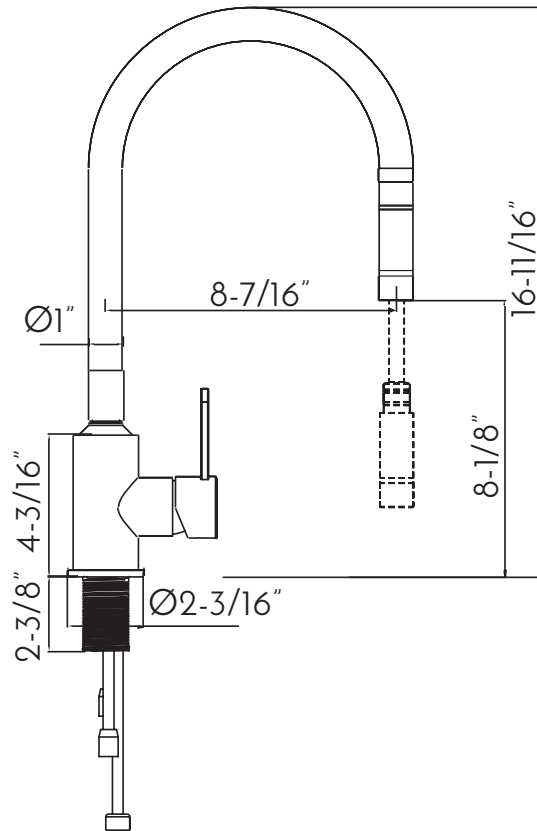
DAX-C20S



KITCHEN FAUCETS SERIES



www.daxib.com



FEATURES

- Pull down shower head
- Brushed stainless steel finish
- 304 stainless steel body casting
- Single sprayer
- Stainless steel - ABS shower head
- Ceramic cartridge
- Flow rate 2.2 GPM
- Height 16-11/16"
- Installation hole 1-3/8"
- Water lines and mounting parts included





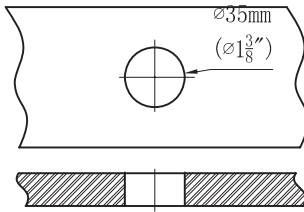
KITCHEN FAUCET DAX-C20S

MODEL	DAX-C20S
ADA	Not compliant
UPC APPROVED	CUPC approved, NOT UPC
ANSI APPROVED	YES, NSF/ANSI 61-2012
ASME APPROVED	YES, ASME A112.18.1-2012/CSA B125.1-12
NSF APPROVED	YES, NSF/ANSI 61-2012
CONNECTION SIZE	G9/16
FAUCET HOLE SIZE	Ø1-3/8" - 1-1/2"
FAUCETS HOLE	Single hole
FAUCET TYPE	Pull down Kitchen Faucet
FLOW RATE (GPM)	2.2 GPM
HANDLE STYLE	Single handle with cold and hot
NUMBER OF HANDLES	1
HOSE LENGTH	19-11/16"
INSTALLATION TYPE	Deck mounted
MATERIAL	Stainless steel 304
FINISH	Brushed stainless steel
PULL OUT SPRAY	Pull-down spray head
SPOUT REACH	8-7/16"
SPOUT SWIVEL	360°
SPOUT TYPE	Pull-down
CARTRIDGE TYPE	Ceramic cartridge
MAX DECK THICKNESS	1-3/16"

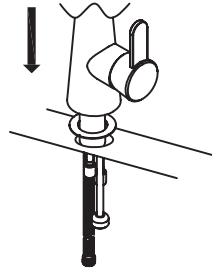




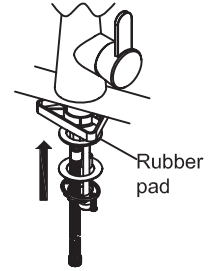
01



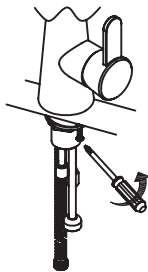
02



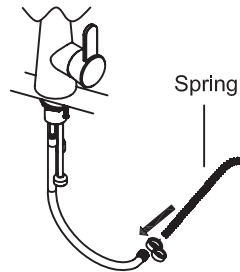
03



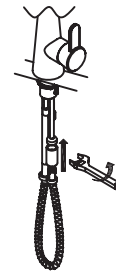
04



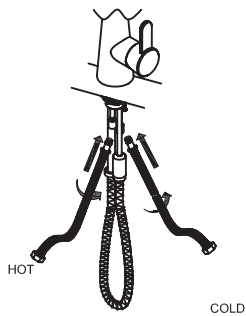
05



06



07



08

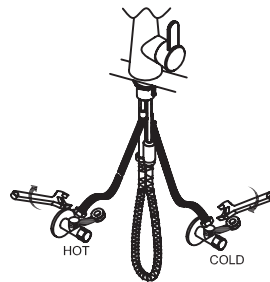
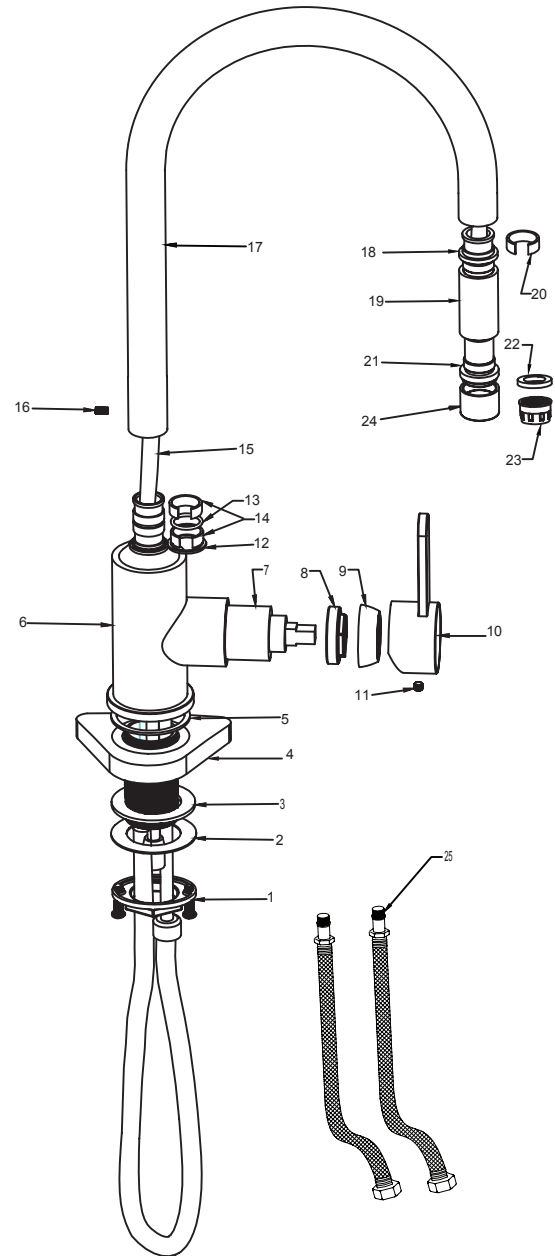




DIAGRAM NUMBER	DAX SKU	TITLE DESCRIPTION
1	RP110215	Mounting Cut
2	RP110216	Washer
3	RP110217	Shim
4	RP110218	Strengthening part
5	RP110219	Shim
6	RP110220	The Faucet Body
7	RP110221	The valve core/Cartridge
8	RP110222	Clamp nut
9	RP110223	Decorative cover
10	RP110224	The handle
11	RP110225	M5 Screw
12	RP110226	Gasket
13	RP110227	O ring
14	RP110228	Plastic Gasket
15	RP110229	Flex hose
16	RP110230	M4 screw
17	RP110231	The faucet bend
18	RP110232	Connector
19	RP110233	Pull handle
20	RP110234	Plastic Gasket
21	RP110235	Nozzle adapter
22	RP110236	Gasket
23	RP110237	Aerator
24	RP110238	Nozzle
25	RP110239	Hose



For parts or sale requirements please contact our customer service department:

CS@daxib.com

1 888 685 8236

