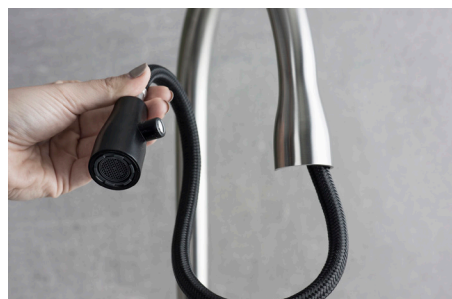


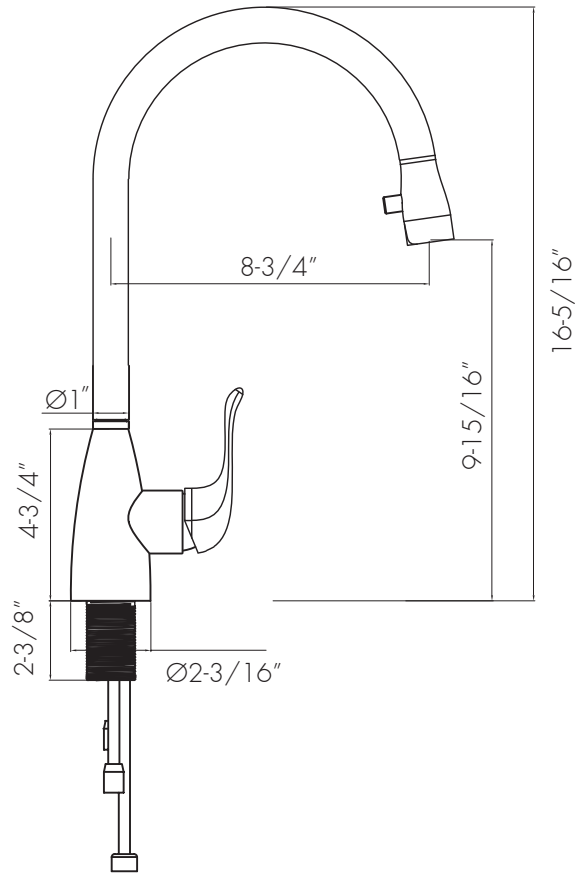


DAX-C17S



KITCHEN FAUCETS SERIES





## FEATURES

- Pull down shower head
- Brushed stainless steel finish
- 304 stainless steel body casting
- Single sprayer
- ABS shower head
- Ceramic cartridge
- Flow rate 2.2 GPM
- Height 16-5/16"
- Installation hole 1-3/8"
- Water lines and mounting parts included





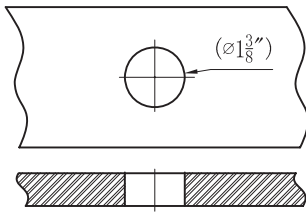
KITCHEN FAUCET **DAX-C17S**

MODEL	DAX-C17S
ADA	Not compliant
UPC APPROVED	NA
ANSI APPROVED	NA
ASME APPROVED	NA
WATERSENSE CERTIFIED	NA
NSF APPROVED	NA
CONNECTION SIZE	G9/16
FAUCET HOLE SIZE	Ø1-3/8" - 1-1/2"
FAUCETS HOLE	Single hole
FAUCET TYPE	Pull down Kitchen Faucet
FLOW RATE (GPM)	2.2 GPM
HANDLE STYLE	Single handle with cold and hot
NUMBER OF HANDLES	1
HOSE LENGTH	19-11/16"
INSTALLATION TYPE	Deck mounted
MATERIAL	Stainless steel 304
FINISH	Brushed stainless steel
PULL OUT SPRAY	Pull-down spray head
SPOUT REACH	8-3/4"
SPOUT SWIVEL	360°
SPOUT TYPE	Pull-down
CARTRIDGE TYPE	Ceramic
MAX DECK THICKNESS	1-3/16"

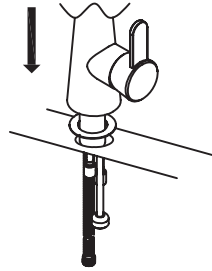




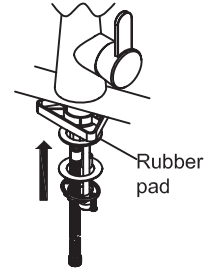
01



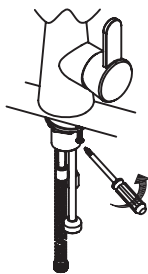
02



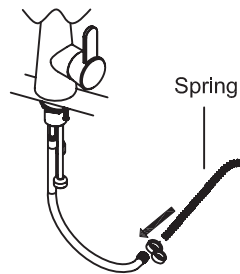
03



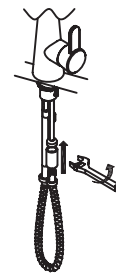
04



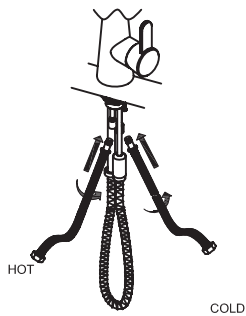
05



06



07



08

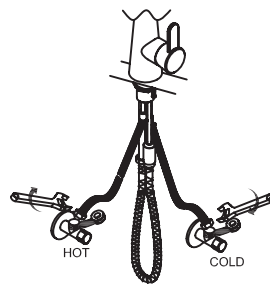
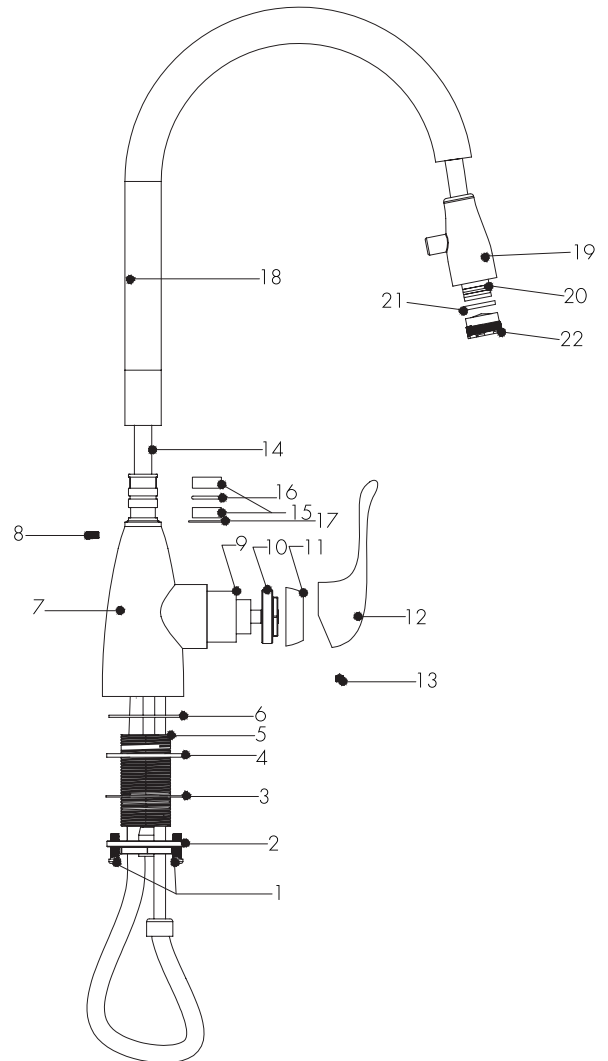




DIAGRAM NUMBER	DAX SKU	TITLE DESCRIPTION
1	RP110193	M5 screw
2	RP110194	Mounting nut
3	RP110195	Washer
4	RP110196	Shim
5	RP110197	M34 screw barrel
6	RP110198	Shim
7	RP110199	Faucet body
8	RP110200	M4 screw
9	RP1101201	Valve core/Cartridge
10	RP1101202	Clamp nut
11	RP1101203	Decorative cover
12	RP1101204	Handle
13	RP110205	M5 screw
14	RP110206	Flex hose
15	RP110207	Plastic gasket
16	RP110208	O-ring
17	RP110209	Gasket
18	RP110210	Faucet bend
19	RP110211	Nozzle
20	RP110212	Connector
21	RP110213	Gasket
22	RP110214	Aerator



For parts or sale requirements please contact our customer service department:



CS@daxib.com



1 888 685 8236