



DAX-C107B

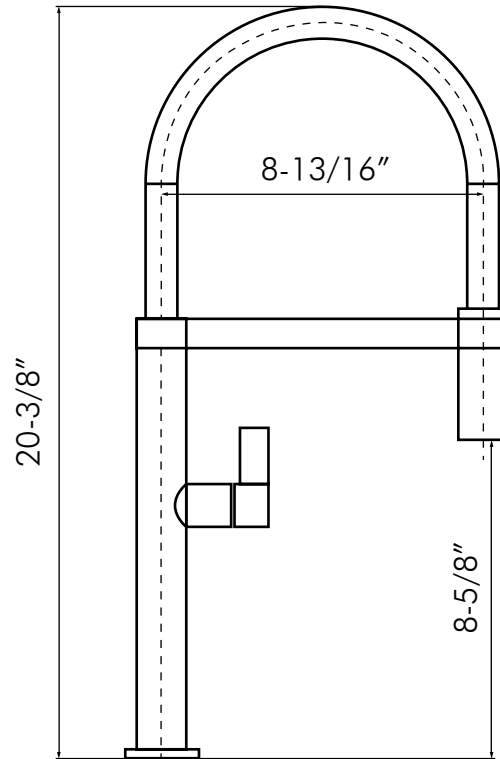


KITCHEN FAUCETS SERIES





DAX-C107B



FEATURES

- Pull out shower head
- Brushed stainless steel finish
- 304 stainless steel body casting
- Single Sprayer
- Stainless steel shower head
- Black rubber neck
- Ceramic cartridge
- Flow rate 1.75 GPM
- Height 20-3/8"
- Installation hole 1-3/8"
- Water lines and mounting parts included





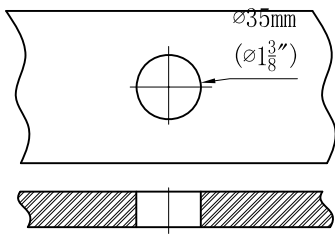
KITCHEN FAUCET **DAX-C107B**

MODEL	DAX-C107B
ADA	Not compliant
UPC APPROVED	NA
ANSI APPROVED	NA
ASME APPROVED	NA
WATERSENSE CERTIFIED	NA
NSF APPROVED	NA
CONNECTION SIZE	G9/16
FAUCET HOLE SIZE	Ø1-3/8" - 1-1/2"
FAUCETS HOLE	Single hole
FAUCET TYPE	Pull out Kitchen Faucet
FLOW RATE (GPM)	1.75 GPM
HANDLE STYLE	Single handle with cold and hot
NUMBER OF HANDLES	1
HOSE LENGTH	19-11/16"
INSTALLATION TYPE	Deck mounted
MATERIAL	Stainless steel 304
FINISH	Black
PULL OUT SPRAY	Pull-out spray head
SPOUT REACH	8-13/16"
SPOUT SWIVEL	360°
SPOUT TYPE	Pull-out
CARTRIDGE TYPE	Ceramic cartridge
MAX DECK THICKNESS	1-3/16"

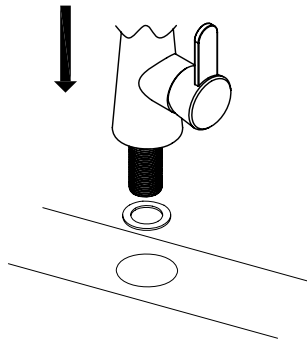




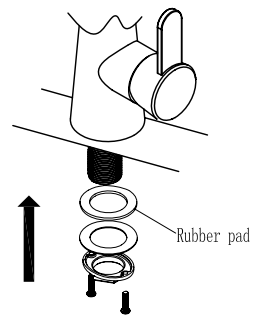
01



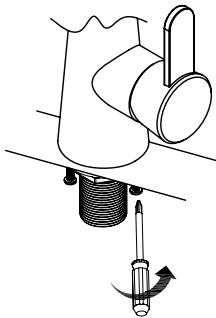
02



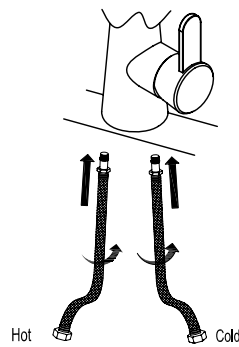
03



04



05



06

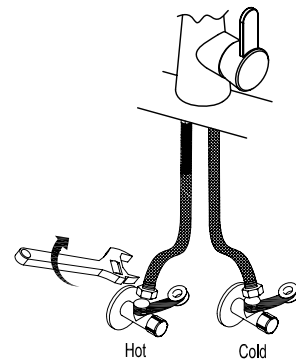
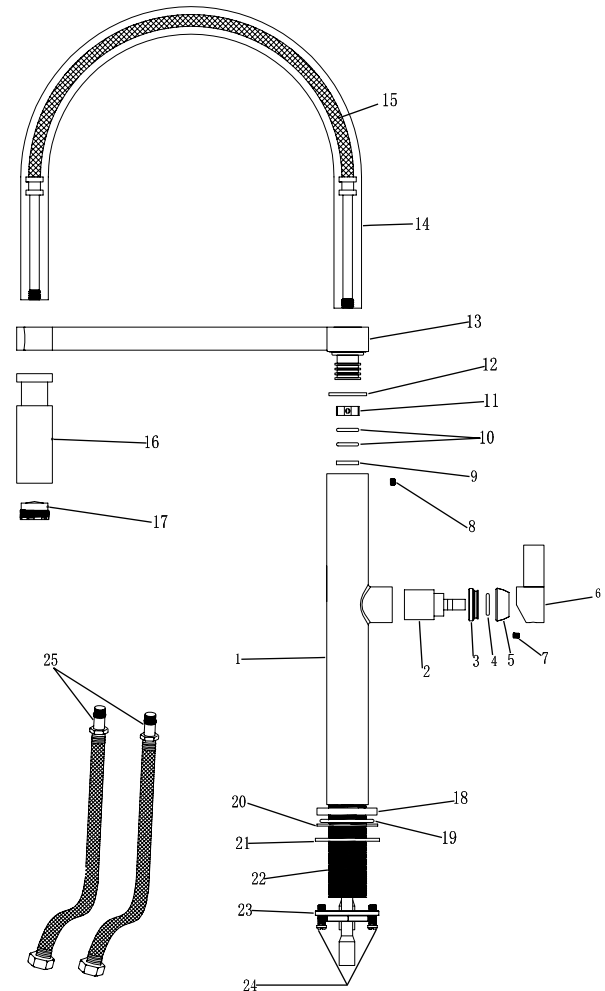




DIAGRAM NUMBER	DAX SKU	TITLE DESCRIPTION
1	RP110283	The faucet body
2	RP110284	The valve core/ cartridge
3	RP110285	Clamp nut
4	RP110286	O-ring
5	RP110287	Decorative cover
6	RP110288	The handle
7	RP110289	M5 Screw
8	RP110290	M5 Screw
9	RP110291	Plastic gasket
10	RP110292	O-ring
11	RP110293	Plastic gasket
12	RP110294	Shim
13	RP110295	Swinging Strut
14	RP110296	Silicone hose
15	RP110297	Braided hose
16	RP110298	Nozzle
17	RP110299	Aerator
18	RP110300	The base
19	RP110301	Gasket
20	RP110302	Shim
21	RP110303	Washer
22	RP110304	M32 Screw Barrel
23	RP110305	Mounting Nut
24	RP110306	M5 Screw
25	RP110307	Hose



For parts or sale requirements please contact our customer service department:

CS@daxib.com

1 888 685 8236