



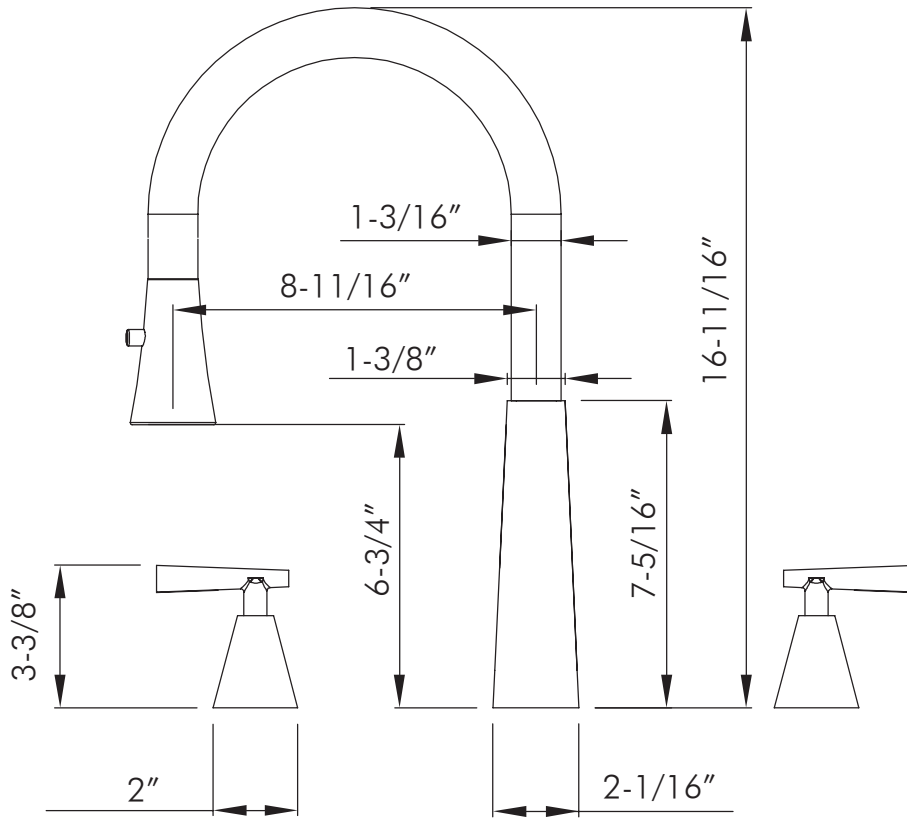
DAX-C01302



KITCHEN FAUCETS SERIES



[www.daxib.com](http://www.daxib.com)



## FEATURES

- Pull down shower head
- Brushed stainless steel finish
- 304 stainless steel body casting
- Dual sprayer
- ABS shower head
- Ceramic cartridge
- Flow rate 2.2 GPM
- Height 16-11/16"
- Installation hole 1-3/8"
- Water lines and mounting parts included

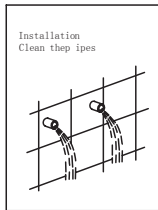




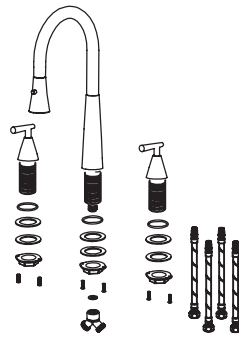
**KITCHEN FAUCET DAX-C01302**

MODEL	DAX-013-02
ADA	NO
UPC APPROVED	NO
ANSI APPROVED	NO
ASME APPROVED	NO
WATERSENSE CERTIFIED	NO
NSF APPROVED	PASSED
CONNECTION SIZE	M34
FAUCET HOLE SIZE	1-3/8"
FAUCETS HOLE	3 Holes
FAUCET TYPE	Contemporary kitchen faucet
FLOW RATE (GPM)	2.2 GPM
HANDLE STYLE	Lever handle
NUMBER OF HANDLES	2 Handles
HOSE LENGTH	AMERICAN 3/8 INLET HOSE 19-11/16" & GI/2 INLET HOSE 19-11/16"
INSTALLATION TYPE	Deck mounted
MATERIAL	304 Stainless steel
FINISH	Brushed stainless steel
PULL OUT SPRAY	Stainless steel
PRE-RINSE	No
SIDESPRAY	Separate
SPOUT REACH	8" - 10"
SPOUT SWIVEL	360° Swivel
SPOUT TYPE	Gooseneck Spout
CARTRIDGE TYPE	Ceramic
MAX DECK THICKNESS	0 - 1-3/8"
INCLUDED COMPONENTS	Water lines and mounting parts

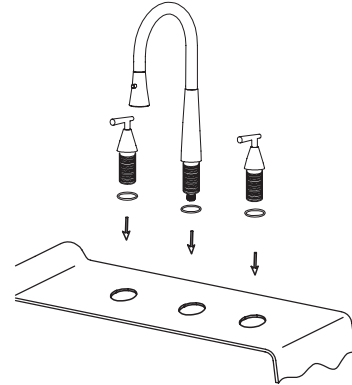




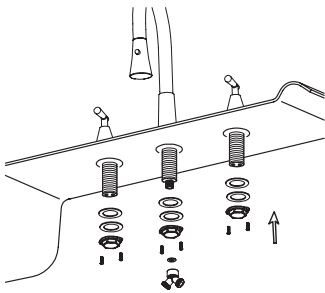
01



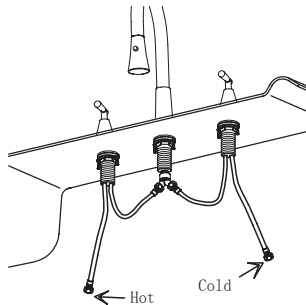
02



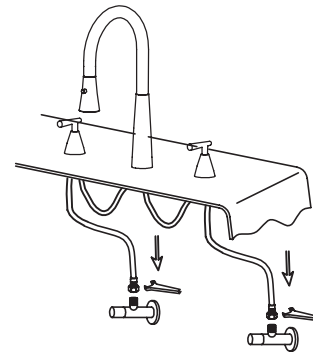
03



04



05



i

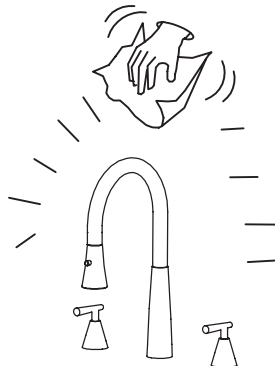
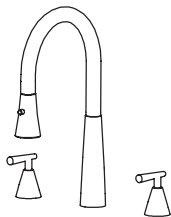
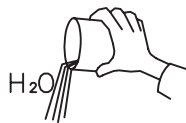
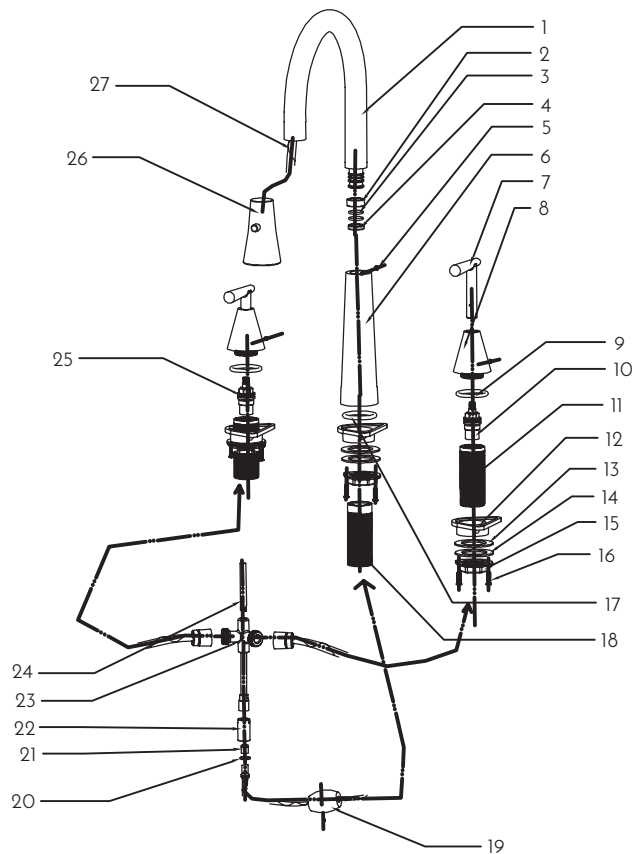






DIAGRAM NUMBER	DAX SKU	TITLE DESCRIPTION
1		Bending pipe
2		Locating plastic ring
3		O-gum 21.3 x 16 x 2.65
4		Plastic ring
5		M5x6 hezagon set screws
6		Kitchen faucet main body
7		Separated faucet handle bar
8		Separated faucet decorative basement
9		O-gum 45 x 35.6 x 4.7
10		Fast on cartridge SL15TA270 (BLUE)
11		Separated faucet valve body
12		Bottom locating plastic basement
13		Flat rubber for sink basement
14		Stainless steel punching flat washer
15		Nut M34
16		Stainless steel machine screw M5x16
17		O-gum 48 x 37.5 x 5.25
18		M34 screw thread pipe
19		Iron sag 660g
20		Flat rubber 14 x 8.5 x 2
21		Check valve 30. 4010. 0. 0002 DW10 DN6
22		Fast nut
23		Pull out three way connection
24		Connect bar
25		Fast on cartridge SL15TA270 (RED)
26		Plastic shower head
27		Pull out hose 1800mm



For parts or sale requirements please contact our customer service department:

[CS@daxib.com](mailto:CS@daxib.com)

1 888 685 8236

