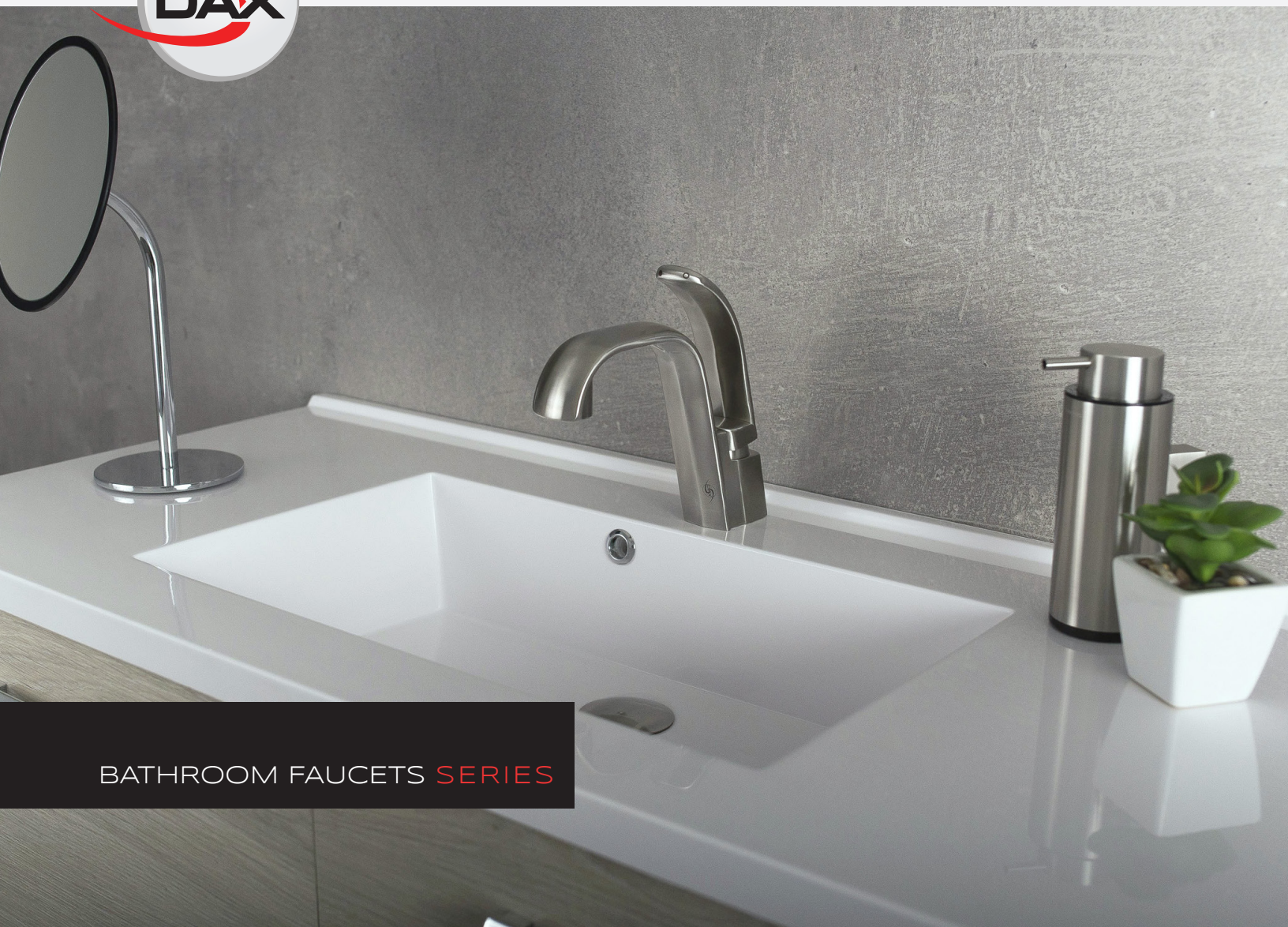


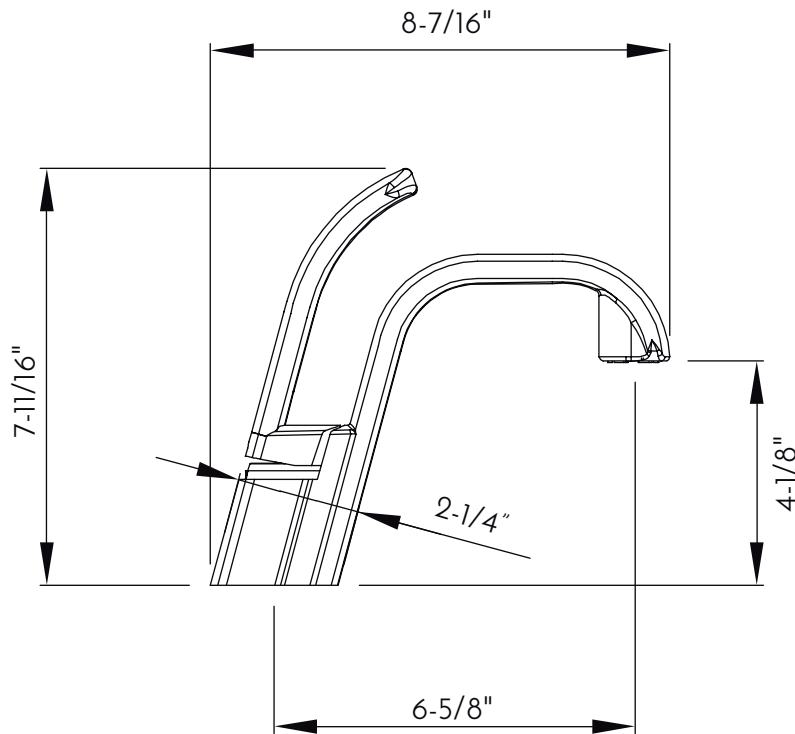


DAX-C011-02



BATHROOM FAUCETS SERIES





## FEATURES

- Single Lever
- Ceramic cartridge
- Stainless steel body
- Flow rate 1.5 GPM
- Installation hole 1-3/8"
- Brushed Stainless Steel finish
- Hoses and mounting parts included
- Pop up drain not included (available)





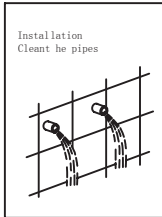
BATHROOM FAUCET **DAX-CO11-02**

MODEL	DAX-CO11-02
UPC APPROVED	No
ANSI APPROVED	No
ASME APPROVED	No
WATERSENSE CERTIFIED	No
NSF APPROVED	Yes
CONNECTION SIZE	M34
FAUCET HOLE SIZE	1-3/8"
FAUCETS HOLE	1 Hole
FAUCET TYPE	Contemporary basin faucet
FLOW RATE (GPM)	1.5 Gpm
HANDLE STYLE	Lever handle
NUMBER OF HANDLES	1 Handle
HEIGHT	7-11/16"
HOSE LENGTH	American 3/8 inlet hose 500mm
INSTALLATION TYPE	Deck mounted
MATERIAL	Stainless steel
FINISH	Brushed stainless steel
SIDESPRAY	Side
SPOUT HEIGHT	4-1/8"
SPOUT REACH	6-5/8"
SPOUT SWIVEL	Fixed
SPOUT TYPE	Standard spout
CARTRIDGE TYPE	Ceramic
POP-IP INCLUDED	No
MAX DECK THICKNESS	0 - 1-3/8"

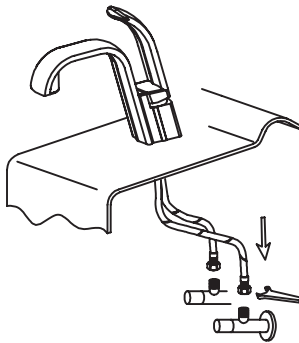




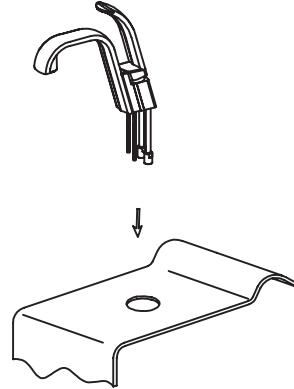
01



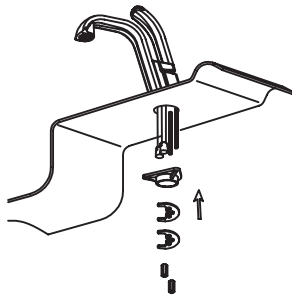
02



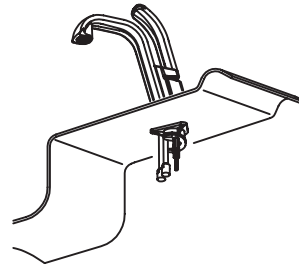
03



04



05



06



07

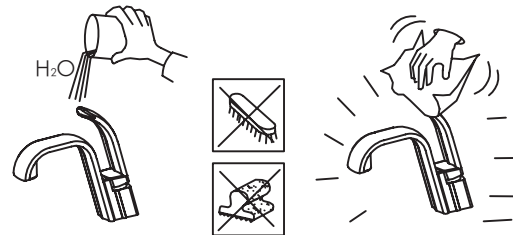
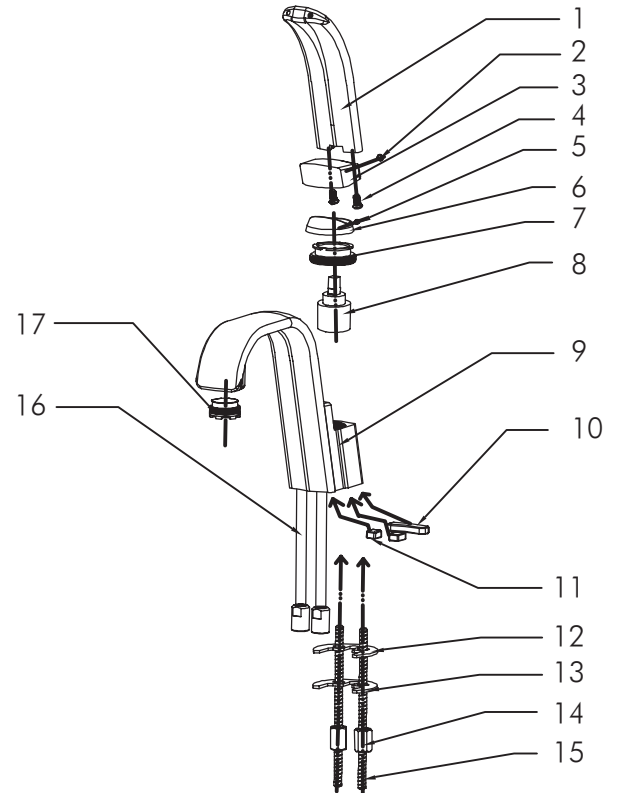






DIAGRAM NUMBER	DAX SKU	TITLE DESCRIPTION
1		Middle part of faucet handle
2		M5x4 grub screw
3		Faucet handle
4		Machine screw M5*10
5		M3*5 grub screw
6		Faucet cover
7		Faucet bottom base
8		Kerox brand cartridge
9		Faucet body
10		Basin faucet rubber base A
11		Basin faucet rubber base B
12		Rubber inner plate
13		Stainless steel inner plate
14		M6 fixing screw nut
15		Screw bag M6, lenght 5-1/8"
16		Water inlet pipe lenght 3-15/16"
17		Neoperl brand aerator



For parts or sale requirements please contact our customer service department:

 [CS@daxib.com](mailto:CS@daxib.com)

 1 888 685 8236

