

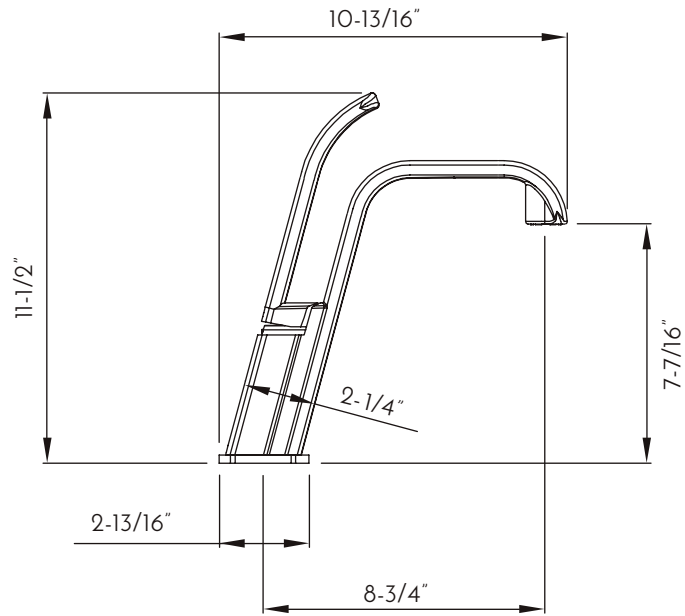


DAX-CO11-01



BATHROOM FAUCETS SERIES





FEATURES

- Single Lever
- Vessel installation
- Ceramic cartridge
- Stainless steel body
- Flow rate 1.5 GPM
- Installation hole 1-3/8"
- Brushed Stainless Steel finish
- Hoses and mounting parts included
- Pop up drain not included (available)





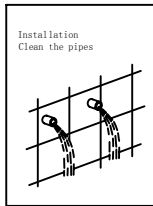
BATHROOM FAUCET **DAX-CO11-01**

MODEL	DAX-CO11-01
ADA	No
UPC APPROVED	No
ANSI APPROVED	No
ASME APPROVED	No
WATERSENSE CERTIFIED	No
NSF APPROVED	Yes
CONNECTION SIZE	M34
FAUCET HOLE SIZE	1-3/8"
FAUCETS HOLE	1 Hole
FAUCET TYPE	Contemporary bathroom faucet
FLOW RATE (GPM)	2.2
HANDLE STYLE	Lever handle
NUMBER OF HANDLES	1
HOSE LENGTH	American 3/8 inlet hose 19-11/16"
INSTALLATION TYPE	Deck mounted
MATERIAL	Stainless steel
FINISH	Brushed stainless steel
SIDESPRAY	Side
SPOUT REACH	8-3/4"
SPOUT SWIVEL	360° swivel
SPOUT TYPE	Standard spout
CARTRIDGE TYPE	Ceramic
POP-IP INCLUDED	No
MAX DECK THICKNESS	0 - 1-3/8"

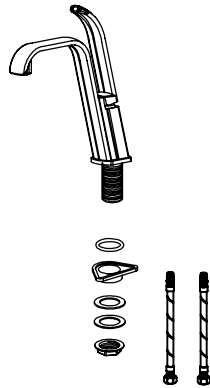




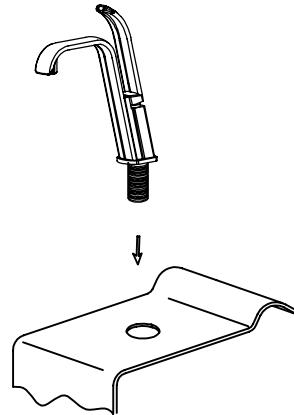
01



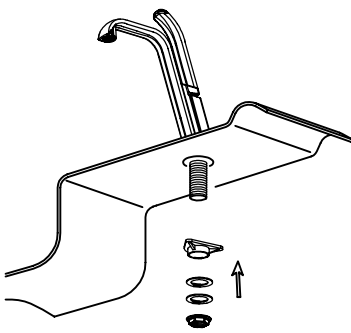
02



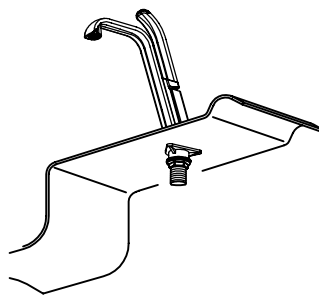
03



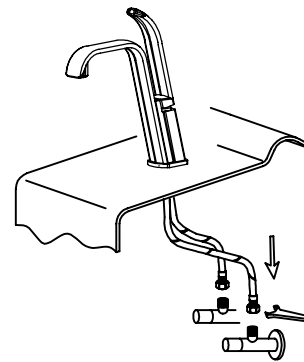
04



05



06



07

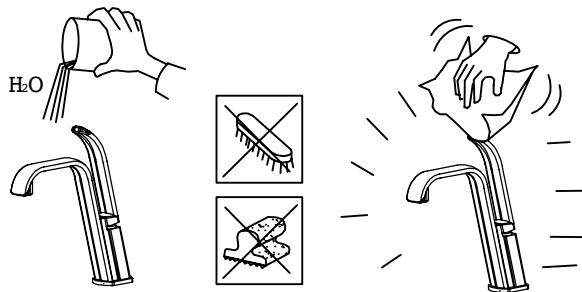
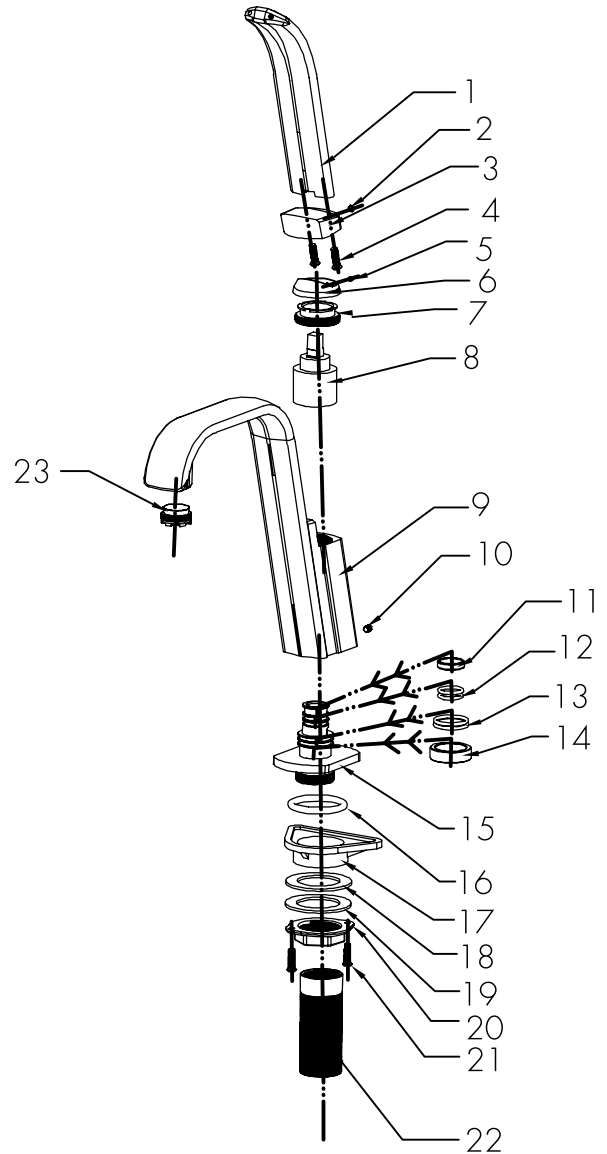




DIAGRAM NUMBER	DAX SKU	TITLE DESCRIPTION
1		Middle part faucet handle
2		M5x4 grub screw
3		Faucet handle
4		Stainless steel machine screw M5*16
5		M3*5 grub screw
6		Faucet cover
7		Faucet bottom base
8		Kerox brand cartridge
9		Faucet body
10		M5*8 grub screw
11		Plastic ring
12		Nylon washer 21.3*16*2.65
13		Nylon washer 28.9*23-6*2.65
14		Plastic ring
15		Faucet bottom base
16		Nylon washer 48*37.5*5.25
17		Bottom plastic fixing base
18		Bottom washer
19		Stainless steel washer
20		M34 screw nut
21		Stainless steel machine screw
22		Faucet pipe
23		Neoperl brand aerator



For parts or sale requirements please contact our customer service department:

 CS@daxib.com

 1 888 685 8236

