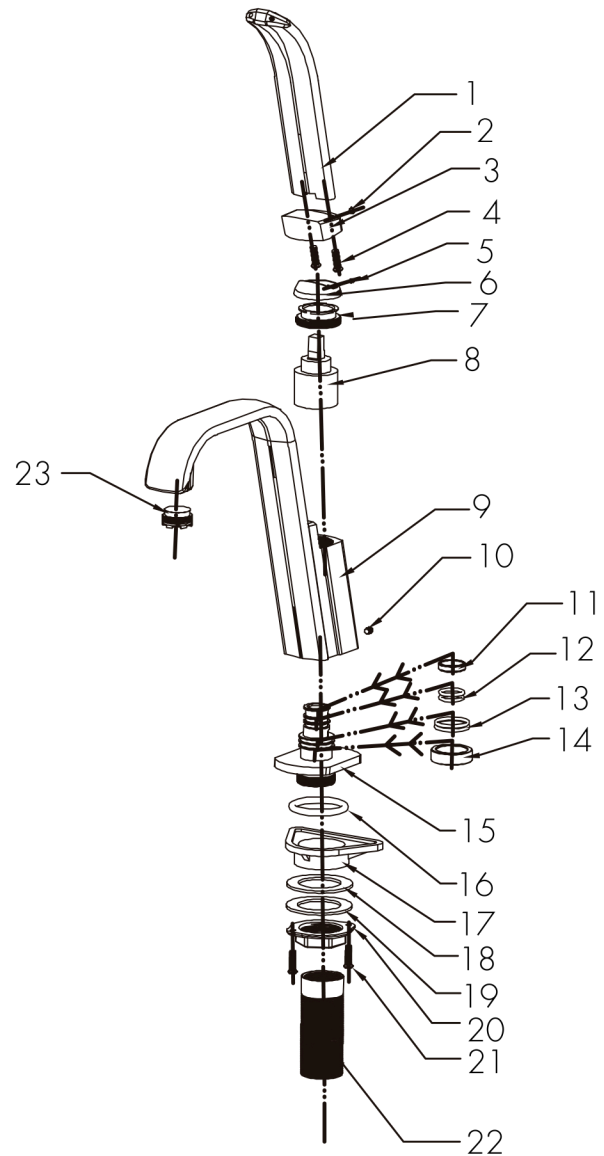




DIAGRAM NUMBER	DAX SKU	TITLE DESCRIPTION
1	50201	Middle part faucet handle
2	50202	M5x4 grub screw
3	50203	Faucet handle
4	50204	Stainless steel machine screw M5*16
5	50205	M3*5 grub screw
6	50206	Faucet cover
7	50207	Faucet bottom base
8	50208	Kerox brand cartridge
9	50209	Faucet body
10	50210	M5*8 grub screw
11	50211	Plastic ring
12	50212	Nylon washer 21.3*16*2.65
13	50213	Nylon washer 28.9*23-6*2.65
14	50214	Plastic ring
15	50215	Faucet bottom base
16	50216	Nylon washer 48*37.5*5.25
17	50217	Bottom plastic fixing base
18	50218	Bottom washer
19	50219	Stainless steel washer
20	50220	M34 screw nut
21	50221	Stainless steel machine screw
22	50222	Faucet pipe
23	50223	Neoperl brand aerator



For parts or sale requirements please contact our customer service department:

 [CS@daxib.com](mailto:CS@daxib.com)

 1 888 685 8236

