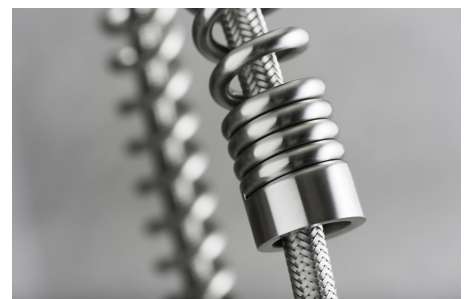




DAX-C001-05



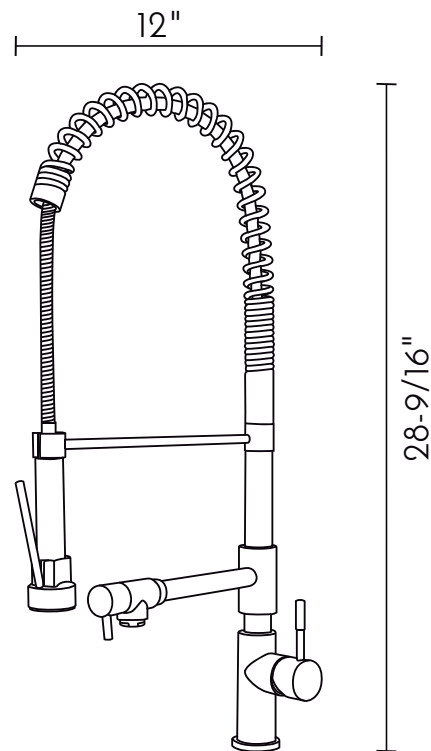
KITCHEN FAUCETS SERIES



www.daxib.com



DAX-CO01-05



FEATURES

- Pull down shower head
- Brushed stainless steel finish
- 304 stainless steel body casting
- Dual sprayer
- Stainless steel shower head
- Ceramic cartridge
- Flow rate 2.2 GPM
- Height 28-9/16"
- Installation hole 1-3/8"
- Water lines and mounting parts included





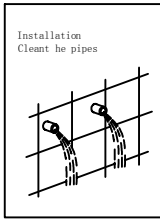
KITCHEN FAUCET DAX-C001-05

MODEL	DAX-C001-05
ANSI APPROVED	NO
ASME APPROVED	NO
WATERSENSE CERTIFIED	NO
NSF APPROVED	Passed
CONNECTION SIZE	M34
FAUCET HOLE SIZE	1-3/8"
FAUCETS HOLE	1 hole
FAUCET TYPE	Contemporary kitchen faucet
FLOW RATE (GPM)	2.2 gpm
HANDLE STYLE	Lever handle
NUMBER OF HANDLES	2
HEIGHT	28-9/16"
HOSE LENGTH	American 3/8 inlet hose 19-11/16"
INSTALLATION TYPE	Deck mounted
MATERIAL	304 stainless steel
FINISH	Brushed stainless steel
PULL OUT SPRAY	Stainless steel
PRE-RINSE	NO
SIDESPRAY	Side
SPOUT REACH	12"
SPOUT HEIGHT	6-1/4" - 6-3/4"
SPOUT SWIVEL	360°
SPOUT TYPE	Gooseneck spout
CARTRIDGE TYPE	Ceramic
MAX DECK THICKNESS	0 - 1-3/8"
INCLUDED COMPONENTS	Water lines and mounting parts

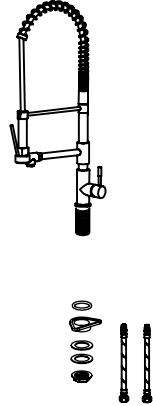




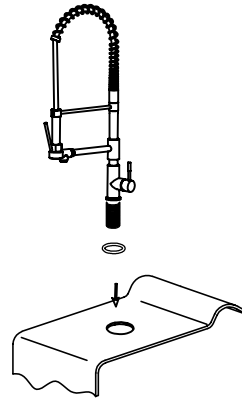
01



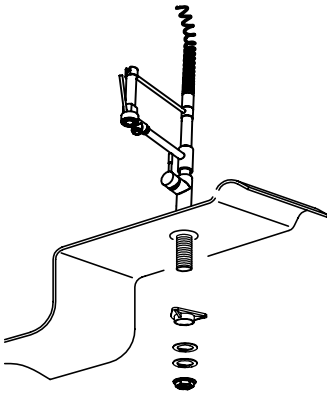
02



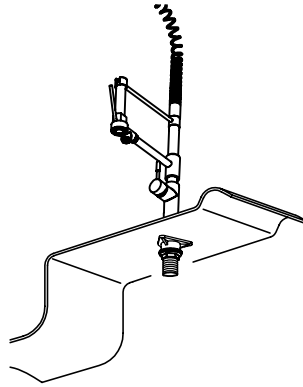
03



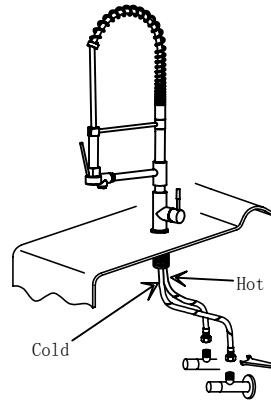
04



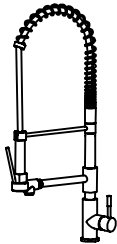
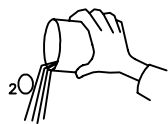
05



06



07



08

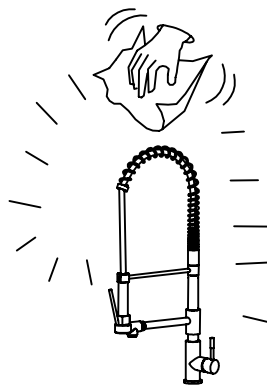




DIAGRAM NUMBER	DAX SKU	TITLE DESCRIPTION
1	1120	0170B Spring
2		M5 * 5 Hexagon set screws
3		Flat rubber 14 * 8.5 * 2
4	1192	Pipe fittings
5		O plastic 21.3 * 16 * 2.65
6		M5 * 5 Hexagon set screws
7		M5 * 5 Hexagon set screws
8	075	Plastic ring
9		O plastic 32.1 * 25 * 3.55
10	0635	Spring faucet positioning ring
11	0635B	Spring faucet positioning ring
12		O plastic 32.1 * 25 * 3.55
13	0172	Positioning plastic ring
14	1088	Positioning plastic ring
15		O plastic 32.1 * 25 * 3.55
16		O plastic 32.1 * 25 * 3.55
17	1089	Plastic ring
18	1087	Kitchen spring faucet body
19	0169	Base
20		Gum * 37.5 * 48 O 5.25
21	0545	Bottom fixed plastic seat
22	0017	Kitchen flat plastic base
23	0013	Stainless steel punch flat pad
24	0018	Large nuts M34
25		Round round stainless steel wire
26	0170B	M34 tube
27		Spool K35-A
28	0165	Gland
29	0173	Handle
30		M5 * 5 Hexagon set screws

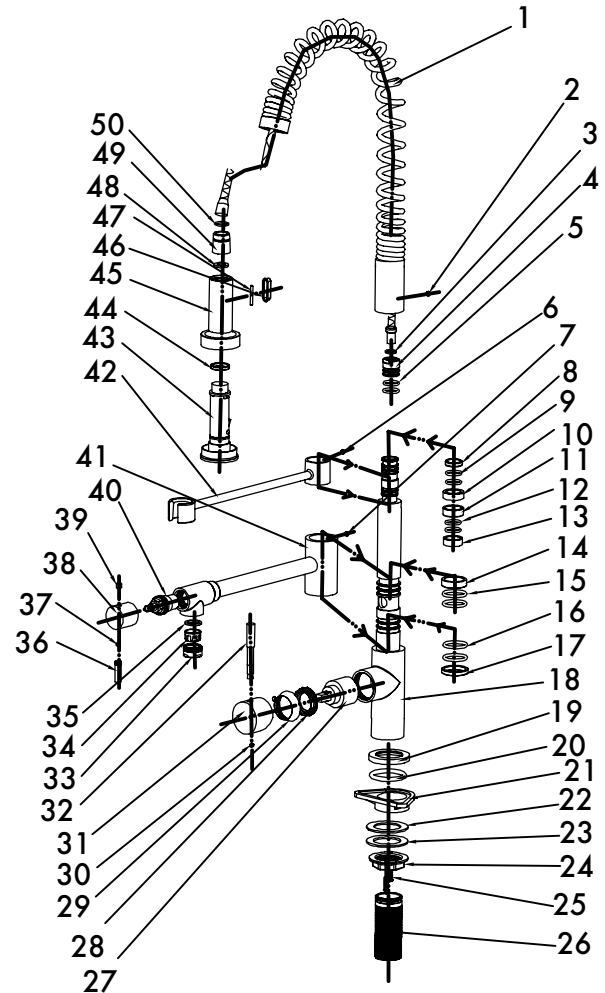
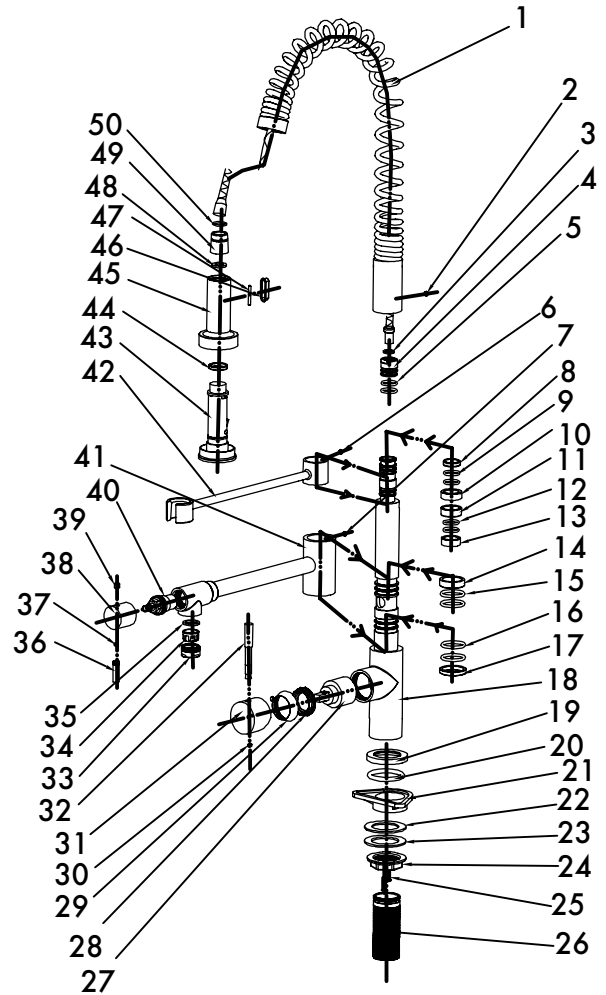




DIAGRAM NUMBER	DAX SKU	TITLE DESCRIPTION
31	0173	Handle
32	0174C	Handle bar
33	0024B	24 Tsui
34		Newpa 24 mesh mouth
35		Flat rubber * 2 21 * 15
36	1106	Handle bar
37	0175	M5 * 5 Hexagon set screws
38	1091	Handle
39	1107	Plug handle grain
40		Quick release spool SL15TA270 (red)
41	1082	Turn sets of seamless pipe
42	0291	Conical spring faucet
43	1090	Pull the flower spikes
44	1131	Plastic ring
45	1080	Torch shower shell
46	0693	Do not stretch the cover
47	1105	Stainless steel stretch cap
48		Flat rubber * 2 19 * 11
49	1174C	Handle bar
50	1024B	25 Tsui



For parts or sale requirements please contact our customer service department:

 CS@daxib.com

 1 888 685 8236

