

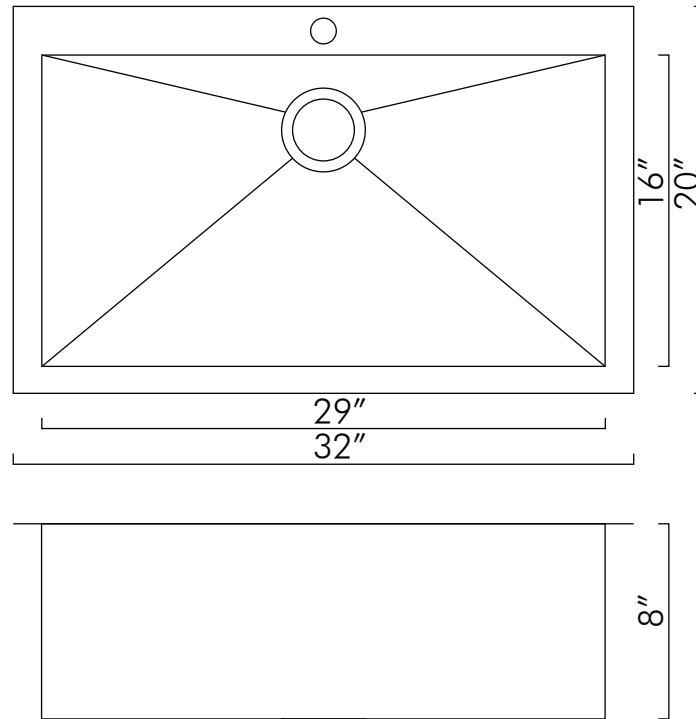


DAX-AT82S



TOP MOUNT KITCHEN SINKS SERIES



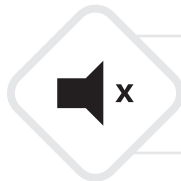


FEATURES

- Handmade sink
- 0mm radius corner
- Overmount
- 304 Stainless Steel
- 18 gauge
- Brushed Stainless Steel
- Size W 32" x H 20" x D 8"
- Standard 3-1/2" drain opening
- Undercoated and sound pads
- Mounting clips and cutting template

ACCESSORIES

- Bottom grid included
- Stainless steel standard strainer included
- Overflow drain (parts included)



**TOP QUALITY
SOUNDPROOFING**

Thick rubber dampening pads absorb vibration and noise, ensuring quieter use.



**PROTECTIVE
UNDERCOATING**

Commercial-grade non-toxic undercoating provides extra soundproofing and prevents condensation buildup in the base cabinet

HANDMADE
BY ARTISANS

UNIQUELY
HAND CRAFTED
BY **ARTISANS**

x SOUND
DAMPENING

EXTRA-THICK
3 mm
RUBBER PADS

18G
THICK STEEL

DURABLE
1.2 mm STEEL
CONSTRUCTION

PREMIUM GRADE
304

18% CHROMIUM
10% NICKEL
COMPOSITION

HIGH QUALITY
DAX
WARRANTY
PRODUCTS

CONSULTING
AT **DAXIB.COM**



KITCHEN SINK **DAX-AT82S**

| MODEL | DAX-AT82S |
|----------------------------|-------------------------|
| INNER BASIN WIDTH (in) | 29" |
| INNER BASIN HEIGHT (in) | 16" |
| HEIGHT | 20" |
| DEPTH | 8" |
| WIDTH | 32" |
| BASIN RACK INCLUDED | No |
| BASIN SPLIT | No |
| BASKET STRAINER INCLUDED | Yes |
| COLANDER INCLUDED | No |
| DRAIN CONNECTION | Yes |
| DRAIN PLACEMENT | Yes |
| FARMHOUSE | No |
| FAUCET HOLES | One |
| GAUGE | 18 |
| INSTALLATION TYPE | Overmount |
| MATERIAL | SUS304 |
| MOUNTING HARDWARE INCLUDED | Yes |
| NUMBER OF BASINS | One |
| PRODUCT WEIGHT | 31.0279 lb |
| SINK SHAPE | Rectangle |
| SOUND DAMPENING | Yes |
| STAINLESS STEEL GRADE | SUS304 |
| UPC APPROVED | No |
| SINK FINISH TYPE | Brushed Stainless Steel |
| OVERFLOW | Yes |

For parts or sale requirements please contact our customer service department:



CS@daxib.com



1 888 685 8236