

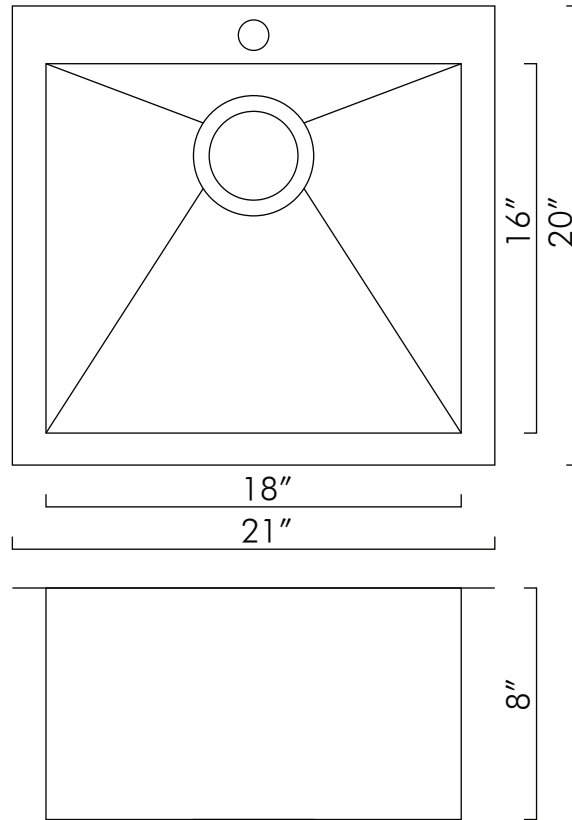


DAX-AT54S



TOP MOUNT KITCHEN SINKS SERIES



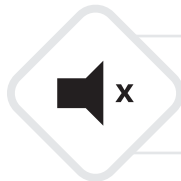


FEATURES

- Handmade sink
- 0mm radius corner
- Overmount
- 304 Stainless Steel
- 18 gauge
- Brushed Stainless Steel
- Size W 21" x H 20" x D 8"
- Standard 3-1/2" drain opening
- Undercoated and sound pads
- Mounting clips and cutting template

ACCESSORIES

- Bottom grid included
- Stainless steel standard strainer included
- Overflow drain (parts included)



**TOP QUALITY
SOUNDPROOFING**

Thick rubber dampening pads absorb vibration and noise, ensuring quieter use.



**PROTECTIVE
UNDERCOATING**

Commercial-grade non-toxic undercoating provides extra soundproofing and prevents condensation buildup in the base cabinet

HANDMADE
BY ARTISANS

UNIQUELY
HAND CRAFTED
BY **ARTISANS**

x SOUND
DAMPENING

EXTRA-THICK
3 mm
RUBBER PADS

18G
THICK STEEL

DURABLE
1.2 mm STEEL
CONSTRUCTION

PREMIUM GRADE
304

18% CHROMIUM
10% NICKEL
COMPOSITION

HIGH QUALITY
DAX
WARRANTY
PRODUCTS

CONSULTING
AT **DAXIB.COM**



KITCHEN SINK DAX-AT54S

MODEL	DAX-AT54S
INNER BASIN WIDTH (in)	18"
INNER BASIN HEIGHT (in)	16"
HEIGHT	20"
DEPTH	8"
WIDTH	21"
BASIN RACK INCLUDED	No
BASIN SPLIT	No
BASKET STRAINER INCLUDED	Yes
COLANDER INCLUDED	No
DRAIN CONNECTION	Yes
DRAIN PLACEMENT	Yes
FARMHOUSE	no
FAUCET HOLES	One
GAUGE	18
INSTALLATION TYPE	Overmount
MATERIAL	SUS304
MOUNTING HARDWARE INCLUDED	Yes
NUMBER OF BASINS	One
PRODUCT WEIGHT	23.0207 lb
SINK SHAPE	Rectangle
SOUND DAMPENING	Yes
STAINLESS STEEL GRADE	SUS304
UPC APPROVED	No
SINK FINISH TYPE	Brushed Stainless Steel
OVERFLOW	YES

For parts or sale requirements please contact our customer service department:



CS@daxib.com



1 888 685 8236