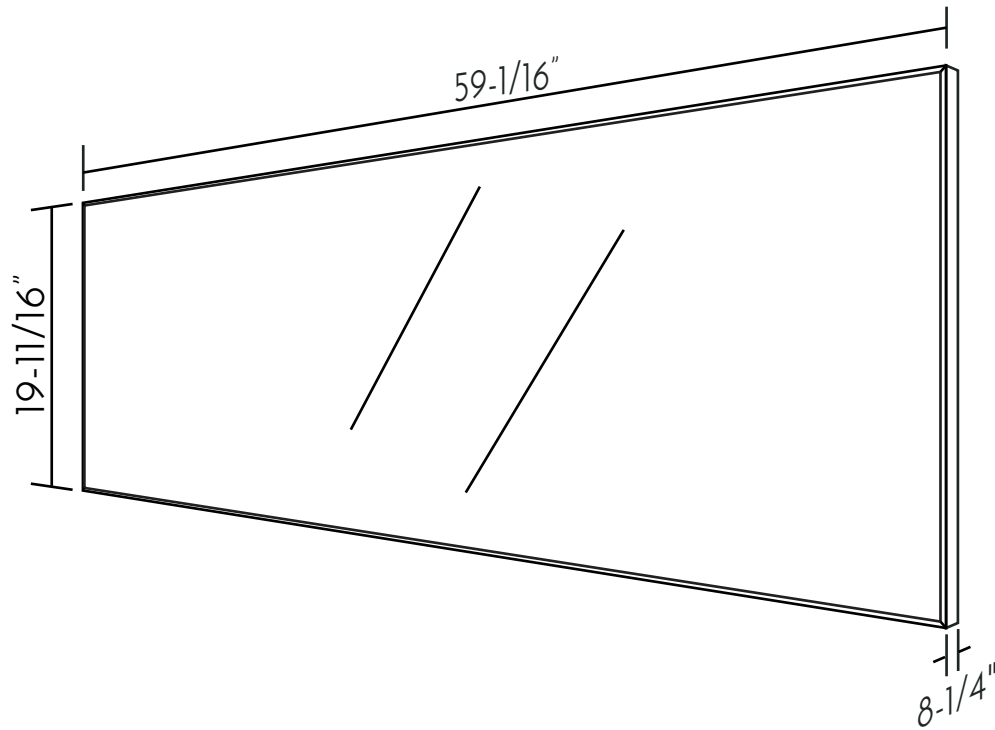




DAX-AF15050



BATHROOM MIRRORS **SERIES**



FEATURES

- Aluminum frame
- Hanging hardware included



BATHROOM MIRROR DAX-AF15050

MODEL	DAX-AF15050
HEIGHT	19-11/16"
WIDTH	59-1/16"
INSTALLATION TYPE	wall-mounted
LIGHTED	no
MATERIAL	aluminum + 5mm cooper free mirror
MIRROR FRAME	aluminum frame
MIRROR SHAPE	Rectangular
UL APPROVED	no
BACK-LIT MIRROR	no
AC	no
MAX.	no
SWITCH	no

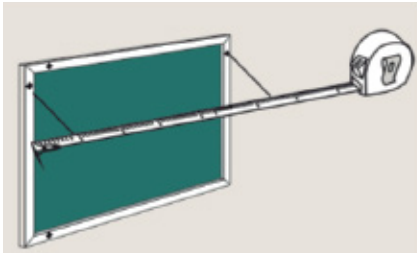
For parts or sale requirements please contact our customer service department:

 CS@daxib.com

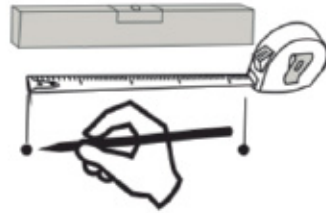
 1 888 685 8236



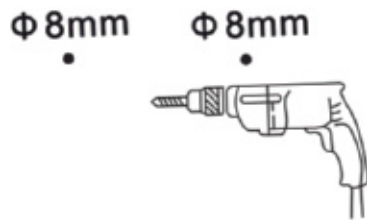
01



02



03



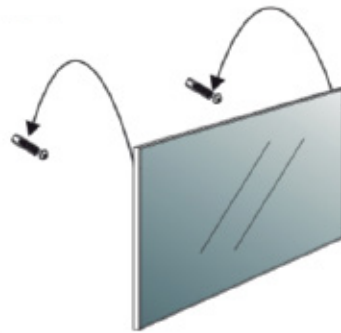
04



05



06



For parts or sale requirements
please contact our customer service department:

 CS@daxib.com

 1 888 685 8236