

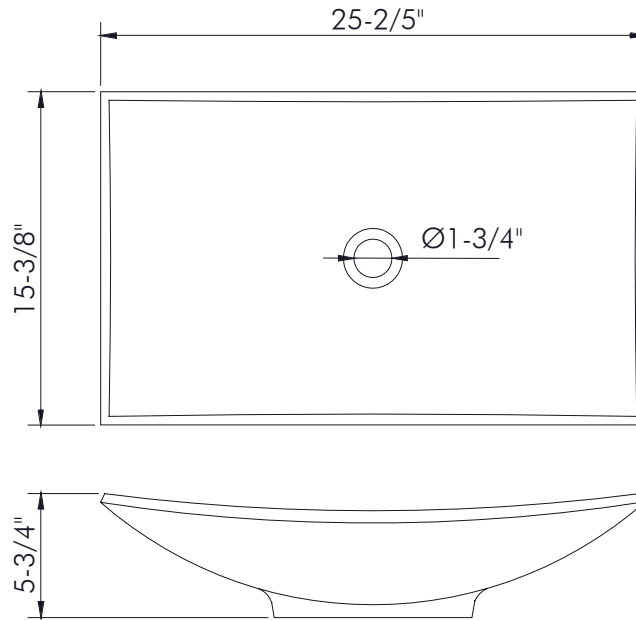


DAX-AB-1325



SOLID SURFACE SINKS SERIES





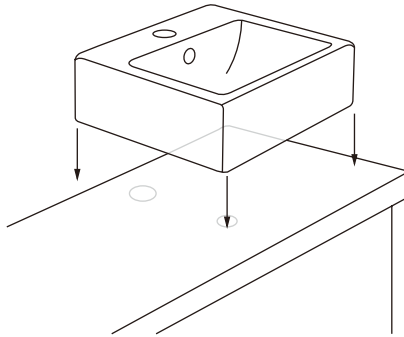
FEATURES

- Solid surface material
- White matte finish
- Pop up drain not included (available)
- Vessel installation
- Size W 25-2/5" x H 15-3/8" x D 5-3/4"



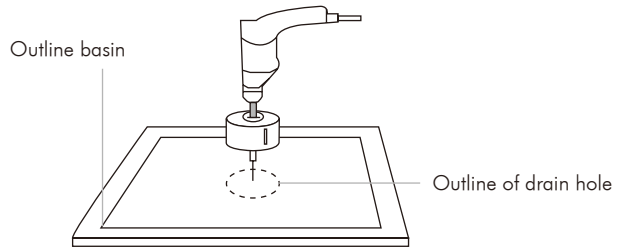


01



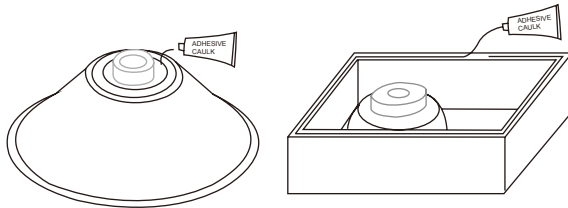
Measure outside perimeter of drain opening and mark countertop. Temporarily place the basin on the counter top to check for fit.

02



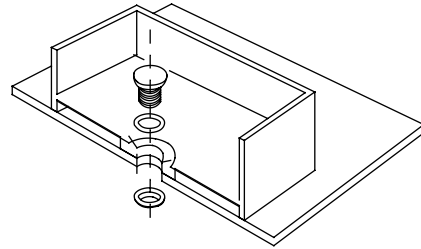
Cut or drill out the drain opening on the countertop using the appropriate drill by following the drain opening cut line as illustrated.

03



Apply silicone sealant around the basin's bottom edge and outlet, clean away excess silicone from around the basin.

04



Install the faucet and drain fittings and faucet (not included) per the manufacturer's instructions.

05

Finish up the faucet and drain connections and run water into the basin and check for leaks.

For parts or sale requirements please contact our customer service department:

 CS@daxib.com

 1 888 685 8236