

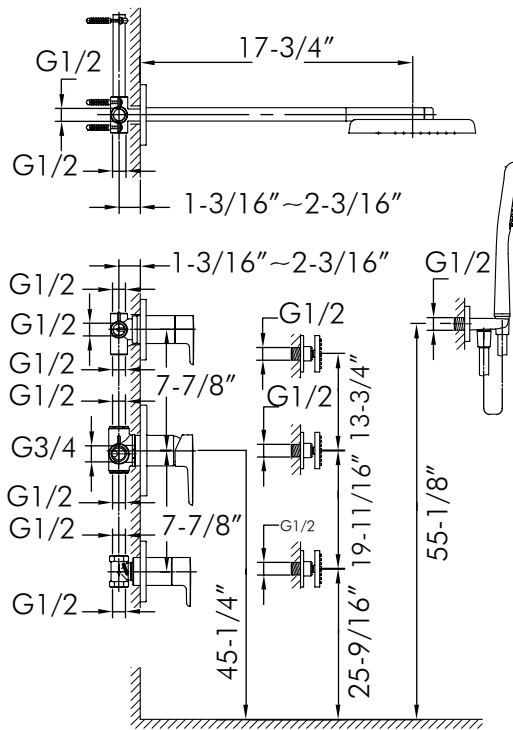


DAX-9910A



SHOWER SYSTEMS **SERIES**





FEATURES

- Multi-function valve
- Wall mount shower head
- Rainshower
- Waterfall
- Body jets with independent control
- Handshower included
- Silicone water nozzles
- Ceramic cartridge
- Flow rate 2.0 GPM
- Pressure balance valve
- Brass body
- Chrome finish





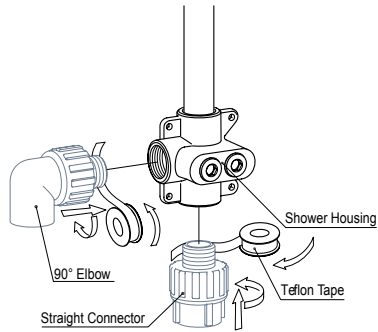
SHOWER SYSTEM DAX-9910A

MODEL	DAX-9910A
ADA	N/A
UPC APPROVED	NO
ANSI APPROVED	NO
ASME APPROVED	NO
BODYSPRAYS INCLUDED	YES
NUMBER OF BODYSPRAYS	6
BODYSPRAYS CONNECTION SIZE	G1/2
BODYSPRAYS SIZE	1/4"
HAND SHOWER FLOW RATE (GPM)	2.0 GPM at 80 PSI
SHOWER HEAD FLOW RATE (GPM)	2.0 GPM at 80 PSI
ROUGH-IN VALVE FLOW RATE (GPM)	2.0 GPM at 80 PSI
HANDLE MATERIAL	Brass
HANDLE STYLE	3
HAND SHOWER INCLUDED	YES
HAND SHOWER HOSE INCLUDED	YES
HAND SHOWER HOSE LENGTH	59-1/16"
INSTALLATION TYPE	Wall mounted
MATERIAL	Brass
PRESSURE BALANCE	YES
SCALD GUARD	NO
SHOWER ARM REACH	17-3/4"
SHOWER ARM CONNECTION SIZE	G1/2
SHOWER HEAD	YES
SHOWER HEAD SHAPE	Rectangle
SHOWER HEAD WIDTH	10-1/16"
SHOWER HEAD FUNCTION	Dual function - rain and waterfall
SLIDE BAR INCLUDED	NO
SLIDE BAR DIMENSION	N/A
THERMOSTATIC	NO
VALVE INCLUDED	YES
VALVE TYPE	CARTRIDGE
WATER EFFICIENT	YES
WATERSENSE CERTIFIED	NO
FINISH	Chrome

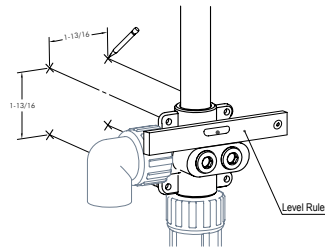




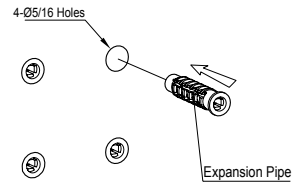
01



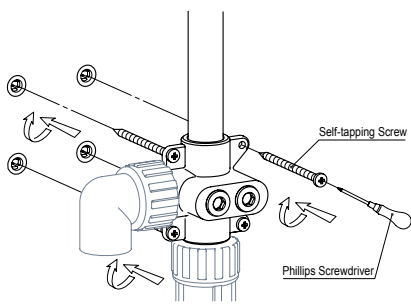
02



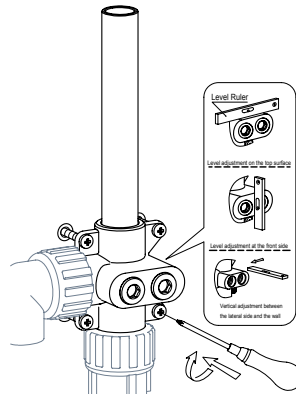
03



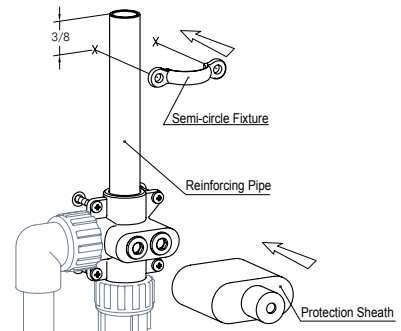
04



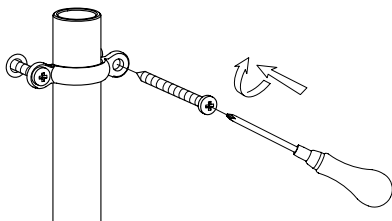
05



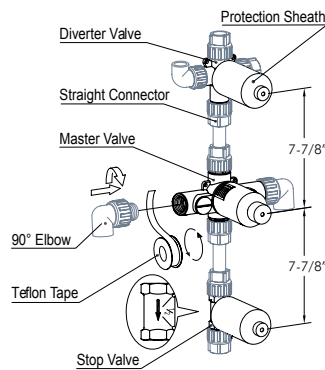
06



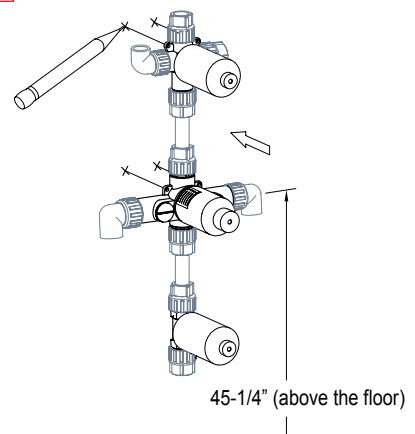
07



08

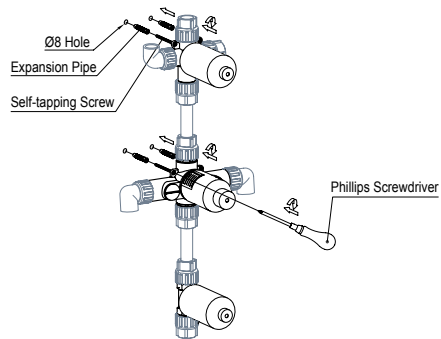


09

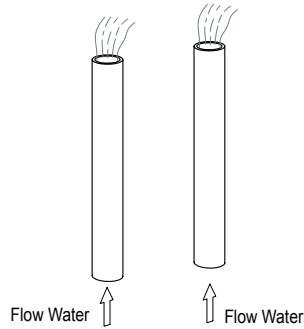




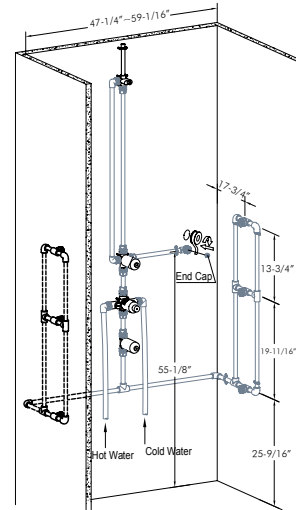
10



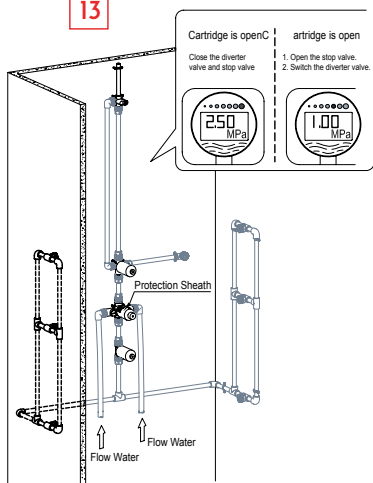
11



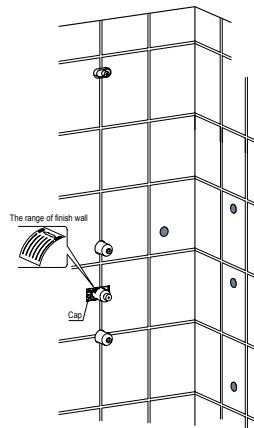
12



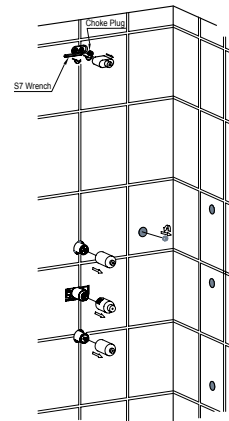
13



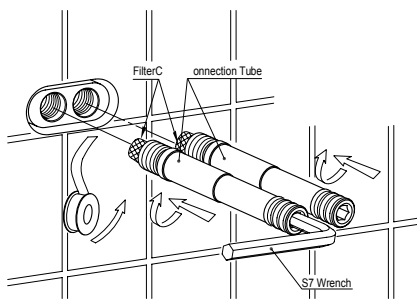
14



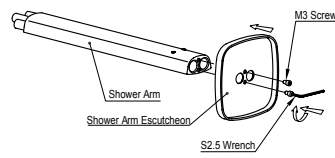
15



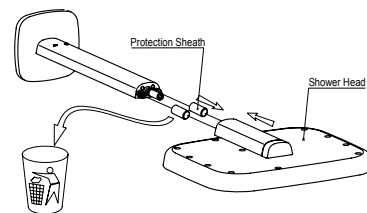
16



17

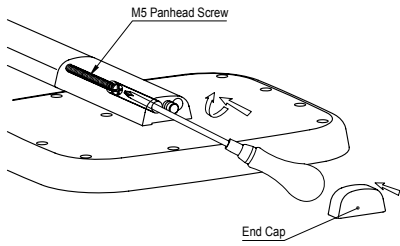


18

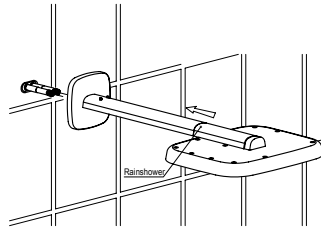




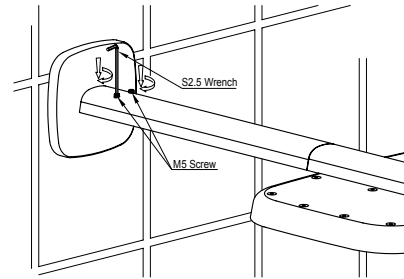
19



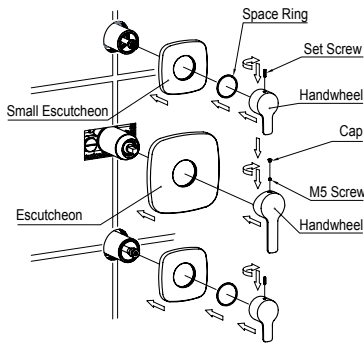
20



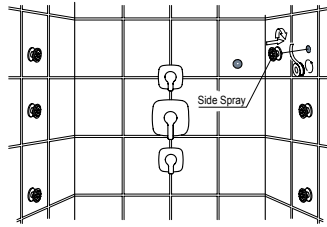
21



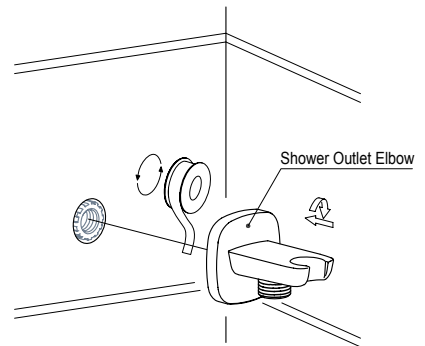
22



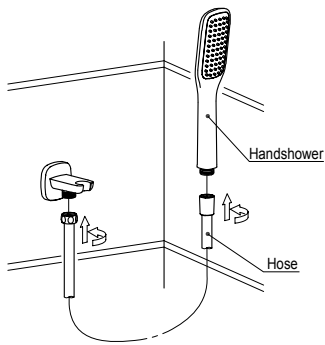
23



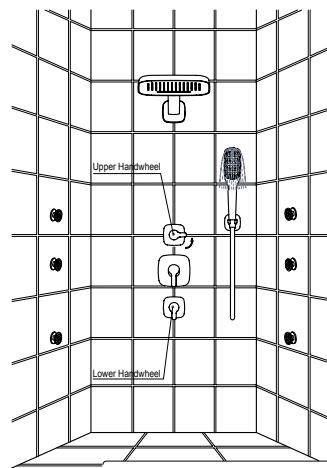
24



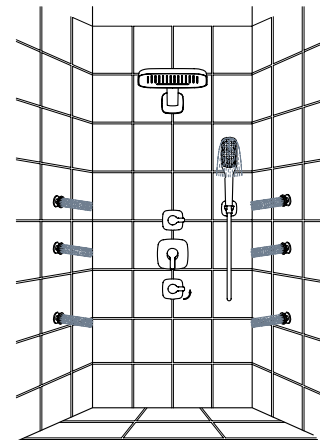
25



26

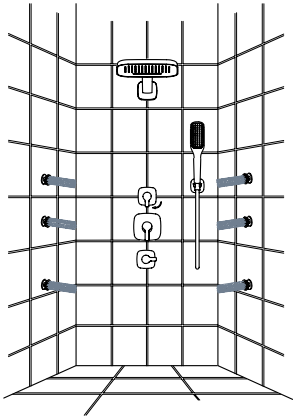


27

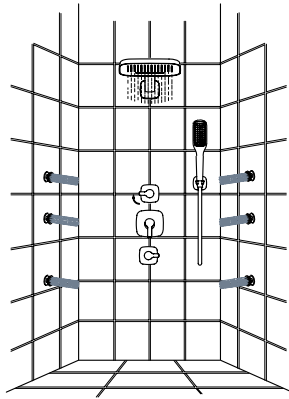




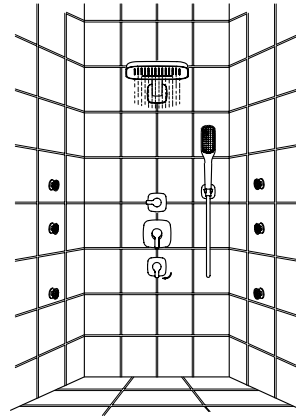
28



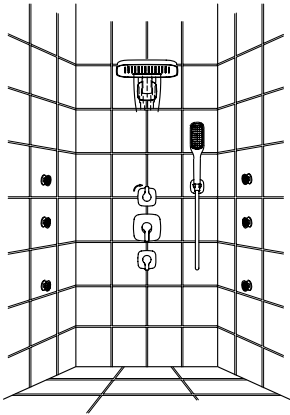
29



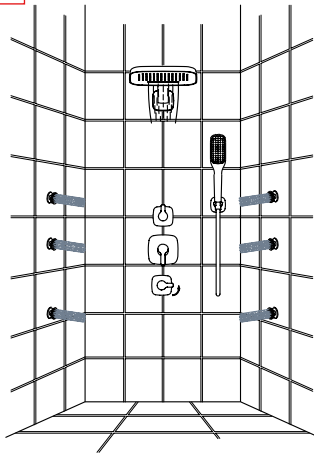
30



31



32



For parts or sale requirements
please contact our customer service department:



CS@daxib.com



1 888 685 8236