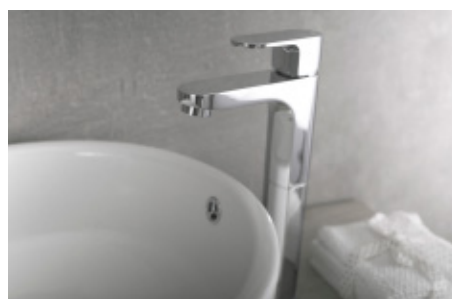


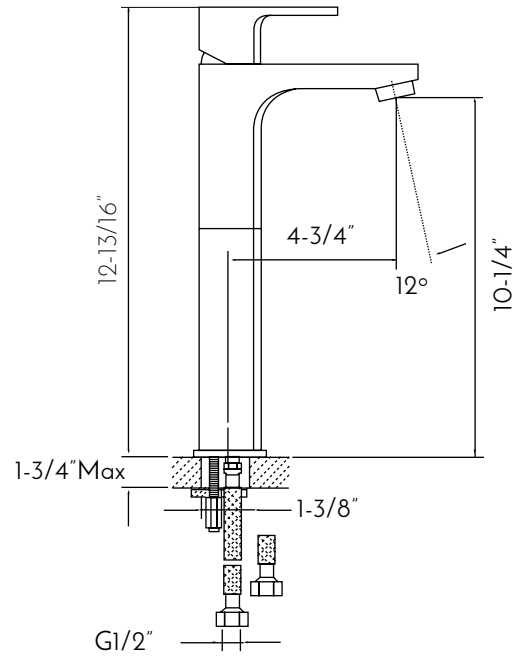


DAX-9889B



BATHROOM FAUCETS SERIES





FEATURES

- Single Lever
- Vessel installation
- Ceramic cartridge
- Brass body
- Flow rate 1.2 GPM
- Installation hole 1-3/8"
- Chrome finish
- Hoses and mounting parts included
- Pop up drain not included (available)





BATHROOM FAUCET **DAX-9889B**

MODEL	DAX-9889B
ADA	No
UPC APPROVED	No
ANSI APPROVED	No
ASME APPROVED	No
WATERSENSE CERTIFIED	No
NSF APPROVED	No
CONNECTION SIZE	G3/8
FAUCET HOLE SIZE	1-5/16"
FAUCETS HOLE	Single hole
FAUCET TYPE	Basin mixer
HANDLE STYLE	Single lever
NUMBER OF HANDLES	1
HEIGHT	12-13/16"
INSTALLATION TYPE	Deck mounted
MATERIAL	Brass body + zinc handle
FINISH	Chrome
SPOUT HEIGHT	10-1/4"
SPOUT REACH	4-3/4"
SPOUT SWIVEL	No
SPOUT TYPE	Casting spout
CARTRIDGE TYPE	Ceramic mixer
POP-IP INCLUDED	No
MAX DECK THICKNESS	1-3/4" max



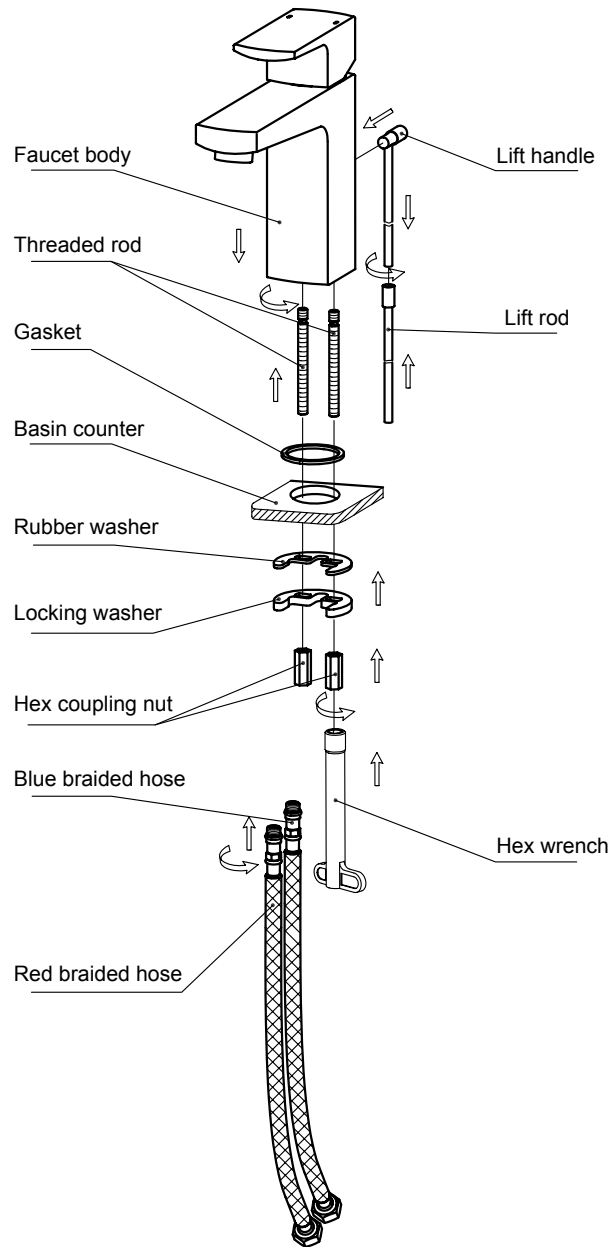
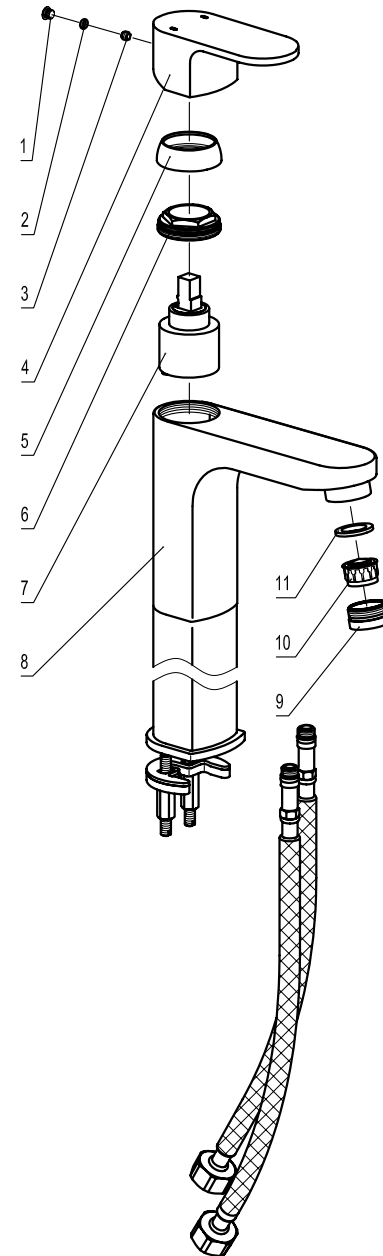




DIAGRAM NUMBER	DAX SKU	TITLE DESCRIPTION
1	FH D38A-02	Decoration cap
2	MF 0615	Ø3x1-1/2" O ring
3	FH TJ-30504	Internal Hex flat end locking screw
4	FH D75-01	Handle
5	FH DB-14	Decorative ring
6	FH DB-13	Locknut
7		Ø35 cartridge
8		Faucets body
9	FH TQ41-02	Spout inner collar
10	FH TQ-07G	M24 aerator
11	FH 2123-28	Spout washer



For parts or sale requirements please contact our customer service department:

 CS@daxib.com

 1 888 685 8236