

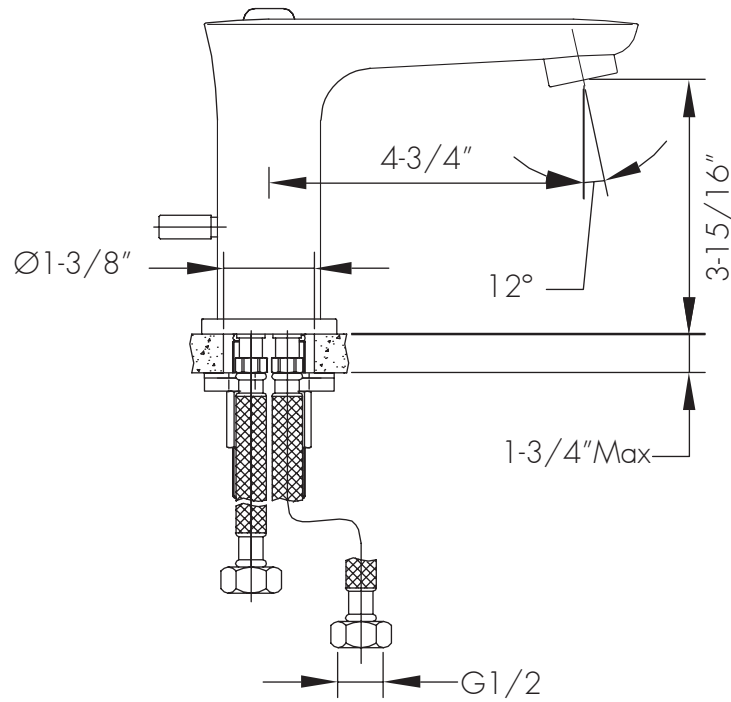


DAX-9883



BATHROOM FAUCETS SERIES





FEATURES

- Single Lever
- Ceramic cartridge
- Brass body
- Flow rate 1.2 GPM
- Installation hole 1-3/8"
- Chrome finish
- Hoses and mounting parts included
- Pop up drain not included (available)

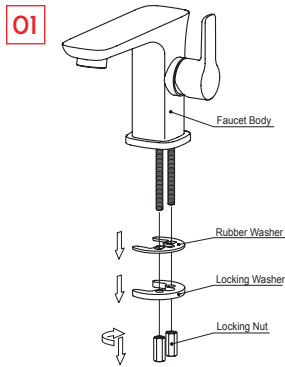




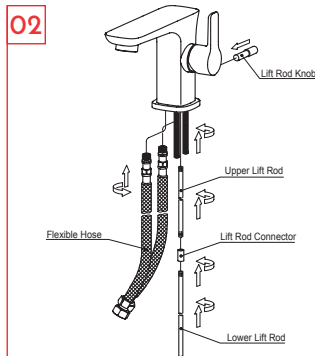
BATHROOM FAUCET **DAX-9883**

MODEL	DAX-9883
ADA	No
UPC APPROVED	No
ANSI APPROVED	No
ASME APPROVED	No
WATERSENSE CERTIFIED	No
NSF APPROVED	No
CONNECTION SIZE	G3/8
FAUCET HOLE SIZE	1-5/16"
FAUCETS HOLE	Single hole
FAUCET TYPE	Basin mixer
FLOW RATE (GPM)	1.2 Gpm at 60 psi
HANDLE STYLE	Single lever
NUMBER OF HANDLES	1
INSTALLATION TYPE	Deck mounted
MATERIAL	Brass body + zinc handle
FINISH	Chrome
SPOUT HEIGHT	3-15/16"
SPOUT REACH	4-3/4"
SPOUT SWIVEL	No
SPOUT TYPE	Casting spout
CARTRIDGE TYPE	Ceramic mixer
POP-IP INCLUDED	No
MAX DECK THICKNESS	1-3/4" Max

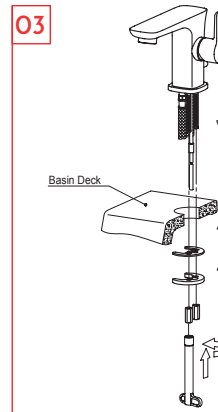




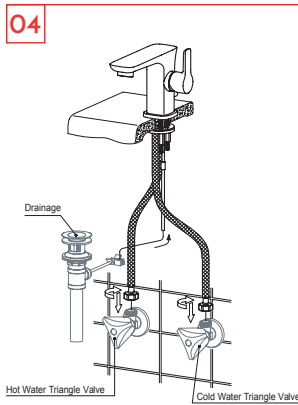
Remove the locking nut, locking washer and rubber washer from the faucet body.



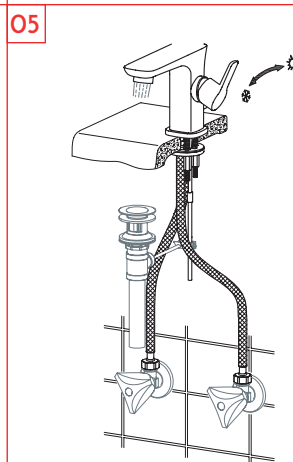
Connect the upper lift rod and lower lift rod. Put the lift rod knob into the slot in the back of faucet body to connect with the upper lift rod. Screw the flexible hoses (attention to the red and blue notes).



Place the faucet body over the basin deck. Put on the rubber washer and locking washer, and fix with locking nuts.



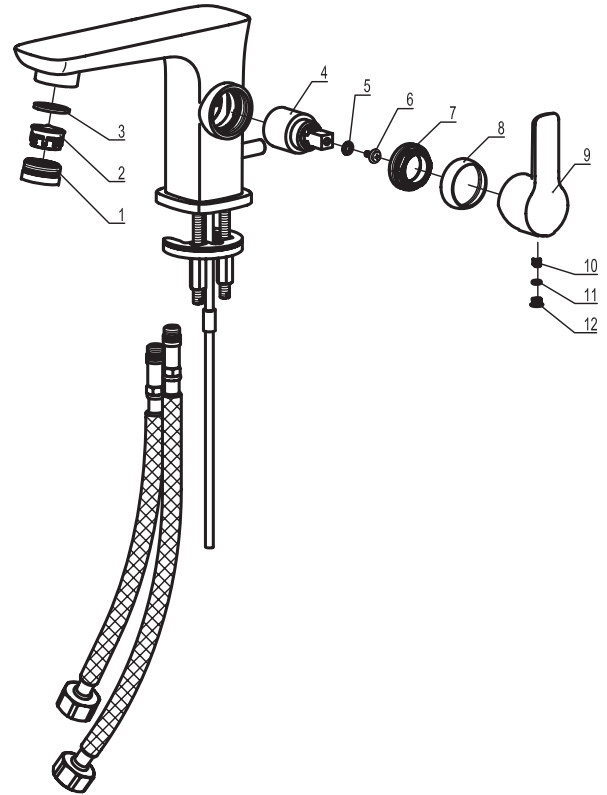
Connect the flexible hoses with triangle valves (red on the left and blue on the right). Connect the lift rod with drainage.



After installation, run water for inspection. The figure is for the case when the handle is turned on.



DIAGRAM NUMBER	DAX SKU	TITLE DESCRIPTION
1	FH TQ41-02	Spout inner collar
2	FH TQ-07G	M24 aerator
3	FH 2123-28	Spout washer
4		Ø1" cartridge
5	FH TW-104	Brass rubber washer
6	FH TL-10406	M4X6 Internal hex socket head cap screw
7	FH DB-17C	Locknut
8	FH DB-18A	Decorative ring
9	FH D79-01	Handle
10	FH TJ-30504	M5x4 Internal Hex flat end locking screw
11	MF 0615	Ø3 x 1-1/2" O-ring
12	FH D38A-02	Decoration cap



For parts or sale requirements please contact our customer service department:

 CS@daxib.com

 1 888 685 8236