

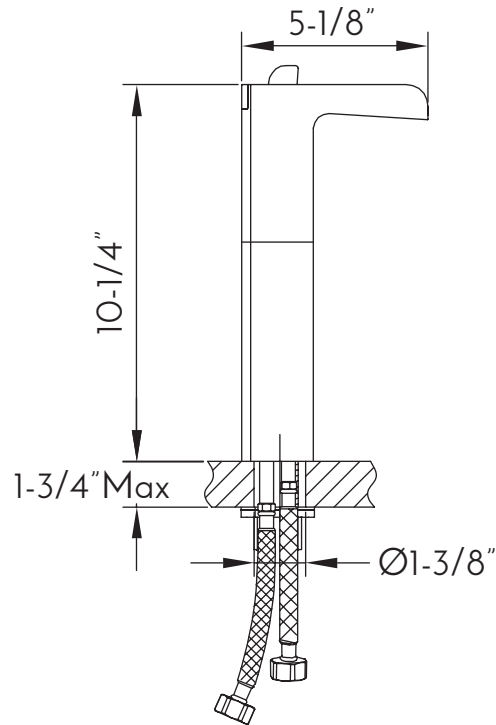


DAX-9825B



BATHROOM FAUCETS SERIES





FEATURES

- Single Lever
- Vessel installation
- Ceramic cartridge
- Brass body
- Flow rate 1.2 GPM
- Installation hole 1-3/8"
- Chrome finish
- Hoses and mounting parts included
- Pop up drain included

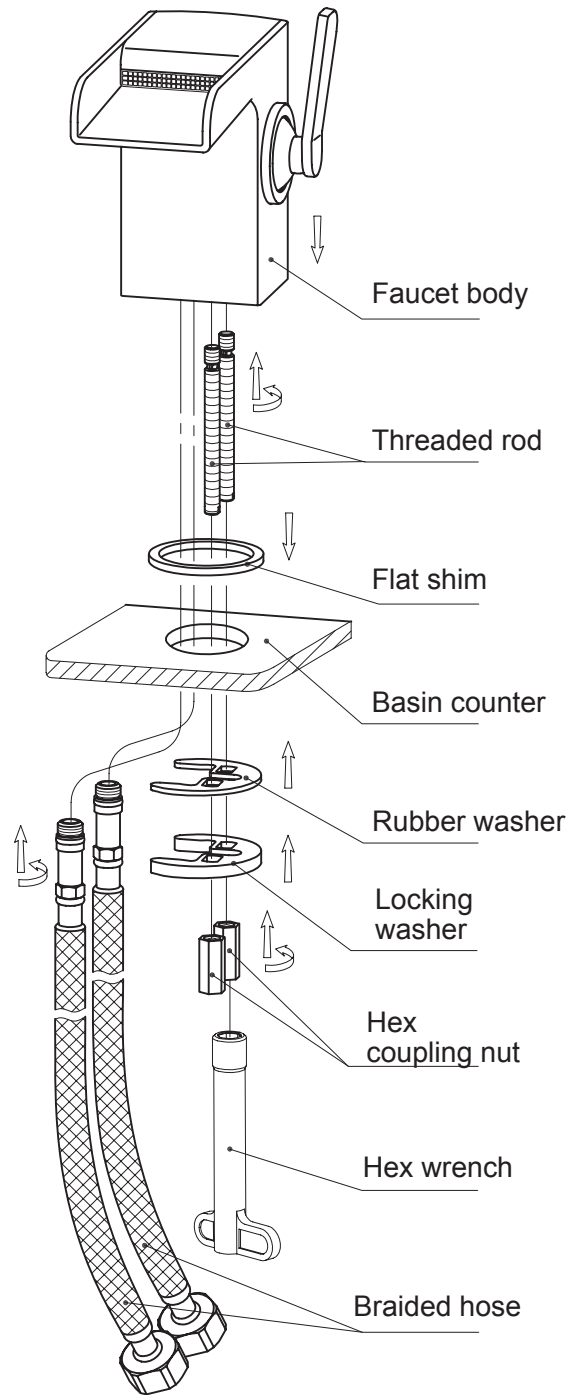




BATHROOM FAUCET **DAX-9825B**

| MODEL | DAX-9825B |
|----------------------|--------------------------|
| ADA | No |
| UPC APPROVED | No |
| ANSI APPROVED | No |
| ASME APPROVED | No |
| WATERSENSE CERTIFIED | No |
| NSF APPROVED | No |
| CONNECTION SIZE | G3/8 |
| FAUCET HOLE SIZE | 1-5/16" |
| FAUCETS HOLE | Single hole |
| FAUCET TYPE | Basin mixer |
| FLOW RATE (GPM) | 1.2 Gpm at 60 psi |
| HANDLE STYLE | Single lever |
| NUMBER OF HANDLES | 1 |
| HEIGHT | 10-1/4" |
| INSTALLATION TYPE | Deck mounted |
| MATERIAL | Brass body + zinc handle |
| FINISH | Chrome |
| SPOUT HEIGHT | 10-1/4" |
| SPOUT REACH | 5-1/8" |
| SPOUT SWIVEL | No |
| SPOUT TYPE | Casting spout |
| CARTRIDGE TYPE | Ceramic |
| POP-IP INCLUDED | No |
| MAX DECK THICKNESS | 1-3/4" Max |



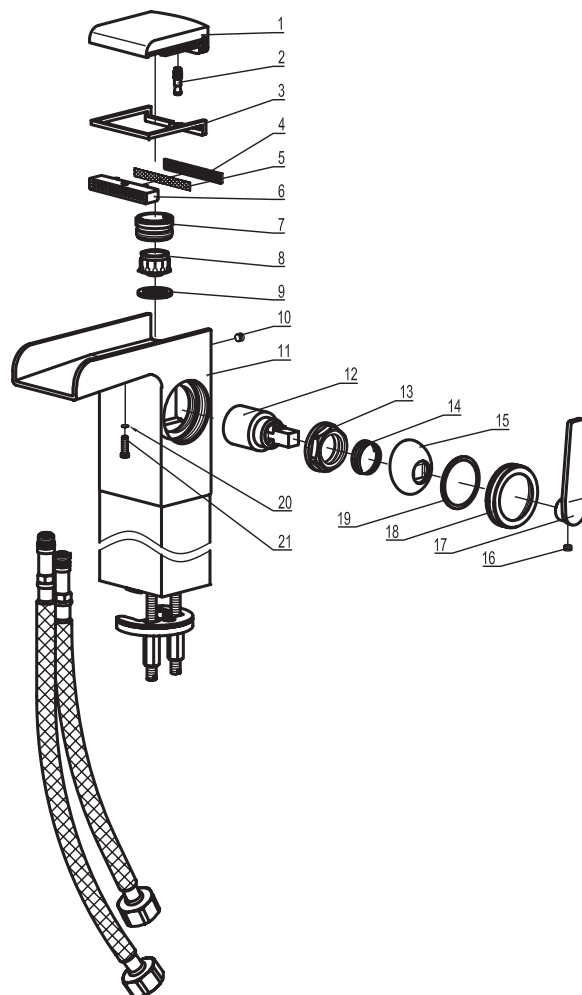


INSTALLATION STEPS

1. Connect braided hoses and threaded rod to faucet body tightly (Note: Front for blue braided hose, back for red braided hose).
2. Pass faucet body with flat shim through hole of basin counter, pad rubber washer and locking washer in turn, tighten with hex coupling nut.
3. Connect braided hoses with triangle valves, position as cold front and hot back.
4. Run water to check the installation.



| DIAGRAM NUMBER | DAX SKU | TITLE DESCRIPTION |
|----------------|-------------|--|
| 1 | FH 9825-02A | Seal cover |
| 2 | FH 9825-08A | M6 screw rod |
| 3 | FH 9825-03A | Rubber seal ring |
| 4 | FH 9825-05 | Filter |
| 5 | FH 9825-07 | Filter |
| 6 | FH 9825-06 | Water segregator |
| 7 | FH TQ41-02 | Spout inner collar |
| 8 | FH TQ-07F | M24 aerator(constant flow control) |
| 9 | FH 2123-28 | Spout washer |
| 10 | FH TJ-30504 | M5 x 4 Internal Hex flat end locking screw |
| 11 | FH 9825-01 | Body |
| 12 | FH SEDAL-25 | Ø1" cartridge |
| 13 | FH DB-15 | Decorative ring |
| 14 | FH D25-05 | Spring |
| 15 | FH D25-04A | Decorative ring |
| 16 | FH TJ-30503 | M5X3 Internal Hex flat end locking screw |
| 17 | FH D66-01 | Handle |
| 18 | FH D66-02 | Locknut |
| 19 | FH D25-03 | Plastic ring |
| 20 | MF 0610 | 4 x 1" O-ring |
| 21 | FH 9825-09 | M4 screw |



For parts or sale requirements please contact our customer service department:

 CS@daxib.com

 1 888 685 8236