



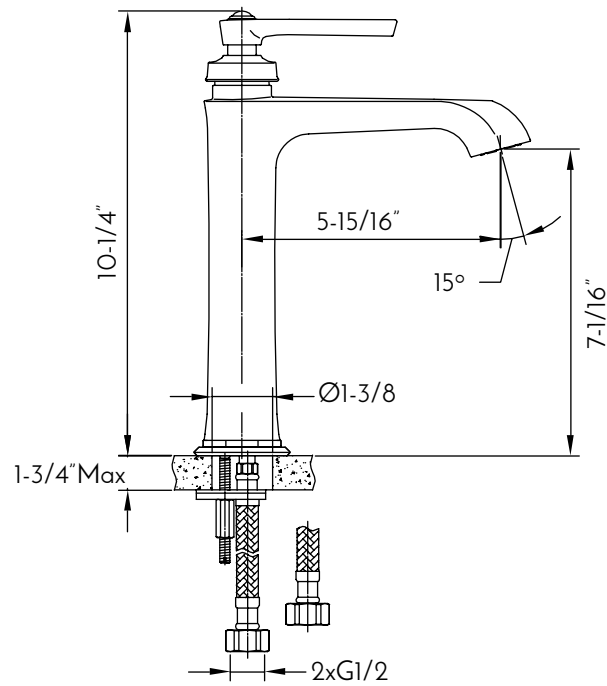
DAX-9809A-ORB



BATHROOM FAUCETS SERIES



www.daxib.com



FEATURES

- Single Lever
- Vessel installation
- Ceramic cartridge
- Brass body
- Installation hole 1-3/8"
- ORB finish
- Hoses and mounting parts included
- Pop up drain not included (available)





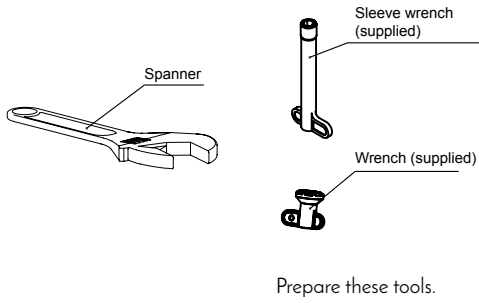
BATHROOM FAUCET DAX-9809A-ORB

MODEL	DAX-9809A-ORB
ADA	No
UPC APPROVED	Yes
ANSI APPROVED	No
ASME APPROVED	Yes
WATERSENSE CERTIFIED	No
NSF APPROVED	No
CONNECTION SIZE	3/8"
FAUCET HOLE SIZE	1-3/8"
FAUCETS HOLE	1
HANDLE STYLE	Single handle
NUMBER OF HANDLES	1
HEIGHT	10-1/4"
HOSE LENGTH	15-3/4"
INSTALLATION TYPE	Over counter
MATERIAL	Brass
FINISH	Oil rubbed bronze
SIDESPRAY	N/A
SPOUT HEIGHT	7-1/16"
SPOUT REACH	5-15/16"
SPOUT SWIVEL	No
CARTRIDGE TYPE	Ceramic
POP-IP INCLUDED	No
MAX DECK THICKNESS	1-3/4" max



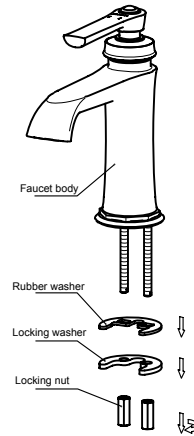


01



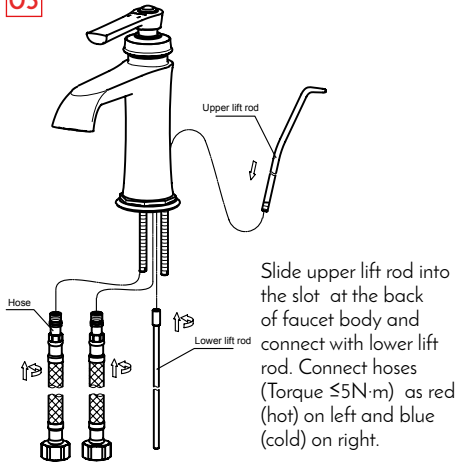
Prepare these tools.

02



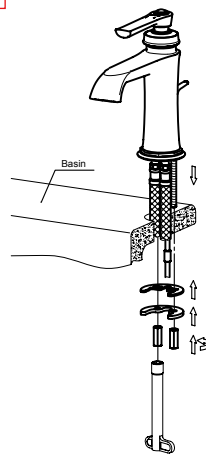
Remove locking nut, locking washer and rubber washer from faucet body.

03



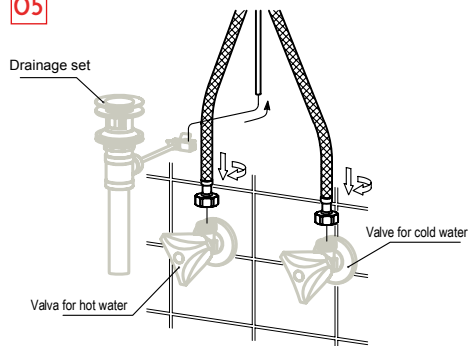
Slide upper lift rod into the slot at the back of faucet body and connect with lower lift rod. Connect hoses (Torque $\leq 5N\cdot m$) as red (hot) on left and blue (cold) on right.

04



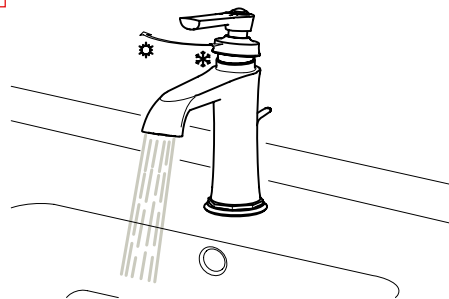
Pass faucet body through hole of basin, pad rubber washer and locking nuts, fix with locking nuts.

05



Connect hoses with valves (red on left and blue on right), connect lift rods with drainage set.

06



After installation, flow water to check if the installation is qualified. The figure displays open state of handle.

