



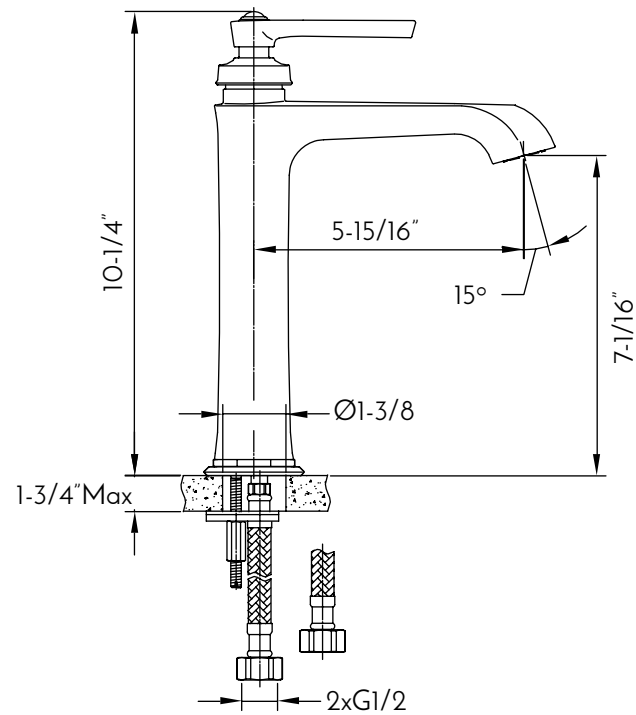
DAX-9809A-CR



BATHROOM FAUCETS **SERIES**



www.daxib.com



FEATURES

- Single Lever
- Vessel installation
- Ceramic cartridge
- Brass body
- Installation hole 1-3/8"
- Chrome finish
- Hoses and mounting parts included
- Pop up drain not included (available)





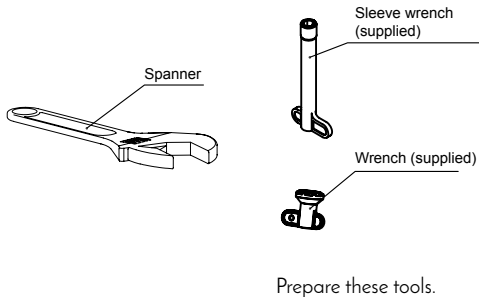
BATHROOM FAUCET **DAX-9809A-CR**

MODEL	DAX-9809A-CR
ADA	No
UPC APPROVED	Yes
ANSI APPROVED	No
ASME APPROVED	Yes
WATERSENSE CERTIFIED	No
NSF APPROVED	No
CONNECTION SIZE	3/8"
FAUCET HOLE SIZE	1-3/8"
FAUCETS HOLE	1
HANDLE STYLE	Single handle
NUMBER OF HANDLES	1
HEIGHT	10-1/4"
HOSE LENGTH	15-3/4"
INSTALLATION TYPE	Over counter
MATERIAL	Brass
FINISH	Chrome
SIDESPRAY	N/A
SPOUT HEIGHT	7-1/16"
SPOUT REACH	5-15/16"
SPOUT SWIVEL	No
CARTRIDGE TYPE	Ceramic
POP-IP INCLUDED	No
MAX DECK THICKNESS	1-3/4" max

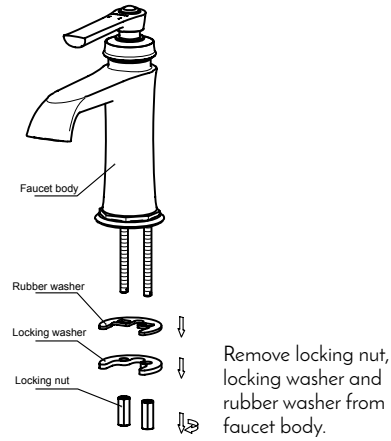




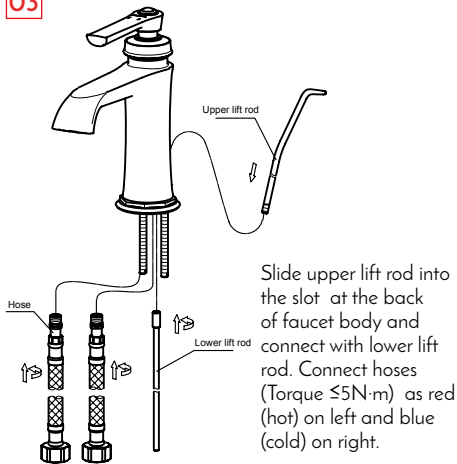
01



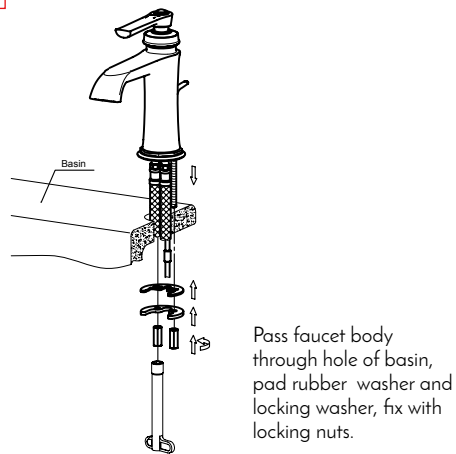
02



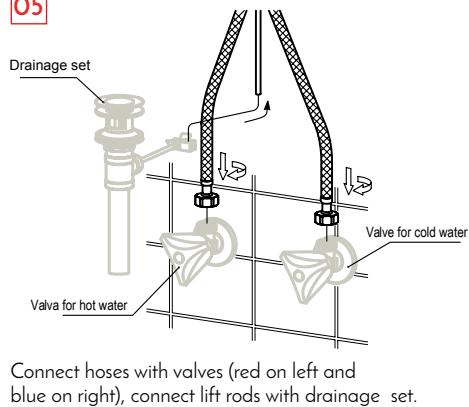
03



04



05



06

