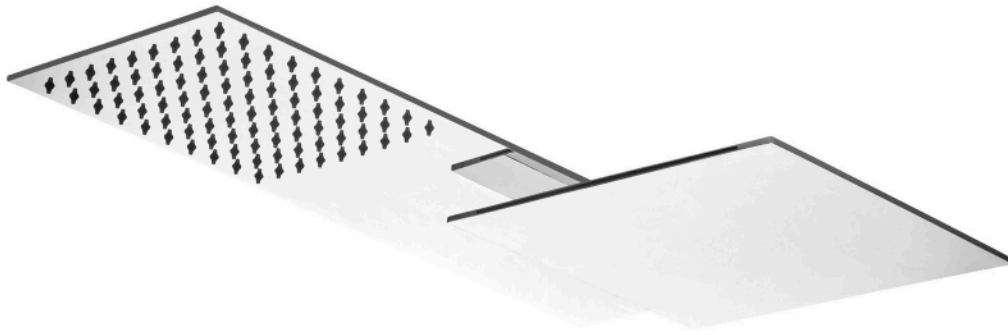


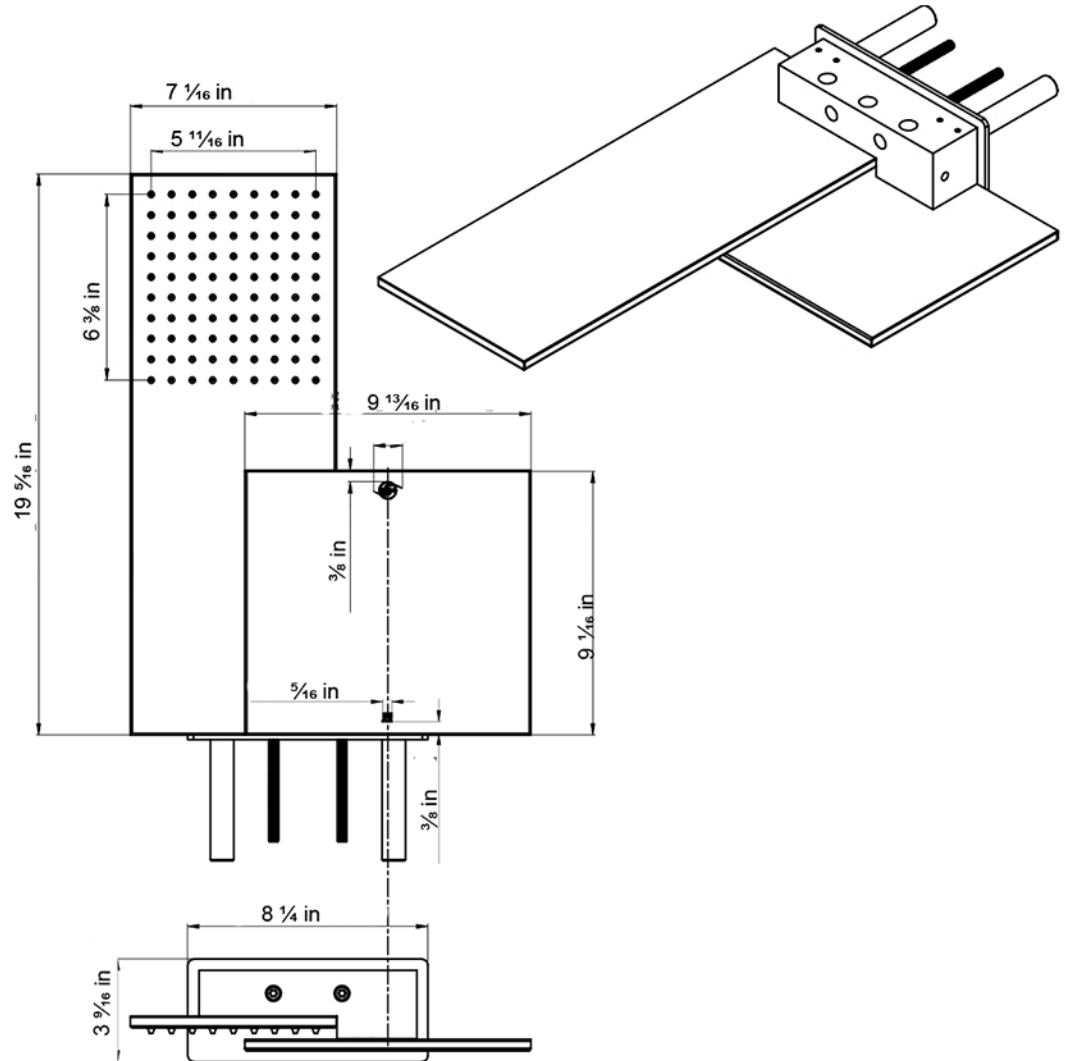


DAX-9026-CR



SHOWER HEADS **SERIES**





FEATURES

- Shower Head
- 2 Functions
- Stainless Steel
- Chrome finish







SHOWER HEAD DAX-9026-CR

MODEL	DAX-9026-CR
ADA	No
UPC APPROVED	Yes
ANSI APPROVED	No
ASME APPROVED	No
BODYSPRAYS INCLUDED	No
SHOWER HEAD FLOW RATE (GPM)	2.5
HAND SHOWER INCLUDED	No
HAND SHOWER HOSE INCLUDED	No
HAND SHOWER HOSE LENGTH	No
INSTALLATION TYPE	Wall Mounted
MATERIAL	Stainless Steel 304
SCALD GUARD	Yes
SHOWER ARM REACH	No
SHOWER ARM CONNECTION SIZE	NPT 1/2"
SHOWER HEAD	Yes
SHOWER HEAD HEIGHT	2.2M
SHOWER HEAD SHAPE	Square
SHOWER HEAD WIDTH	19-11/16" x 12-5/8"
SLIDE BAR INCLUDED	No
SPRAY PATTERN	Rain & Water fall
WATERSENSE CERTIFIED	No
WALL ELBOW DIMENSION	NPT 1/2"
FINISH	8K Mirror

For parts or sale requirements please contact our customer service department:

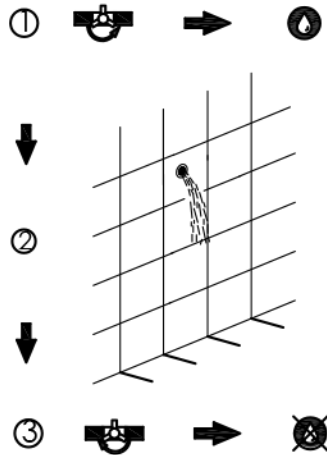
 CS@daxib.com

 1 888 685 8236

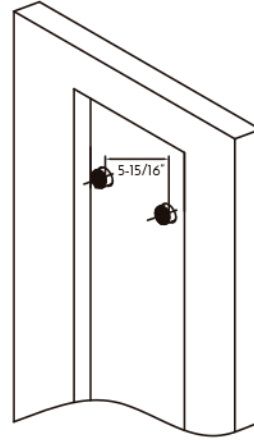




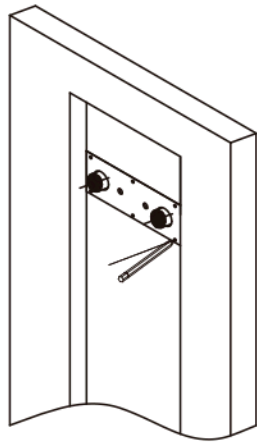
01



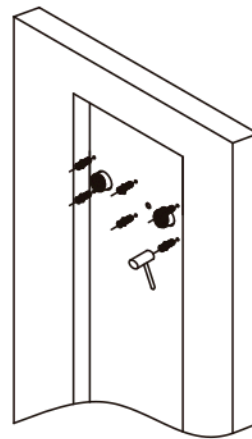
02



03

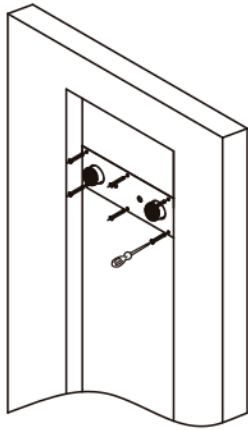


04

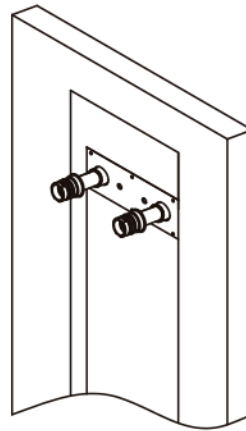




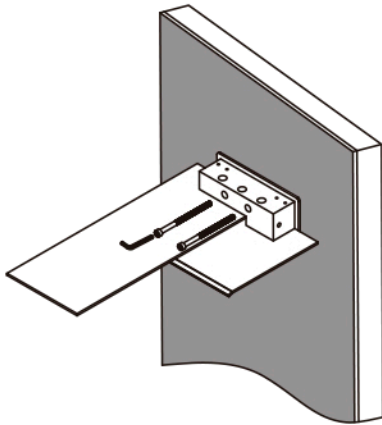
05



06



07



08

