

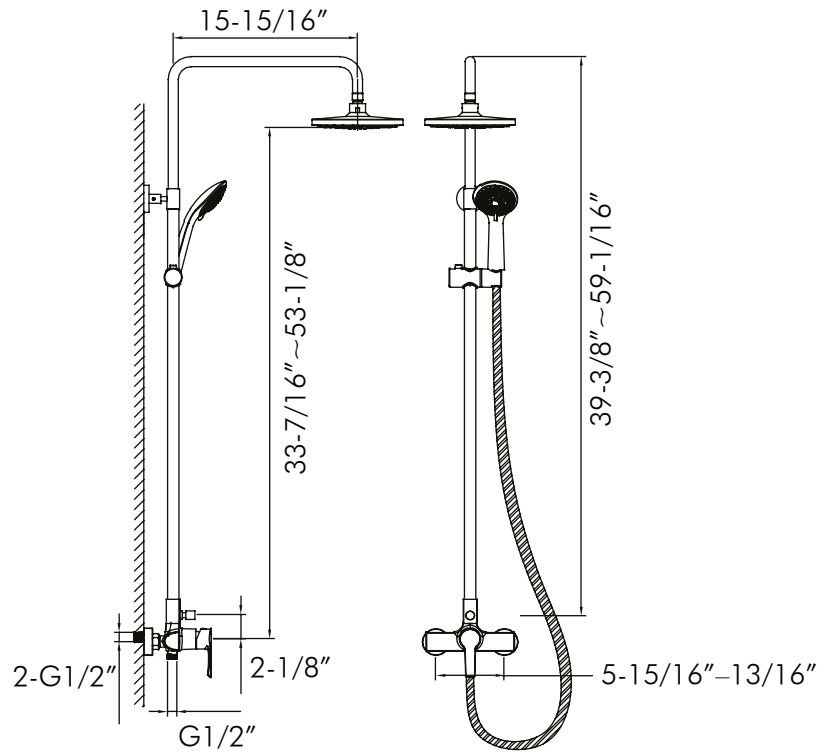


DAX-8897-BN



SHOWER SYSTEMS **SERIES**





## FEATURES

- Wall mount system
- Rainshower
- Handshower included
- Ceramic cartridge
- Valve flow rate 5.02 GPM
- Shower head flow rate 5.2 GPM
- Handshower head flow rate 4.23 GPM
- Brass body





SHOWER SYSTEM **DAX-8897-BN**

MODEL	DAX-8897-BN
BODYSPRAYS INCLUDED	NO
NUMBER OF BODYSPRAYS	NO
BODYSPRAYS CONNECTION SIZE	NO
HANDLE MATERIAL	Zinc alloy
HANDLE STYLE	Single lever
HAND SHOWER INCLUDED	YES
HAND SHOWER HOSE INCLUDED	YES
HAND SHOWER HOSE LENGTH	59-1/16"
INSTALLATION TYPE	Wall mount
MATERIAL	Brass
THERMOSTATIC	NO
FINISH	Brushed nickel



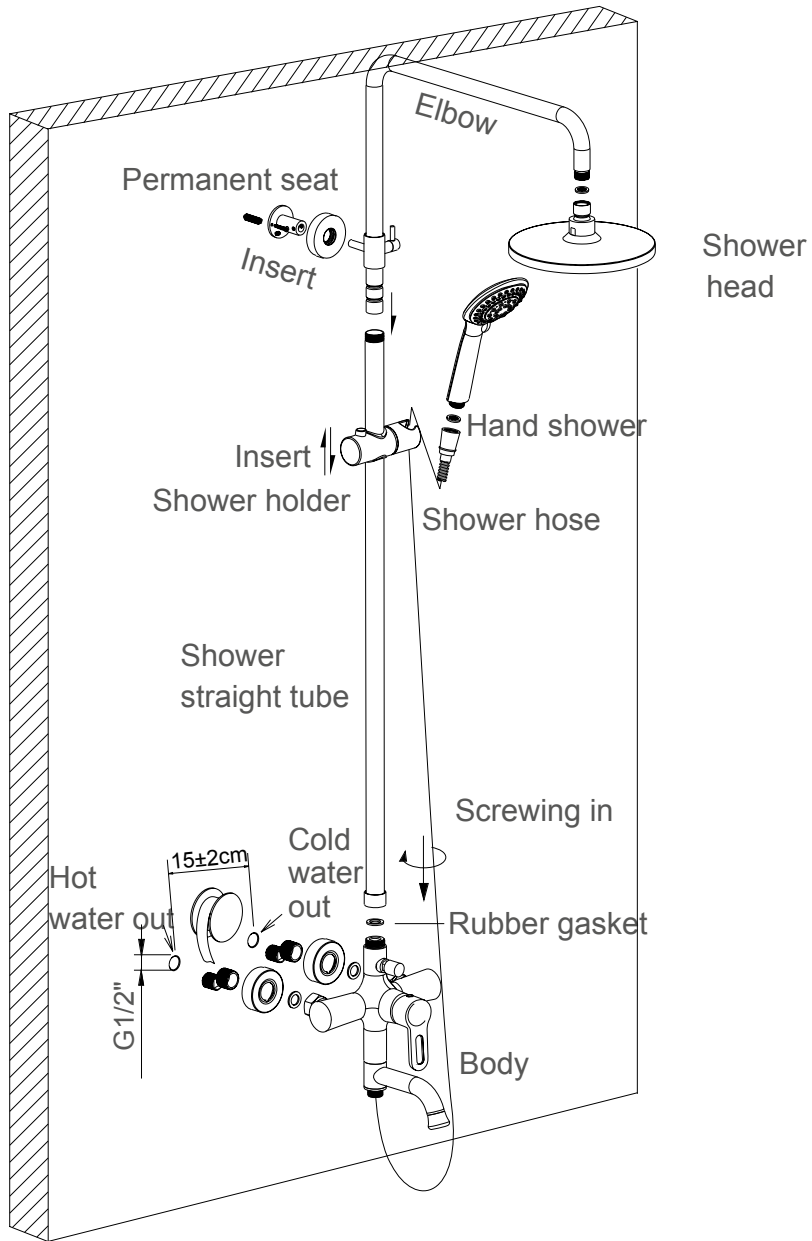




DIAGRAM NUMBER	DAX SKU	TITLE DESCRIPTION
1	12281	Silica gel buttom
2	13040	screw
3	09171	Handle
4	07113	Handle cover
5	06191	cartridge nut
6	11089	cartridge
7	04380	8997Body
8	03F-8896FSQ	8896 Divertor
8.1	06412	8896 cap
8.2	06359	3014 spring
8.3	06410	tube
8.4	12078	O-ring
8.5	12260	O-ring
8.6	06362	Screw
8.7	06411	8896 lift lod
8.8	12261	O-ring
9	12092	O-ring
10	06107	335 adaptor
11	06043	3/4 nut
12	12092	O-ring
13	06053	nut
14	12046	O-ring
15	07060	songs angle decorate cup
16	06057	songs angle
17	12118	3/4 O-ring
18	06053	nut
19	12092	O-ring
20	06220	Divertor nut

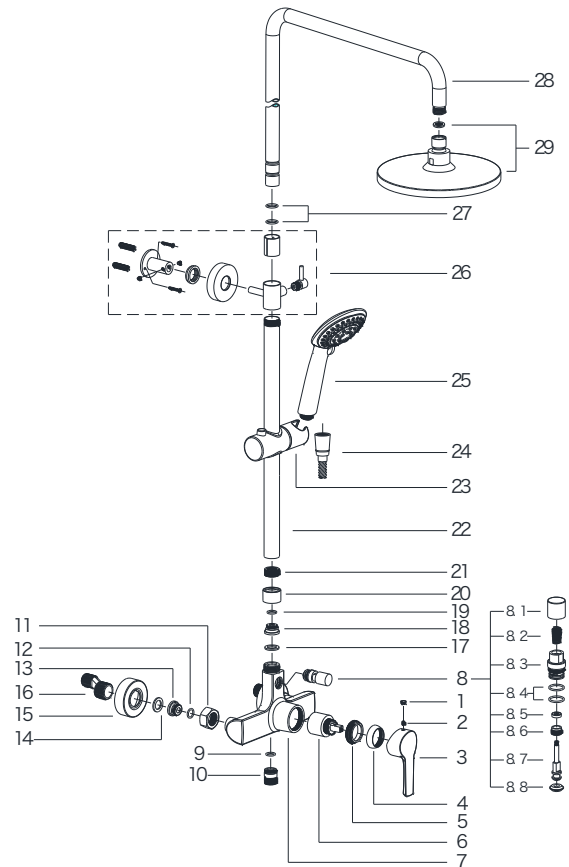
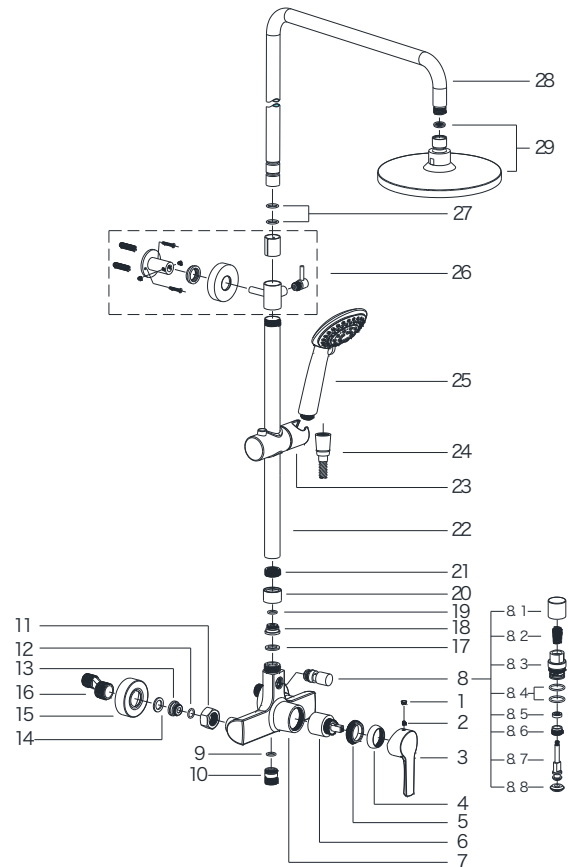




DIAGRAM NUMBER	DAX SKU	TITLE DESCRIPTION
21	06234	adaptor
22	08268	tube
23	O1A-R20-25	R20-25
24	O1A-R18	Shower hose
25	O1A-S078	Hand shower
26	03G-GDZ-25S304	permenent base
27	12211	O-ring
28	08265	seven shape tube
29	O1A-P78	Shower head



For parts or sale requirements please contact our customer service department:

 [CS@daxib.com](mailto:CS@daxib.com)

 1 888 685 8236