



DAX-8802-CR

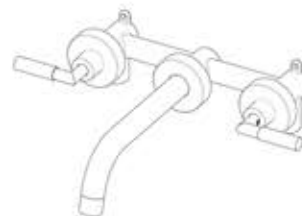
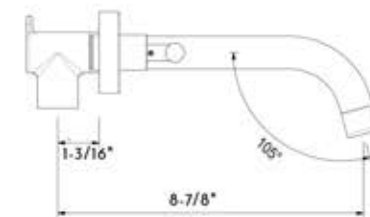
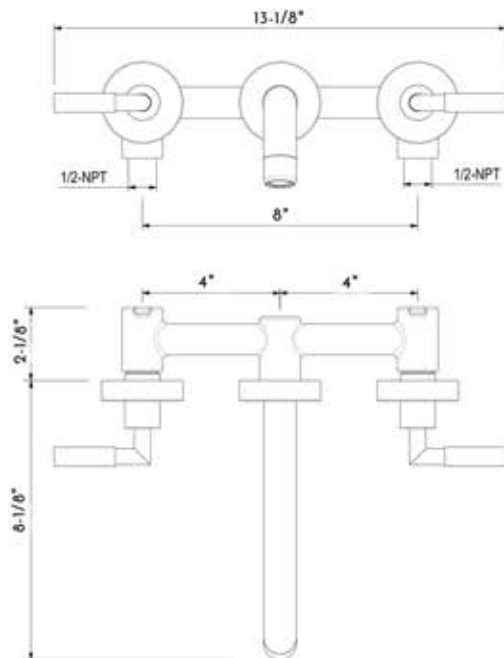


BATHROOM FAUCETS SERIES



## FEATURES

- Double Handle
- Chrome finish
- Flow Rate: 2.2 GPM at 60 PSI
- Ceramic Cartridge
- Water lines and mounting parts included





**BATHROOM FAUCET    DAX-8802-CR**

MODEL	DAX-8802-CR
MATERIAL	Brass
FINISH	Chrome
HEIGHT	3.14"
SPOUT HEIGHT	-
SPOUT REACH	-
FLOW RATE	2.2 GPM
HOT COLD INDICATORS	No
DECK PLATE INCLUDED	No
COMPATIBLE VALVE TYPE	Ceramic Cartridge
HANDLE STYLE	Double Handle
NUMBER OF HANDLES	Two
HOSE LENGHT	-
FAUCET HOLES	One
FAUCET HOLE SIZE	1-3/8"
INSTALATION TYPE	Deck Mounted
SPOUT SWIVEL	-
MAX DECK THICKNESS	-

For parts or sale requirements  
please contact our customer service department:



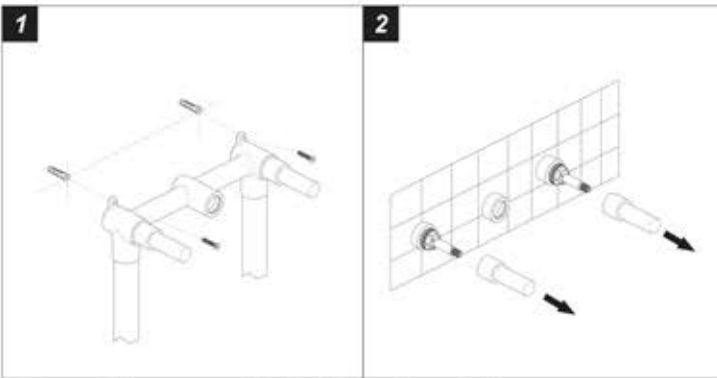
[CS@daxib.com](mailto:CS@daxib.com)



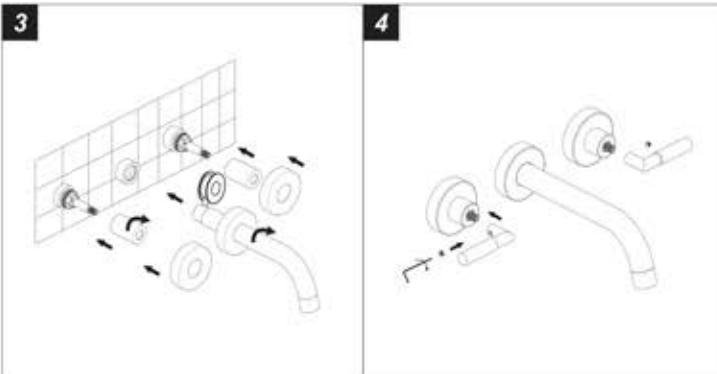
1 888 685 8236



## Step 1 Faucet Installation



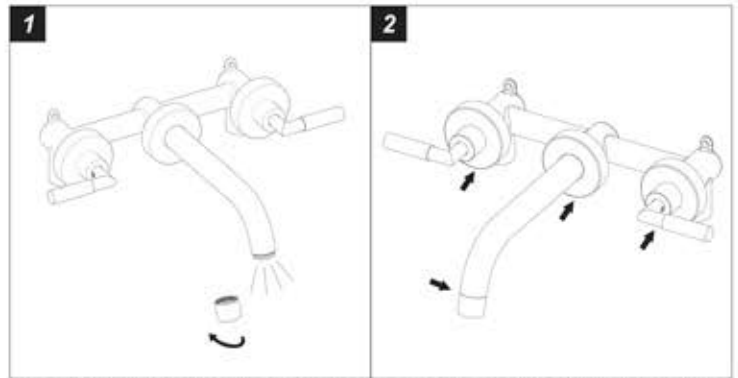
1. Determine the faucet position, and then install faucets as shown in the illustration.
2. Take out the protective cover after the wall is completed.



3. As the picture shows, first set the spout into the decoration. Then wrap the raw material tape and screw it into the embedded body. Finally screw in the two spool position sheath and decorative cover.

4. As the picture shows, install the handle at the water off position of the valve core as shown in the figure.

## Step 2 Checking and testing



1. Remove the shower by hand. Turn the faucet handle all the way on, turn on hot and cold water supply and flush water lines for one minute. Reinstall shower by hand.
2. Check all connections at arrows for leaks, re-tighten if necessary.

1. BUT DON'T OVERTIGHTEN

## Step 3 Cleaning and care

Daily cleaning and care are required in order to keep the product shining and properly working.

1. Clean it with water and dry it with soft cloth.
2. Clean the product with gentle liquid or glass cleaner.
3. Don't use acid cleaner.
4. Don't clean with abrasive material, abrasive paper or knife.

### Tips :

please DO NOT disassemble any part from product when open the box, otherwise it may cause functional problem when using.

If you receive the physical product and there are subtleties is not consistent with the picture, because we do upgrade improved products to make the products more beautiful and lasting longer.

For parts or sale requirements please contact our customer service department:

 [CS@daxib.com](mailto:CS@daxib.com)



1 888 685 8236