

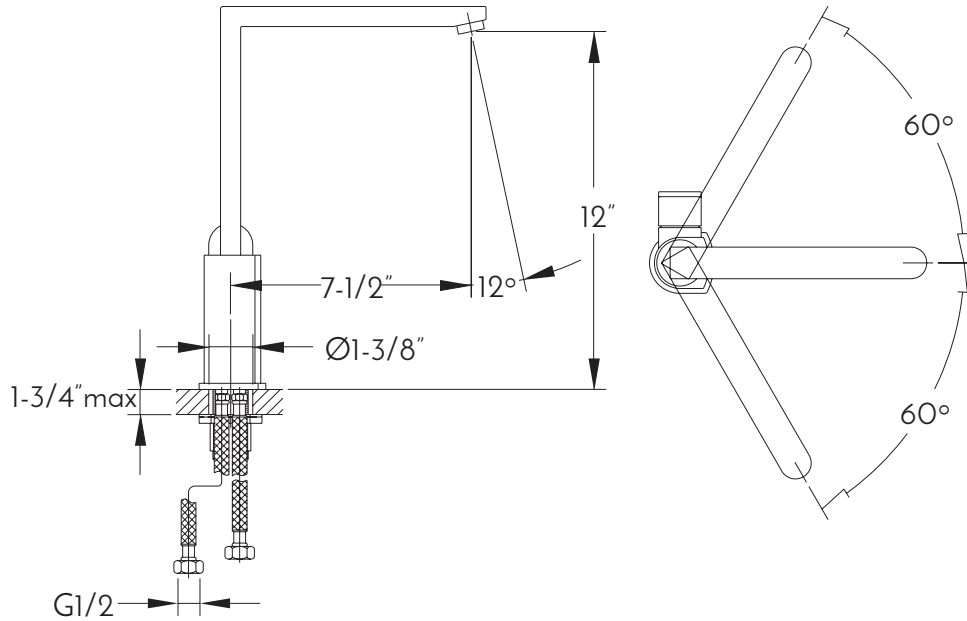


DAX-8789



KITCHEN FAUCETS SERIES





FEATURES

- Fixed shower head
- Chrome finish
- Brass body casting
- Single sprayer
- Ceramic cartridge
- Flow rate 1.8 GPM
- Height 12"
- Installation hole 1-3/8"
- Water lines and mounting parts included

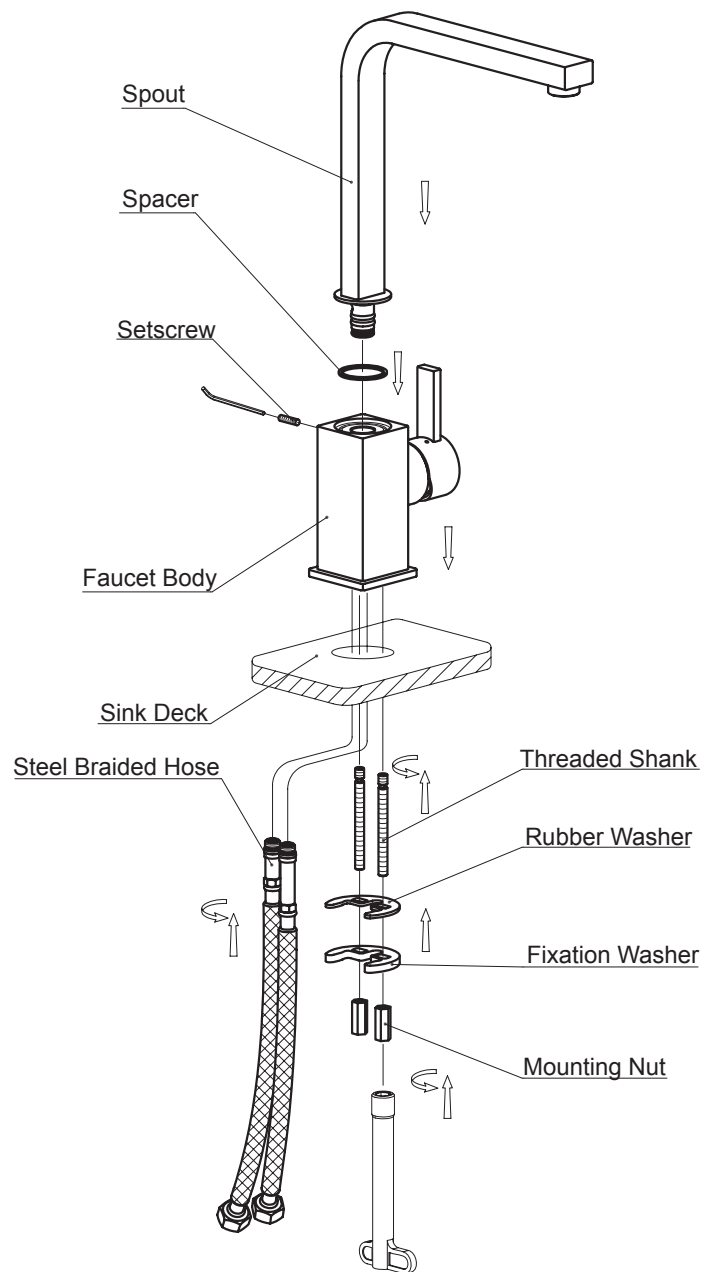




KITCHEN FAUCET **DAX-8789**

MODEL	DAX-8789
ADA	NA
UPC APPROVED	NA
ANSI APPROVED	NA
ASME APPROVED	NA
WATERSENSE CERTIFIED	NA
NSF APPROVED	NA
CONNECTION SIZE	G9/16
FAUCET HOLE SIZE	1-3/8"
FAUCETS HOLE	1 hole
FAUCET TYPE	Nozzle
FLOW RATE (GPM)	1.8 GPM at 60 PSI
HANDLE STYLE	Side lever
NUMBER OF HANDLES	1
INSTALLATION TYPE	Deck mounted
MATERIAL	Brass
FINISH	Chrome
PULL OUT SPRAY	Nozzle
PRE-RINSE	NO
SIDESPRAY	NA
SPOUT SWIVEL	360°
CARTRIDGE TYPE	Ceramic
MAX DECK THICKNESS	2"
INCLUDED COMPONENTS	Mounting parts water lines



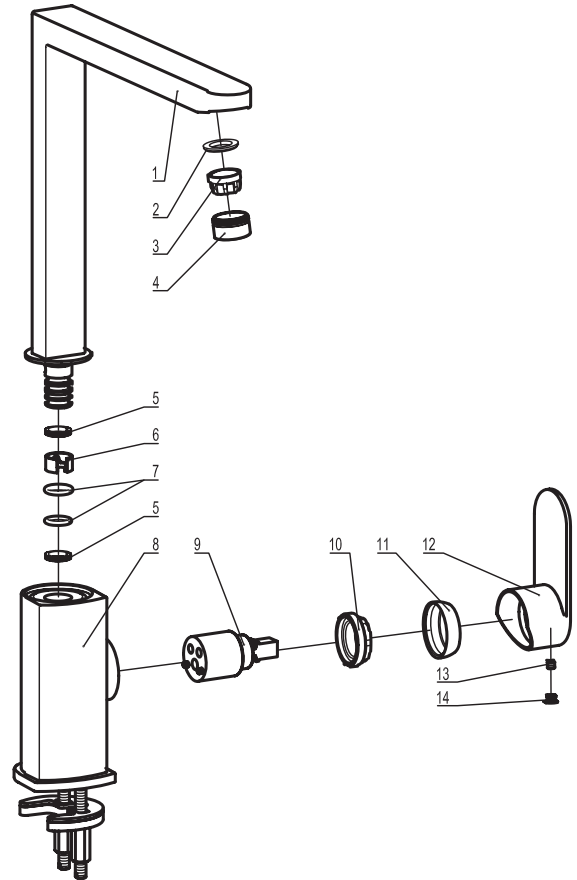


INSTALLATION STEPS

1. Screw the steel braided hoses and the threaded shanks onto the faucet body, and tighten them.
2. Slide the faucet body through the hole of the sink deck, pad the rubber washer and the fixation washer in turn, and tighten them with the mounting nut.
3. Connect the steel braided hoses and the triangles with the hot on the left and the cold on the right.
4. Insert the spacer into the slot of the faucet body, fit the spout, and tighten it with the setscrew. (Spare spacer is provided).
5. Turn on water for inspection.



DIAGRAM NUMBER	DAX SKU	TITLE DESCRIPTION
1	FH M28	Spout
2	FH TQ02-02A	Spout washer
3	FH TQ-06B	M22 aerator
4	FH TQ02-01A	Spout outer collar
5	FH M-06	Snap ring
6	FH M-08A	Plastic snap ring
7	MF 1624	Ø11.3x2.4 "O" ring
8	FH 8789-01	Faucet body
9	FH SEDAL-25	Ø25 cartridge
10	FH DB-17A	Locknut
11	FH DB-18A	Cartridge decorative ring
12	FH D71-01	Handle
13	FH TJ-30504	M5X4 Internal Hex flat end locking screw
14	FH D38A-02	Decorative cap



For parts or sale requirements please contact our customer service department:

 CS@daxib.com

 1 888 685 8236