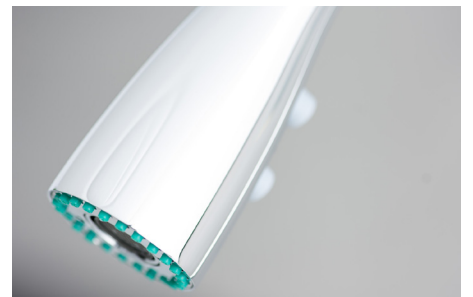




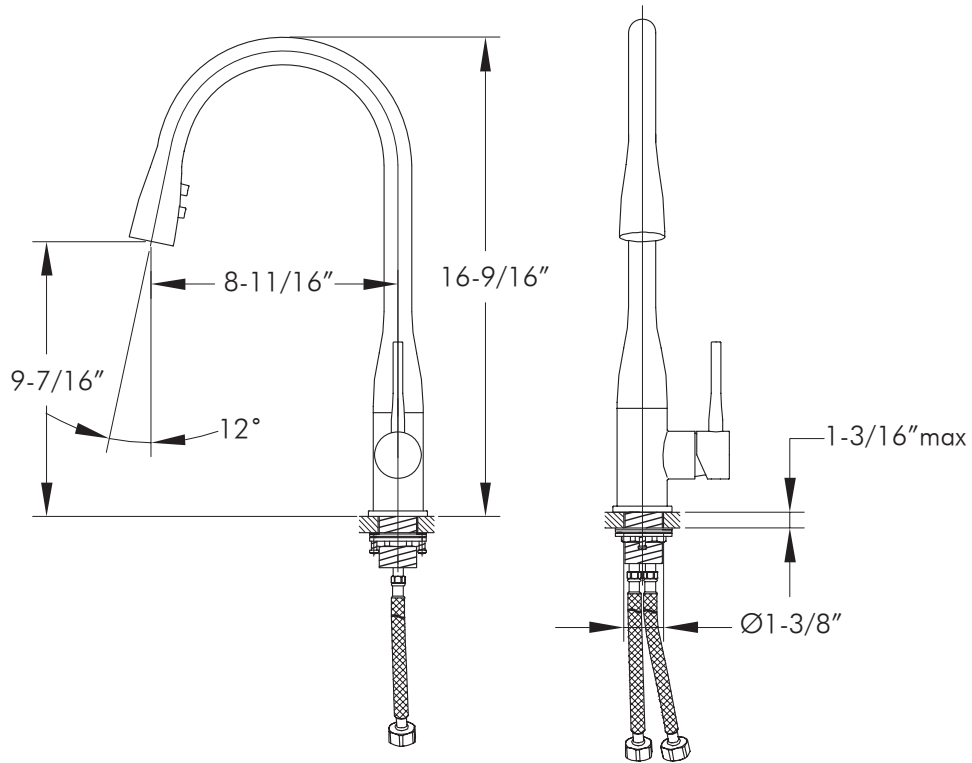
DAX-8763



KITCHEN FAUCETS **SERIES**



www.daxib.com



FEATURES

- Fixed shower head
- Chrome finish
- Brass body casting
- Dual sprayer
- Ceramic cartridge
- Flow rate 1.8 GPM
- Height 16-9/16"
- Installation hole 1-3/8"
- Water lines and mounting parts included

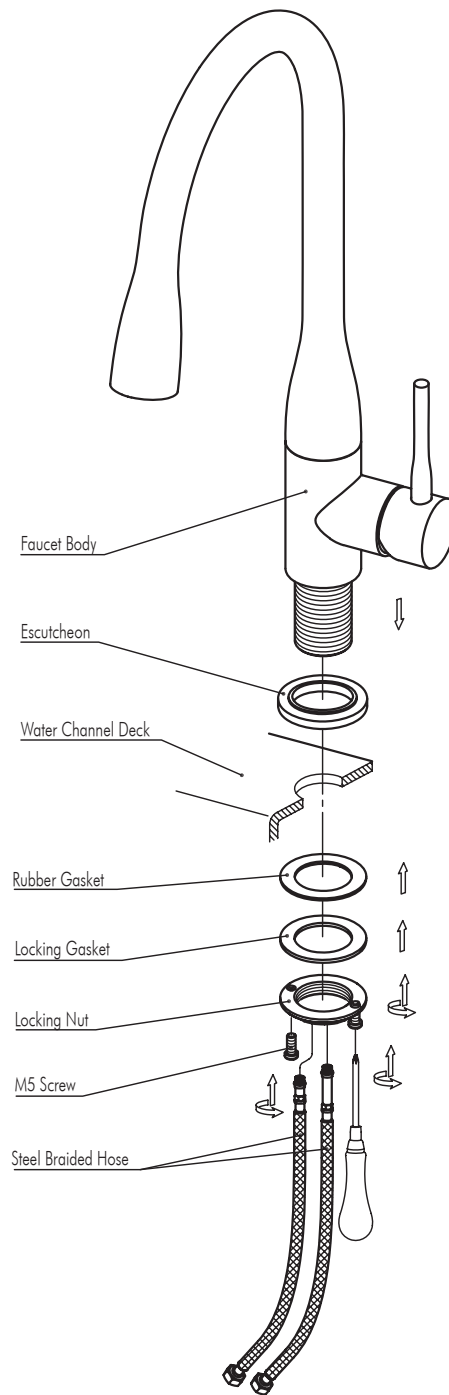




KITCHEN FAUCET DAX-8763

MODEL	DAX-8763
UPC APPROVED	YES
ANSI APPROVED	YES
ASME APPROVED	YES
WATERSENSE CERTIFIED	NO
NSF APPROVED	Passed
CONNECTION SIZE	G9/16-15-3/4"
FAUCET HOLE SIZE	1-3/8"
FAUCETS HOLE	1 hole
FAUCET TYPE	Contemporary kitchen faucet
FLOW RATE (GPM)	2.2 gpm
HANDLE STYLE	Lever handle
NUMBER OF HANDLES	1
INSTALLATION TYPE	Deck mounted
MATERIAL	Brass
FINISH	Chrome
PULL OUT SPRAY	NA
PRE-RINSE	NO
SIDESPRAY	NO
SPOUT REACH	8" - 10"
SPOUT SWIVEL	360°
SPOUT TYPE	Gooseneck spout
CARTRIDGE TYPE	Kerox
MAX DECK THICKNESS	0-1-3/8"
INCLUDED COMPONENTS	Mounting parts water lines





INSTALLATION STEPS

1. Install water supply lines in accordance with this manual.
2. Floor drain should be installed in the location of the faucet.
3. Install the faucet only after the completion of house interior decoration in case paint or other chemicals erode the faucet surface.
4. Clean pipes to get rid of mud, sand or other debris blocked in pipes.
5. After installation, check all the joints to make sure they are firmly connected. Then keep water flow. Turn on and off repeatedly to ensure there is no leakage around the joints. At this stage, the product is ready for normal use.

