



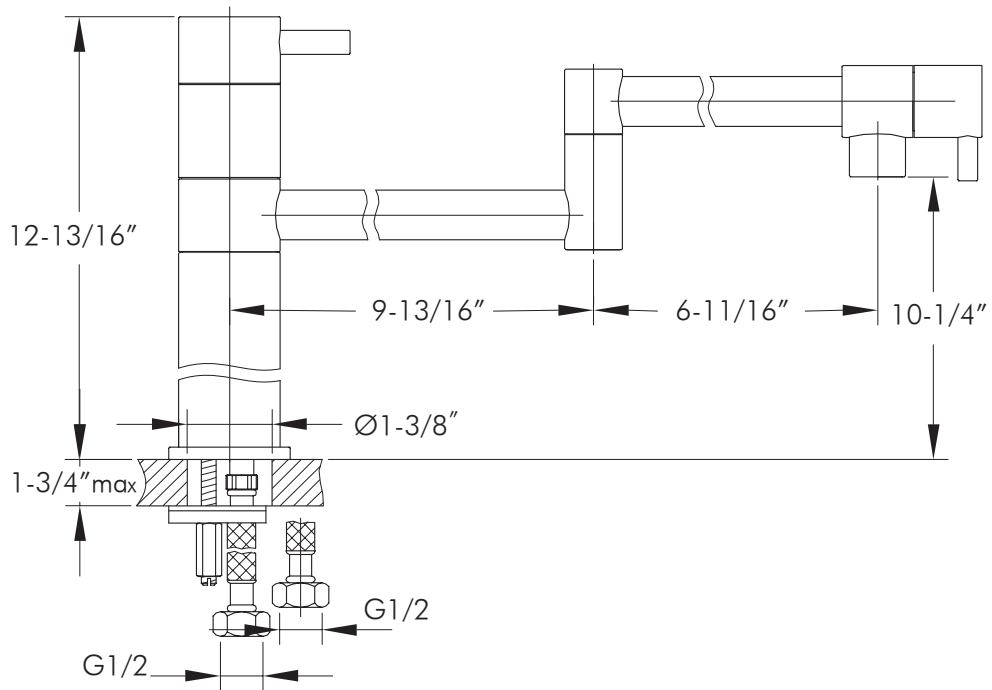
DAX-8729



KITCHEN FAUCETS SERIES



[www.daxib.com](http://www.daxib.com)



## FEATURES

- Fixed shower head
- Chrome finish
- Brass body casting
- Single sprayer
- Ceramic cartridge
- Flow rate 1.8 GPM
- Height 12-13/16"
- Installation hole 1-3/8"
- Water lines and mounting parts included

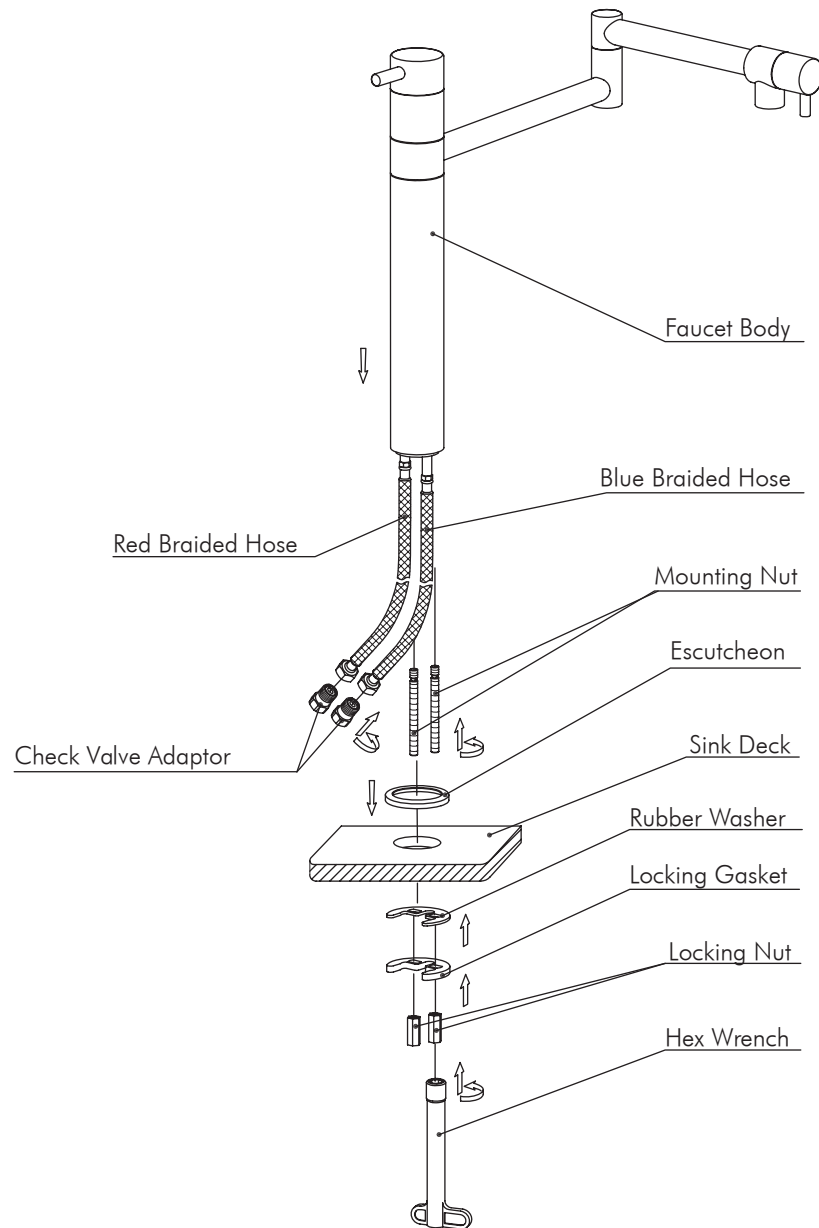




**KITCHEN FAUCET DAX-8729**

|                      |                                |
|----------------------|--------------------------------|
| MODEL                | DAX-8729                       |
| UPC APPROVED         | YES                            |
| ANSI APPROVED        | YES                            |
| ASME APPROVED        | YES                            |
| WATERSENSE CERTIFIED | NO                             |
| NSF APPROVED         | YES                            |
| CONNECTION SIZE      | G9/16-15-3/4"                  |
| FAUCET HOLE SIZE     | 1-3/8"                         |
| FAUCETS HOLE         | 1 hole                         |
| FAUCET TYPE          | Kitchen                        |
| FLOW RATE (GPM)      | 1.8 GPM at 60 PSI              |
| HANDLE STYLE         | Lever handle                   |
| NUMBER OF HANDLES    | 1                              |
| HEIGHT               | 13"                            |
| INSTALLATION TYPE    | Deck mounted                   |
| MATERIAL             | Brass                          |
| FINISH               | Chrome                         |
| PULL OUT SPRAY       | NA                             |
| SIDESPRAY            | NO                             |
| SPOUT REACH          | 8" - 10"                       |
| SPOUT SWIVEL         | 360°                           |
| CARTRIDGE TYPE       | Ceramic                        |
| MAX DECK THICKNESS   | 0-1-3/8"                       |
| INCLUDED COMPONENTS  | Water lines and mounting parts |





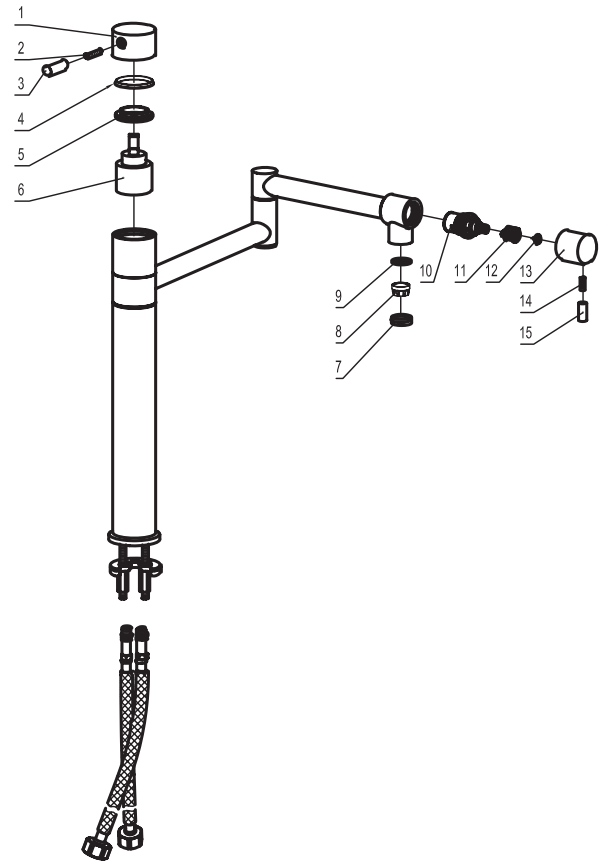
### INSTALLATION STEPS

1. Install water supply lines in accordance with this manual.
2. Floor drain should be installed in the location of the faucet.
3. Install the faucet only after the completion of house interior decoration in case paint or other chemicals erode the faucet surface.
4. Clean pipes to get rid of mud, sand or other debris blocked in pipes.
5. Check whether the threads can be matched. Otherwise, too strong force applied to the wrench will damage the faucet.
6. After installation, check all the joints to make sure they are firmly connected. Then keep water flow.
7. Turn on and off repeatedly to ensure there is no leakage around the joints. At this stage, the product is ready for normal use.





| DIAGRAM NUMBER | DAX SKU     | TITLE DESCRIPTION          |
|----------------|-------------|----------------------------|
| 1              | FH 639-01A  | Handle                     |
| 2              | FH TJ-50525 | M5x15 cross recessed screw |
| 3              | FH 608-02   | Handle body                |
| 4              | FH 639-02   | M4x6 stop screw            |
| 5              | FH 639-02   | Handle core                |
| 6              | FH 639-02   | B09B Head valve            |
| 7              | FH 8623-04  | Φ18.5xΦ12.6X2.8 washer     |
| 8              | FH TQ-06B   | M22 aerator                |
| 9              | FH 8223-11  | Spout inner collar         |
| 10             | FH TB-09B   | Φ35 cartridge              |
| 11             | FH 623-02A  | Locknut                    |
| 12             | FH T-02A    | Plastic isolated ring      |
| 13             | FH 625-01   | Handle                     |
| 14             | FH TJ-50515 | M5x25 cross recessed screw |
| 15             | FH 607-02A  | Handle body                |



For parts or sale requirements please contact our customer service department:

 [CS@daxib.com](mailto:CS@daxib.com)

 1 888 685 8236

